

Charlton & Jenrick^{LTD}

Best of British fires, fireplaces & stoves



PANACHE 56 CF GAS STOVE

Instruction for User, Installation & Servicing

For use in the UK

Contents

Instruction for User, Installation & Servicing	0
Benchmark Scheme	2
Introduction	3
Consumer Protection Information	3
Important Information	4
Lighting the Appliance & General Operation of Control	5
Cleaning the Panache Gas stove	7
Changing the Stove Batteries	10
Fuel Bed Layout	11
Technical Specification	14
Siting the Appliance	15
Commissioning the Appliance	23
Annual Service Requirement	27
Maintenance	28
Short Spares List	34
Your Fire Years Parts Extended Warranty	37
Four Year Service Log Details	38
GAS FIRE COMMISSIONING CHECKLIST	39
Register Your 12 Month Warranty with Us Today	40

Benchmark Scheme

Charlton and Jenrick Ltd is a licensed member of the Benchmark Scheme which aims to improve the standards of installation and commissioning of domestic heating and hot water systems in the UK and to encourage regular servicing to optimize safety, efficiency and performance. Benchmark is managed and promoted by the Heating and Hotwater Industry Council. For more information and the full code of practice please visit www.centralheating.co.uk



Please ensure that the installer has fully completed the Benchmark Checklist on the inside back pages of the installation instructions supplied with the product and that you have signed it to say that you have received a full and clear explanation of its operation. The installer is legally required to complete a commissioning checklist as a means of complying with the appropriate Building Regulations (England and Wales).

All installations must be notified to Local Area Building Control either directly or through a Competent Persons Scheme. A Building Regulations Compliance Certificate will then be issued to the customer who should, on receipt, write the Notification Number on the Benchmark Checklist.

This product should be serviced regularly to optimize its safety, efficiency and performance. The service engineer should complete the relevant Service Record on the Benchmark Checklist after each service.

The Benchmark Checklist will be required in the event of any warranty.

It is a requirement that the gas fire is installed and commissioned to the manufacturer's instructions and the data fields on the commissioning checklist completed in full.

To instigate the guarantee, the gas fire needs to be registered with the manufacturer within one month of the installation.

To maintain the guarantee, it is essential that the gas fire is serviced annually by a Gas Safe registered engineer. The service details should be recorded on the Benchmark Service Interval Record and left with the householder.

PANACHE 56 CF GAS STOVE USER INSTRUCTIONS

Introduction

The Panache 56 CF Gas Stove has been designed and tested to the requirements of EN 613:2021 & BS7977-1:2009+A1:2013 and is suitable for use in UK.

The Panache 56 CF slide control incorporates a single gas control, which selects ignition pilot, and main burner low and high settings.

The Panache 56 CF Gas Stove incorporates a safety device in form of an Oxygen Depletion System, which constantly monitors the oxygen in the room and will cause the fire to switch off if the oxygen level reduces, for instance due to insufficient ventilation or a blocked flue.

Consumer Protection Information

As manufacturers and suppliers of heating products, we take every care to ensure that the design and construction meets the general safety requirements when properly used and installed. To this end, our products are thoroughly tested and examined before dispatch.

Any alteration that is not approved by the manufacturer could invalidate the approval of the appliance and operation of the warranty and could affect your statutory rights.

This appliance could contain some materials that could be interpreted as being injurious to health. It is the users / installers responsibility to wear protective clothing when handling the following materials. Artificial fuel, mineral wool, insulation material, refractory/ceramic fibers, and glass yarn. May be harmful if inhaled, may be irritating to skin, eye, nose, and throat.

When disposing refractory / ceramic materials to keep dust to a minimum their materials should be securely wrapped in polythene and clearly labelled "RCF waste". These materials are not classified as hazardous waste and should be disposed of at a site licensed for disposal of industrial waste.

PANACHE 56 CF GAS STOVE USER INSTRUCTIONS

Important Information

The appliance is for use on Natural Gas Only (G20 @ 20mbar)

The Chimney or flue (unless new or previously used with a gas appliance) shall be swept before installation if been used for solid fuel.

In UK, the appliance must be installed by a competent person whose name appears on the gas safe register. All Gas Safe engineers should possess an ID carrying the logo below.

The glass front of this appliance acts as a dress guard, conforming to BS 1945 (1997) however a fireguard to BS6539 (1997) must be used to protect young children, the elderly or infirm.



The Appliance must not be used with the glass safety screen removed or if it is damaged or cracked.

During initial "burn off", an odour may be evident during the first few hours of use. This is due to the surface coating on the metal work. The odour produced is harmless and will disappear after a short period of time.

During the normal operation of the fire some black staining may appear on some parts of the fuel bed. This is quite normal. However, if excessive black staining occurs it may be due to the fuel bed shapes being laid incorrectly. This should be checked prior to contacting a service engineer.

Care must be taken to prevent any damage being caused to surrounding soft furnishing or decoration. Many embossed vinyl coverings may become discolored if placed too close to the appliance. It is suggested that a sample of the proposed wall covering should be placed above the appliance at its hottest point first. The appliance should then be run at a high rate over a couple of days.

It is advised that this appliance is serviced annually as recommended by Gas Safe. This is more likely to provide trouble-free operation and is a requirement of the extended warranty.

In the UK fire does not normally require purpose-built ventilation, but if any special reason purpose-built ventilation is provided it should be checked periodically to ensure freedom from obstructions.

This appliance is fitted with a spillage monitoring system. The following points must be followed.

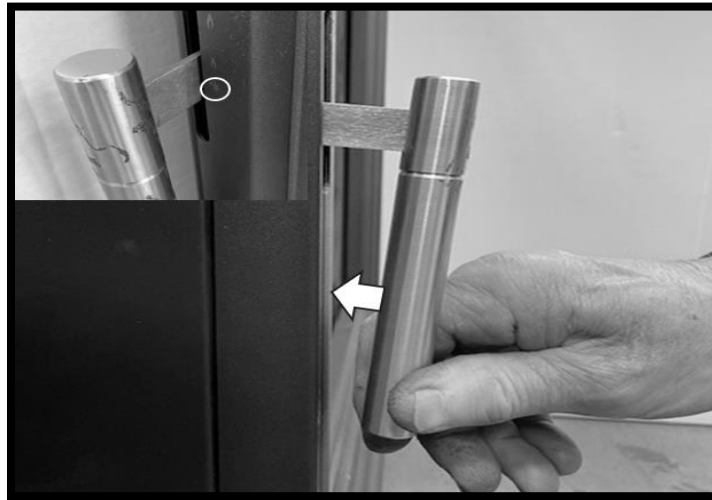
- Oxy-pilot unit fitted to the appliance must not be adjusted by the installer.
- The oxy-pilot assembly must not be by passed.
- All gas carrying parts including the oxy-pilot unit should only be changed for genuine manufactures replacement parts.

If the spillage monitoring system is repeatedly activated, a flue specialist should be involved to determine the primary issue.

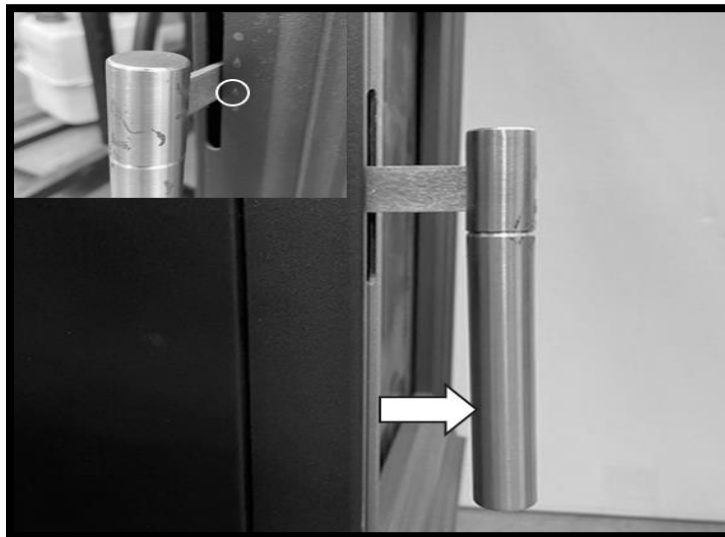
PANACHE 56 CF GAS STOVE USER INSTRUCTIONS

Lighting the Appliance & General Operation of Control

The full lighting procedure is as follows and the user should be in a standing position when operating the control. Push the door handle down as far as possible, a clicking noise will be heard and the pilot and the main burners will light. **HOLD DOWN FIRMLY FOR 20 SECONDS.** Prior to releasing the handle, push down more firmly for a few seconds.



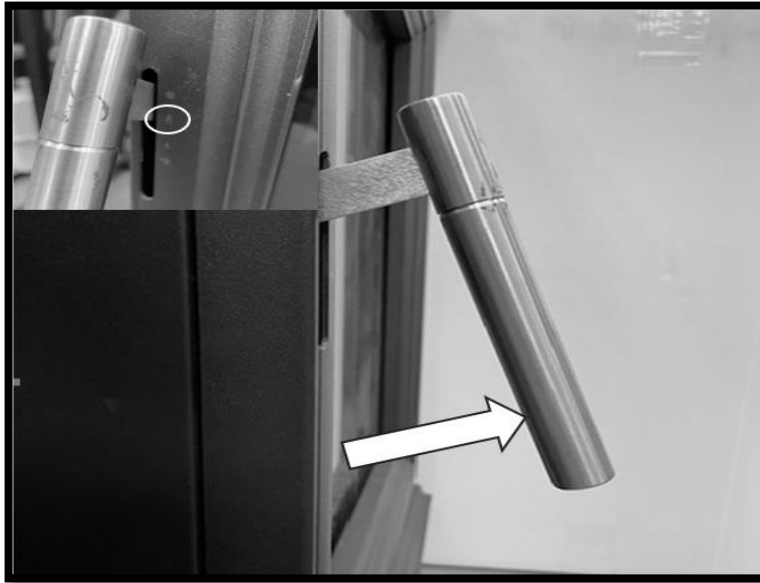
By releasing the handle, the control will spring into its low-rate position with the pilot and the main burners will still be alight.



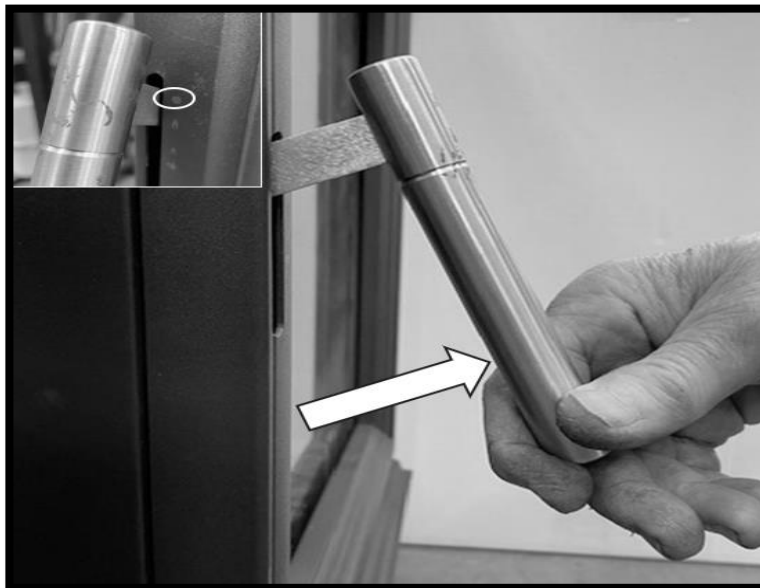
Should the pilot and main burners fail to light, pull the handle up to turn off the appliance, wait 3 minutes and repeat the ignition procedure above. If the pilot does not light, and no clicking noise is heard, replace the batteries with good quality alkaline batteries (such as Energizer) and try again.

PANACHE 56 CF GAS STOVE USER INSTRUCTIONS

After lighting the pilot flame and the main burner are on its low setting, the control handle may be lifted to the full rate icon on the door decal plate, this will put the burner on its high setting.



To extinguish the stove, pull the handle up past the high-rate position to its full extension.



The fire may be operated on either its low or high setting. It is recommended that the appliance is operated on its high setting for a short period, before adjusting to the low setting. If the ignition does not operate, fit a new good quality 1.5V AA alkaline battery to the ignition unit, located behind the fret, adjacent to the gas inlet pipe, and repeat ignition procedure prior to reporting a fault.

Note: - If the ignition fails, the pilot can be lit with a taper or a match held at the pilot's head.
(Please note that the glass panel will need to be removed to gain access to the pilot)

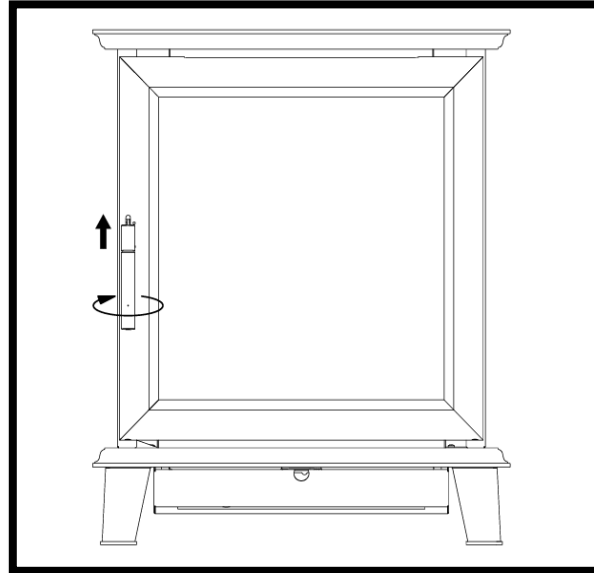
PANACHE 56 CF GAS STOVE USER INSTRUCTIONS

Cleaning the Panache 56 CF Gas Stove

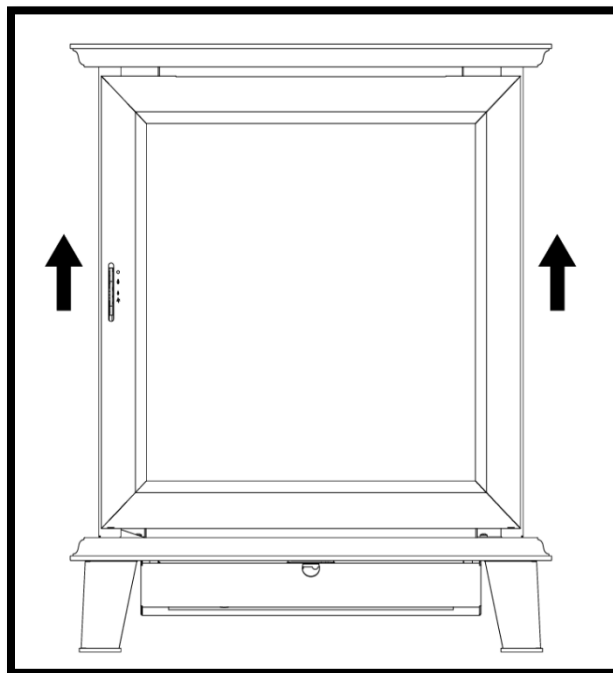
Ensure the appliance is cold before proceeding.

Removal of the glass panel.

Rotate the bottom section of the handle antilockwise and remove, this will then allow the top section of the handle to be lifted off.

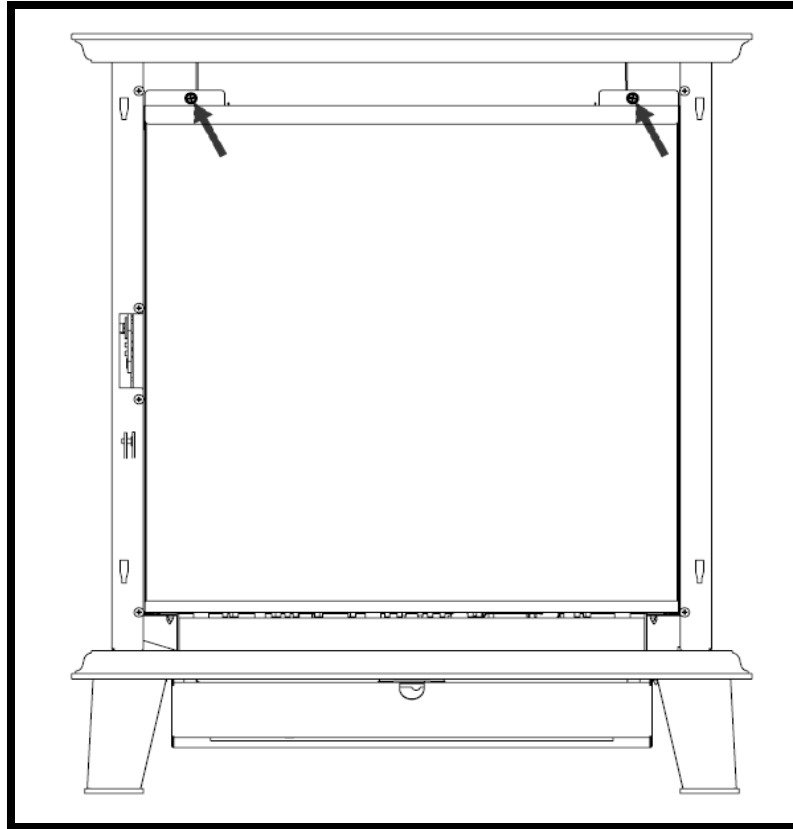


With the handle now removed, lift the door frame up and out from the main fire box assembly.



PANACHE 56 CF GAS STOVE USER INSTRUCTIONS

Remove the two screws from the top glass retaining bracket and lift the glass up and out of the bottom channel.



Using damp cloth and warm soapy water will remove most stains. For more substantial marking we recommend the use of a ceramic hob cleaner. These are available from all leading supermarkets. The brands of hob cleaner we have tested and found suitable are "Hob brite" & "Bar Keepers Friend". Ensure the glass is dry and reassembled.

Note- Never operate the appliance when the glass panel is removed or broken. The glass may discolour quickly when first installed, and it should be cleaned. This is due to the burning of the refractory fuel bed shapes.

To Clean the Pilot assembly.

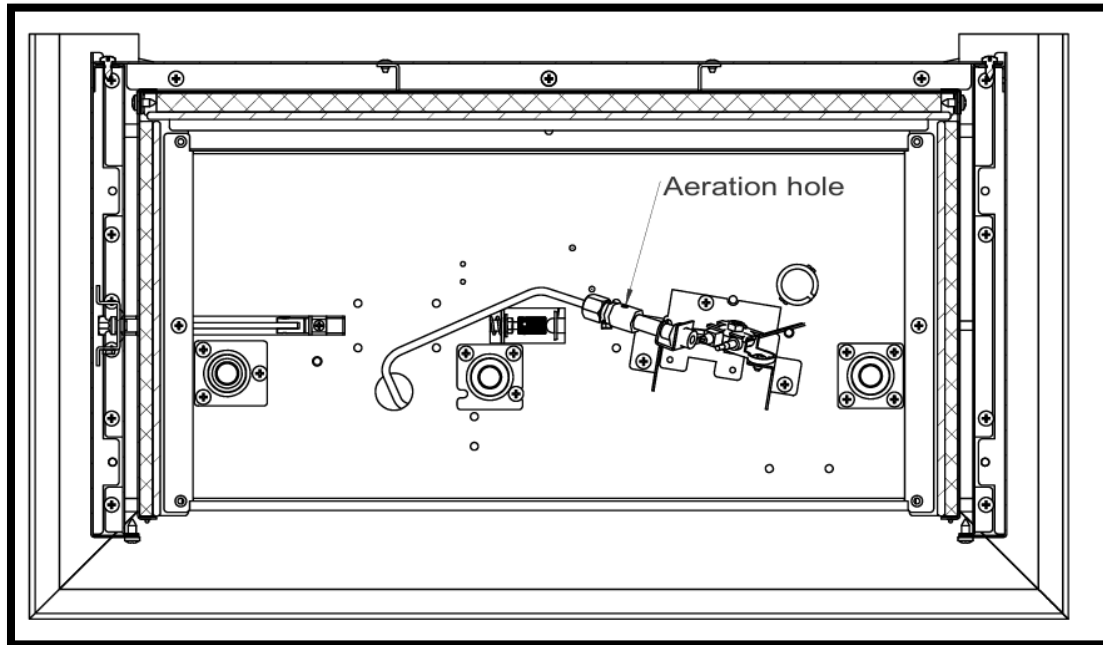
Remove the glass panel as described above. Remove the log and base ember shapes following the guidance on the set out below.

The pilot is located on the right-hand front of the appliance, remove any debris in or around the pilot head and the aeration hole. (Note the aeration hole is positioned below the main engine assembly, please see page 27 remove burner mounting plate).

PANACHE 56 CF GAS STOVE USER INSTRUCTIONS

This can be achieved using the nozzle of a vacuum cleaner. It is advisable not to blow the debris within the pilot's head as this may cause more of a restriction and not rectify the problem.

Note-Take care when cleaning this area so as not to damage the pilot assembly.



Cleaning the fuel bed shapes. (Please refer to customer protection information on page 3 of this booklet before cleaning or replacing any refractory materials).

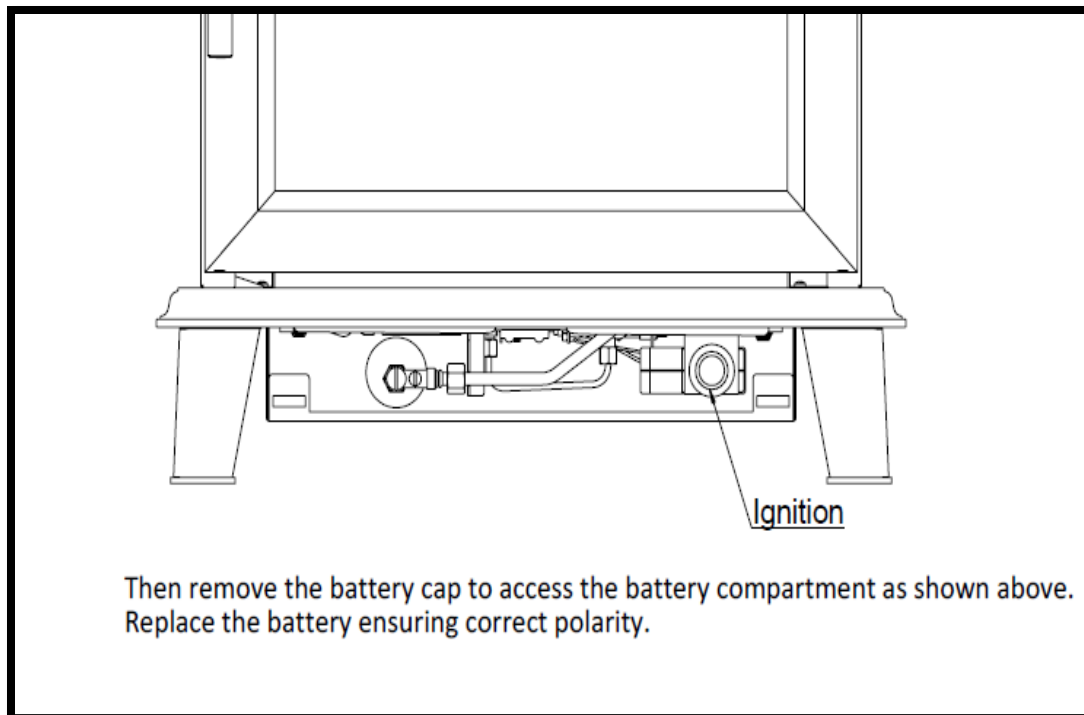
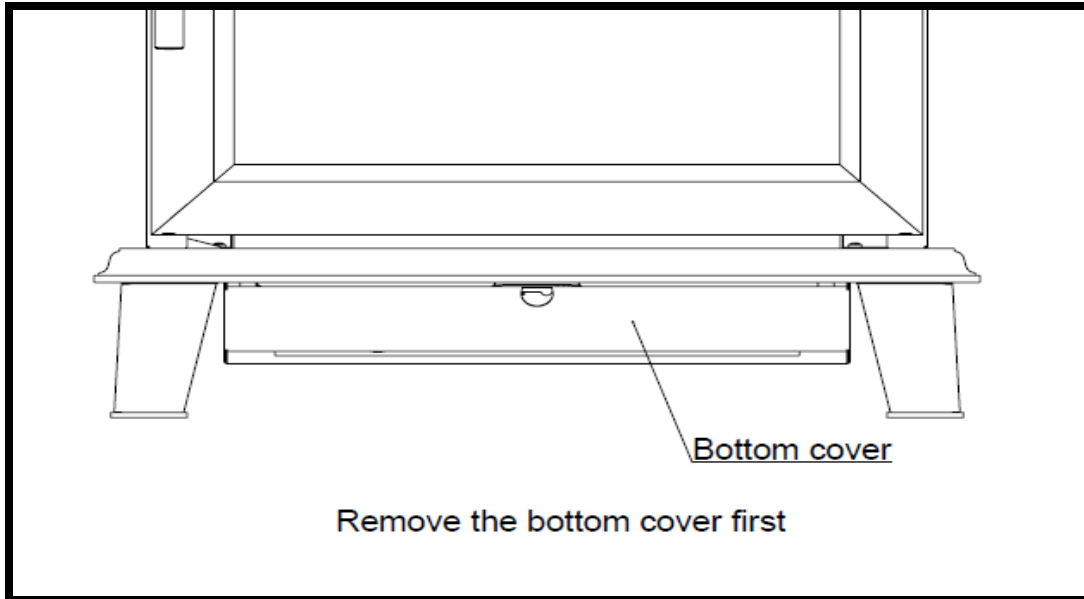
The fuel bed components are delicate, and they should be handled with great care. They can be brushed very gently with a soft brush to remove dust or any deposits. A vacuum cleaner may only be used after the loose components and molded shapes have been removed from the Panache 56 CF Gas Stove.

It is important that all fuel bed shapes are positioned as shown in these instructions.

PANACHE 56 CF GAS STOVE USER INSTRUCTIONS

Changing the battery.

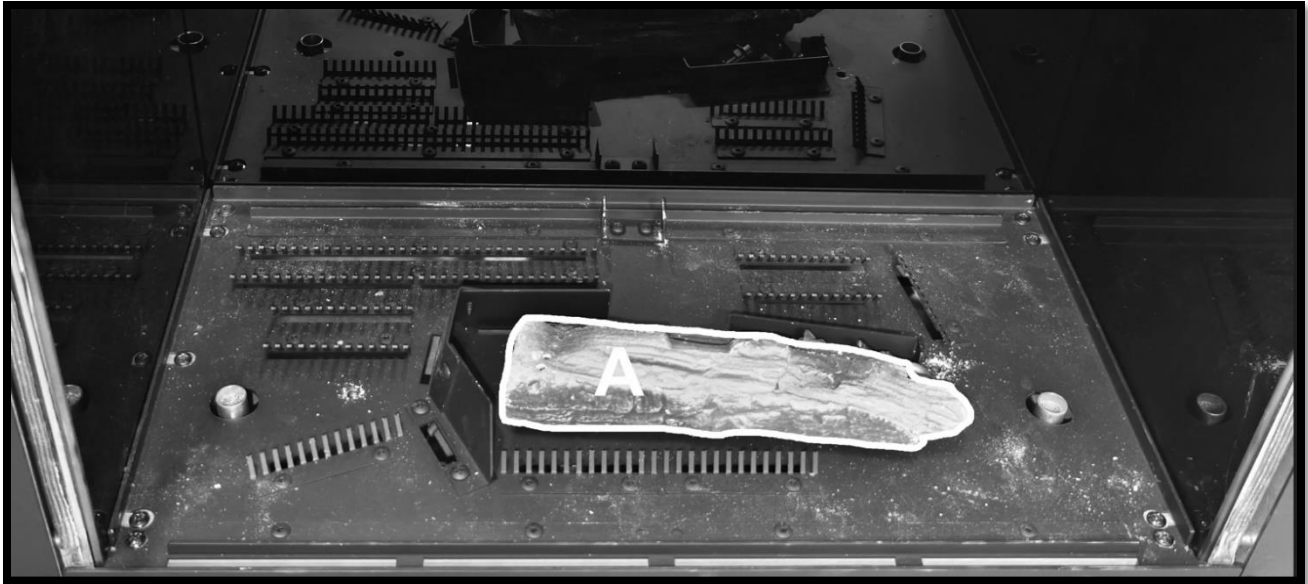
From time to time depending on usage the battery in the appliance will need to be changed. We recommend a good quality Alkaline battery AA 1.5V to be used. To gain access and change over the new battery.



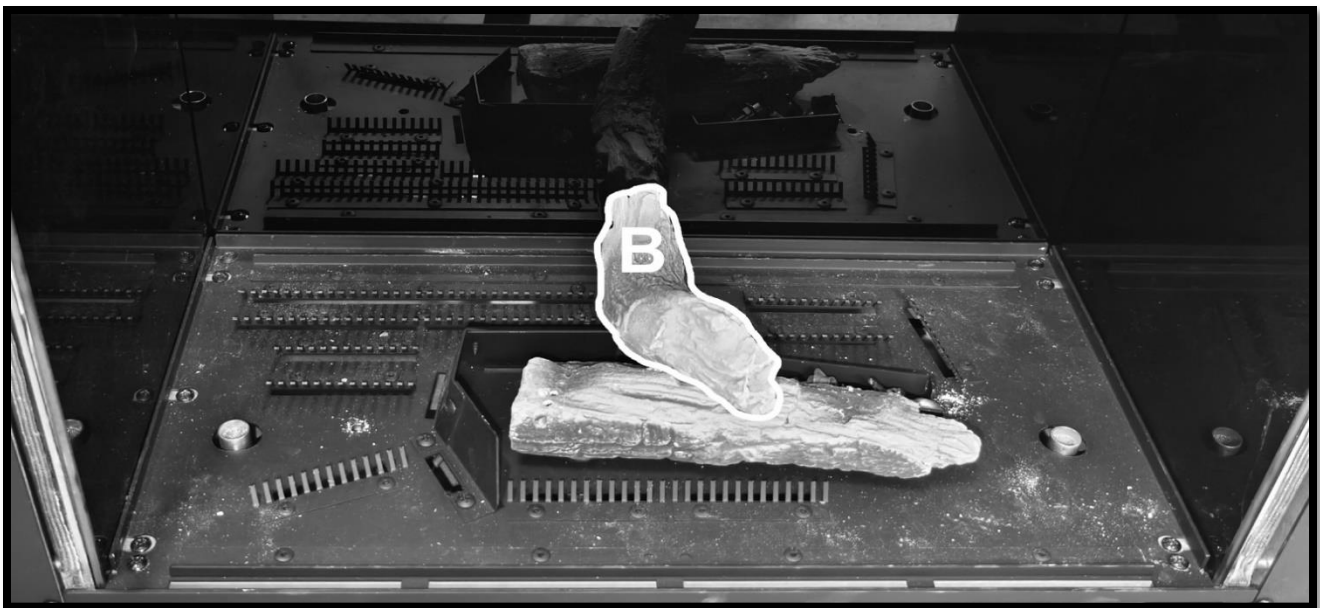
PANACHE 56 CF GAS STOVE USER INSTRUCTIONS

Fuel Bed Layout

Insert the injector location guide on the base of the “A” shape over the injector tube. The correct position can be achieved by using the hole within the log and the pin within the cover plate assembly.

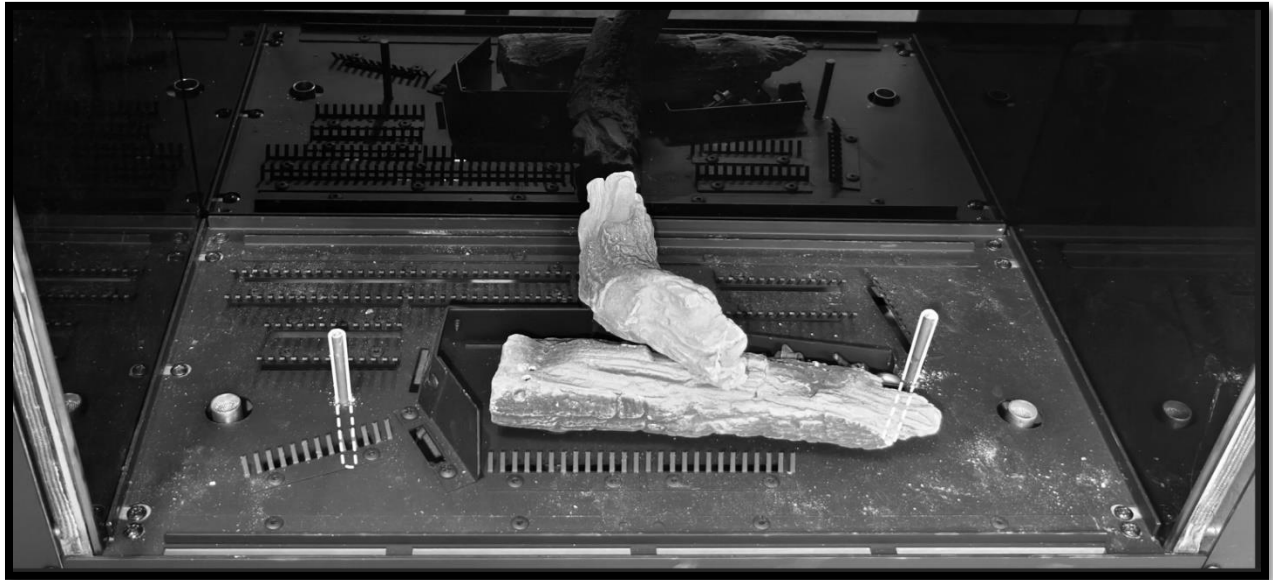


Locate log “B” shape within the mounting bracket found on the rear of the cover plate assembly. Log “A”, as a flat cutout within the top area of the shape. Carefully place within the cutout making sure the shape bridges across the pilot assembly.



PANACHE 56 CF GAS STOVE USER INSTRUCTIONS

Pass the two location pins through the cover plate and insert the pin tip within the burner engine location holes as shown below.



Using ember shapes provided, cover the exposed area of the cover plate assembly as shown below.



PANACHE 56 CF GAS STOVE USER INSTRUCTIONS

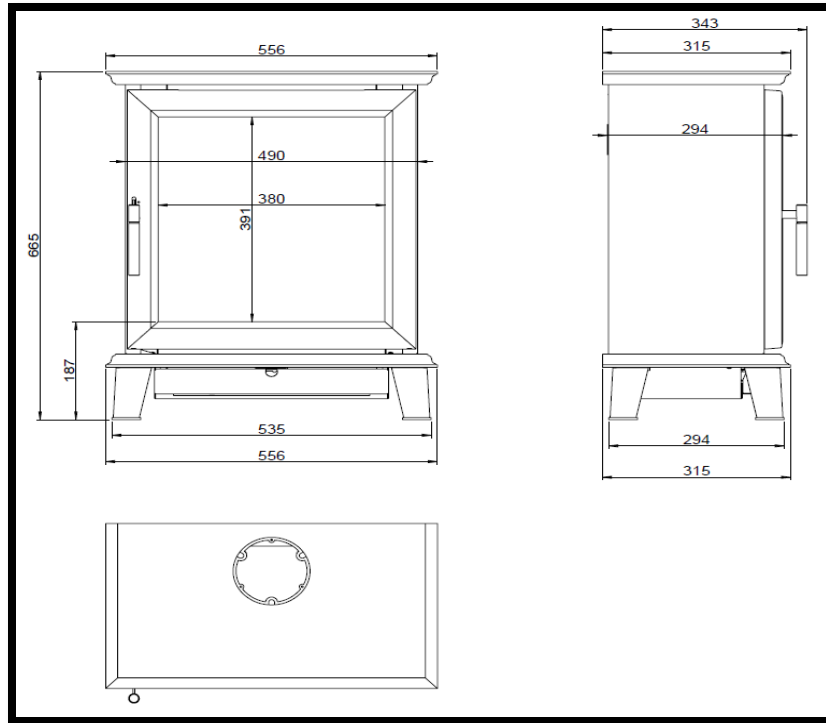
Insert the injector location guide on the base of the "C" shape over the injector tube. The correct position can be achieved by using the hole within the log and the right-hand pin.



Insert the injector location guide on the base of the "D" shape over the injector tube. The correct position can be achieved by using the hole within the log and the left-hand pin.



PANACHE 56 CF GAS STOVE INSTALLATION INSTRUCTIONS



Technical Specification

Model	Gas CAT	Gas Type	Working Pressure	Injector	Gas Input	NOx Classes	Oxy Pilot	Country
Panache 56 CF Gas Stove	I _{2H}	Natural Gas	20 mbar	Centre Mrk 71 RH & LH Mrk 112	5.5 KW	5	ODS-1G	UK

Note: The efficiency of the appliance has been measured as specified in BS EN613:2021, the net efficiency rate is 76.2% for natural gas the gross calorific value of the fuel has been used for this efficiency calculation. Intertek have certified the test data from which it has been calculated. The efficiency value may be used in the UK Government's Standard Assessment Procedure (SAP) for energy rating of the dwelling.

Packaging Check List
1 x Boxed Fuel Bed
1 x Closure Plate
1 x Rear spigot
1 x Top Gas kit Plate
1 x Ceramic Gas Kit
1x Top Flue Cover

PANACHE 56 CF GAS STOVE INSTALLATION INSTRUCTIONS

Siting the Appliance

Regulation and warnings

This appliance must only be installed in UK.

The appliance is suitable for use on Natural Gas only.

When fitted in the UK the fire does not normally require purpose-productive ventilation.

In UK it is the law that all gas appliances must be installed by a competent person, GAS SAFE registered installer, in accordance with the Current Gas Safe (installation and user) Regulations. All relevant parts of the local and national building regulations and all relevant recommendations of the following British standards. Failure to do so could lead to prosecution.

The following are relevant codes of practice and British Standards: -

B.S 5871

B.S 5440 Part 1 & Part 2

B.S 6891

This appliance must be installed to current versions of the above standards and include any relevant amendments to: -

The building regulations are issued by the department of the environment.

The building standards (Scotland) (Consolidated) Regulations issued by the Scottish development office.

Prior to installation, ensure that the local distribution conditions (identification of the type of gas and pressure) and adjustment of the appliance are compatible G20 20 mbar.

The front of the fire act as a dress guard, conforming to BS 1945 (1971) and satisfies the heating appliance regulations (1991). However, a guard conforming to BS6539 (1984) must be used to protect young children, the elderly or infirm.

This appliance incorporates a safety device in the form of an oxygen depletion system. It must not be adjusted or put out of operation. This is a non – serviceable item and must be exchanged as a complete assembly using only the original manufacturer's part.

A suitable proprietary fire surround with a 150 degree C minimum rating is required.

This appliance is intended for use on a gas installation with a governor meter.

Please note- When installing the appliance top exit. To ensure reliability of operation within a chimney, we strongly recommend that the appliance is fitted in conjunction with a 5" (125mm) suitable flexible lining and terminate the flue using a standard 5" (125mm) GC1 cowl.

PANACHE 56 CF GAS STOVE INSTALLATION INSTRUCTIONS

Class One Conventional Flue

This is a conventional brick or stone chimney as used for a solid fuel appliance with an effective cross-sectional dimension of 225 x 225mm or a lined flue with a minimum diameter of 125mm. The chimney must have a minimum effective height of at least 3 meters. Any permanent flue restriction or variable dampers are to be removed or locked fully open. The chimney should be swept prior to installation if it has previously been used for solid fuel.

Flue pipe connection

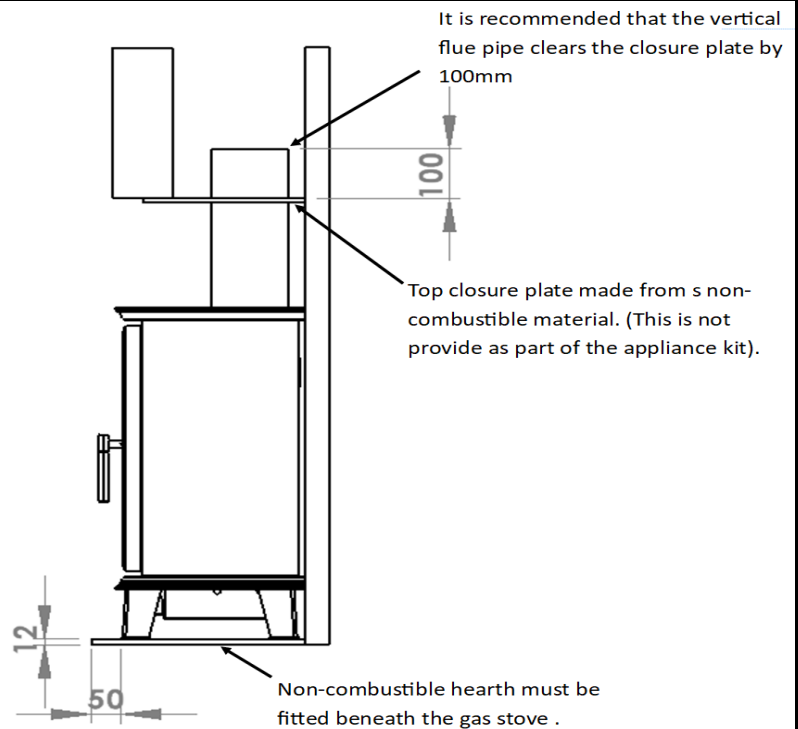
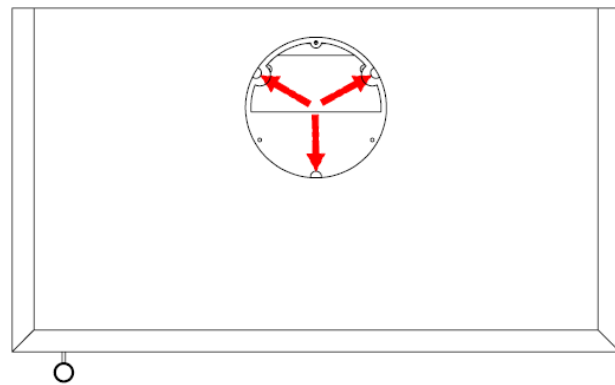
The flue pipe connection is designed to take a standard single wall stove pipe of no greater than 125mm diameter.

Hearth Requirements

The gas stove must stand on a non-combustible hearth that is at least 12mm thick and projects a minimum of 50mm forward and sides from the legs of the stove body.

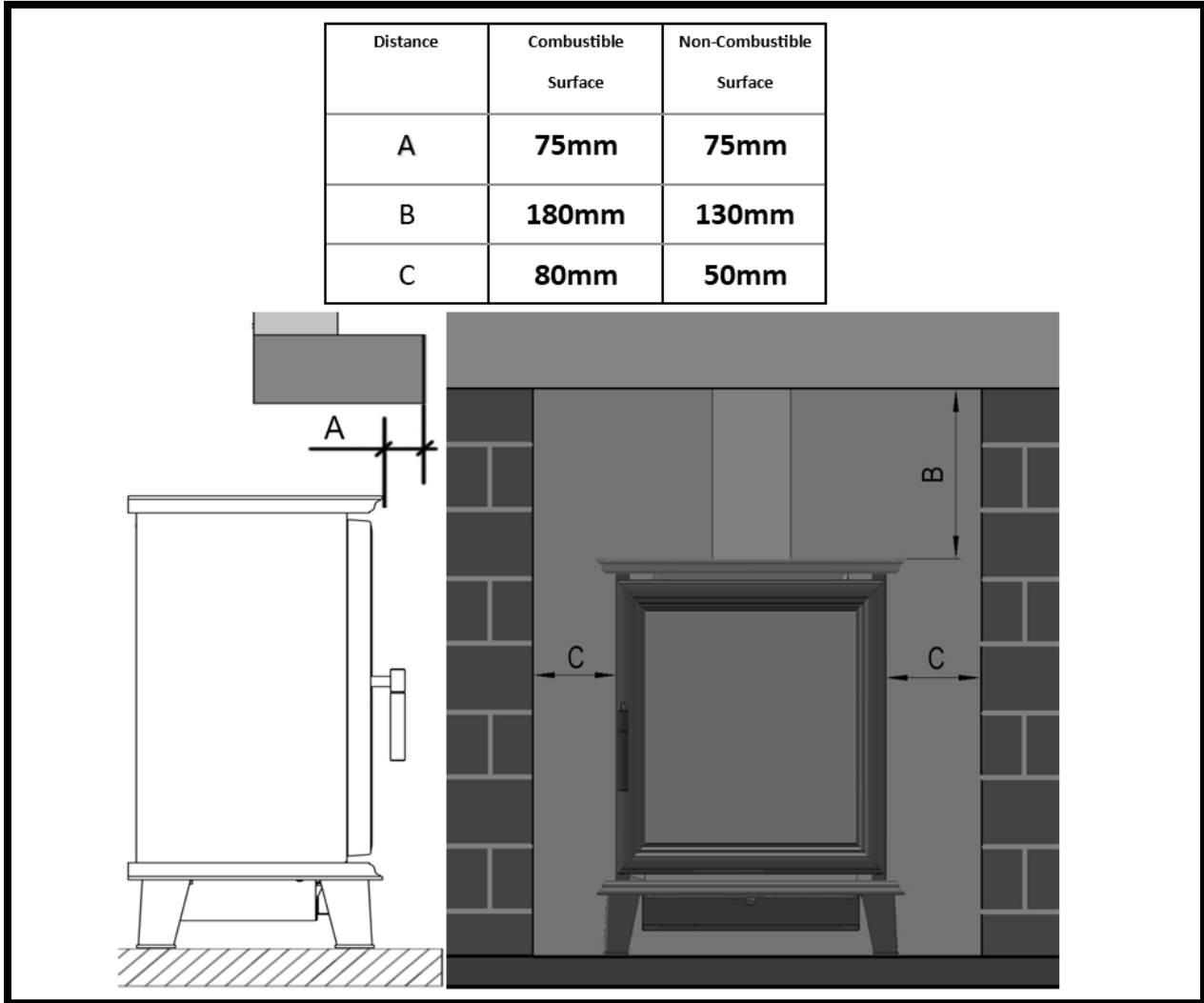
Top Exit installation: Using a closure Plate (Not Provided)

Before top exit installation, the three sides indicated by the arrows need to be bent downwards.



PANACHE 56 CF GAS STOVE INSTALLATION INSTRUCTIONS

Clearance requirement when installing into an inglenook installation

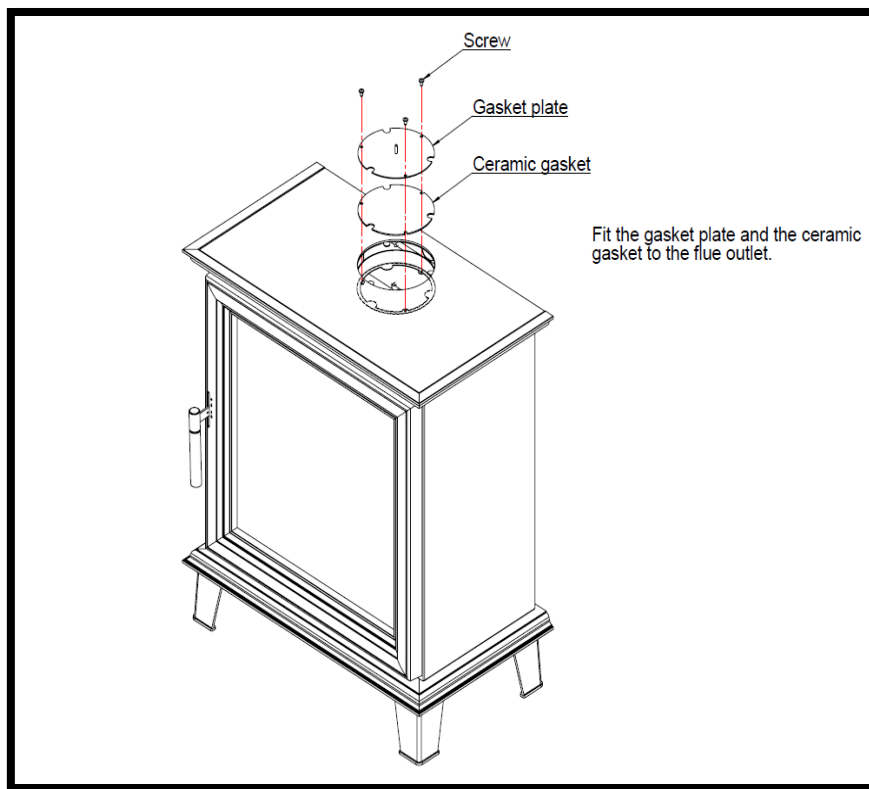


PANACHE 56 CF GAS STOVE INSTALLATION INSTRUCTIONS

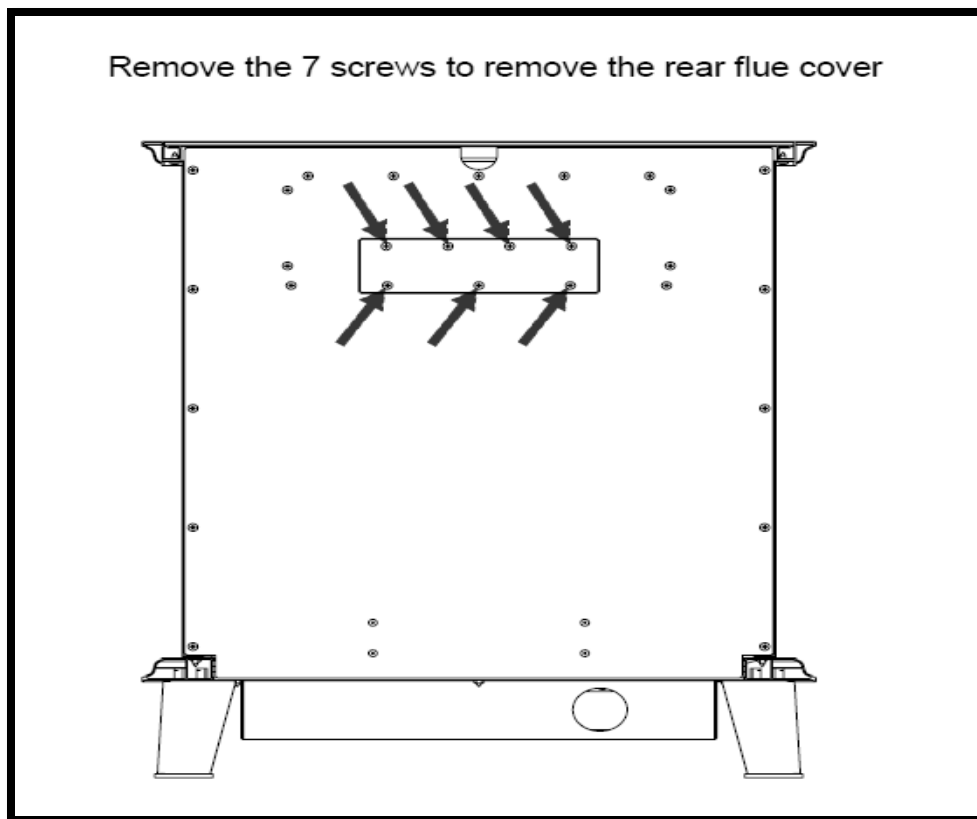
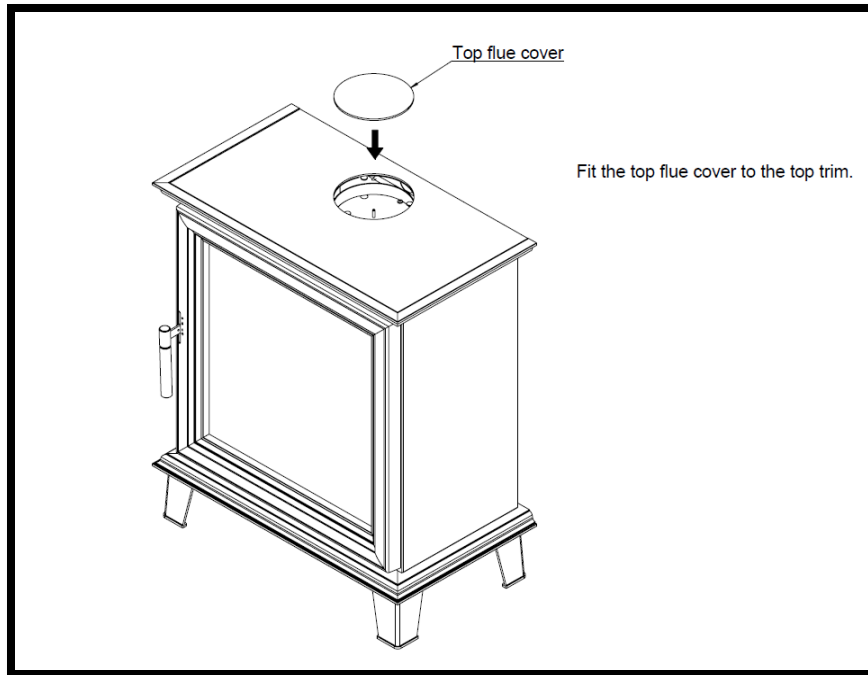
Rear Exit installation: Pre-cast flue or freestanding.

This appliance can be installed to a pre-cast concrete or clay flue block system conforming to BS1289 or BS EN 1806. The appliance is suitable for installation conforming to older versions of BS1289. The cross-sectional area must not be less than 1300mm². The flue vertical height must not be less than 3 metres and correctly terminated.

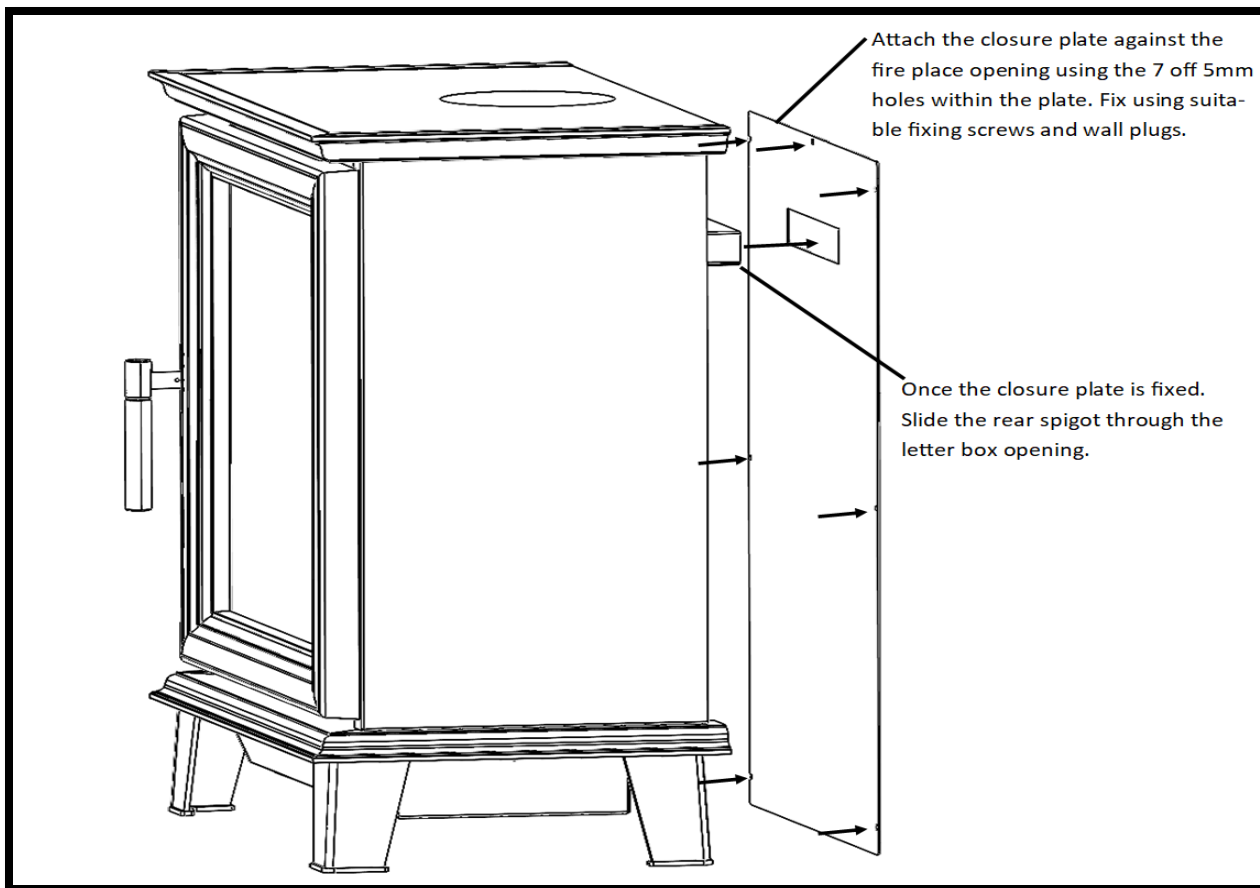
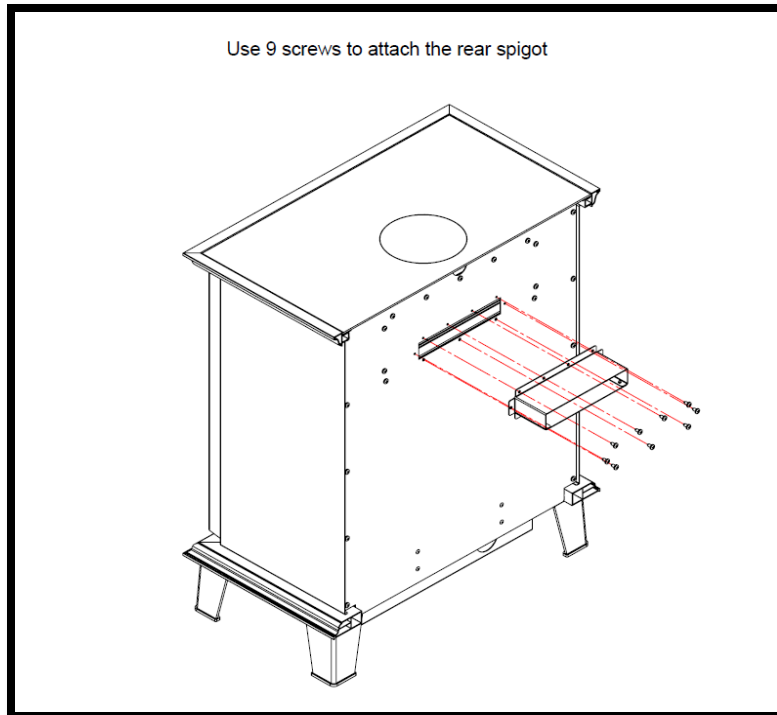
The Panache 56 Cf gas stove is assembled in the top exit format as explained in the previous section. Please follow the following guidelines to obtain the rear exit option.



PANACHE 56 CF GAS STOVE INSTALLATION INSTRUCTIONS



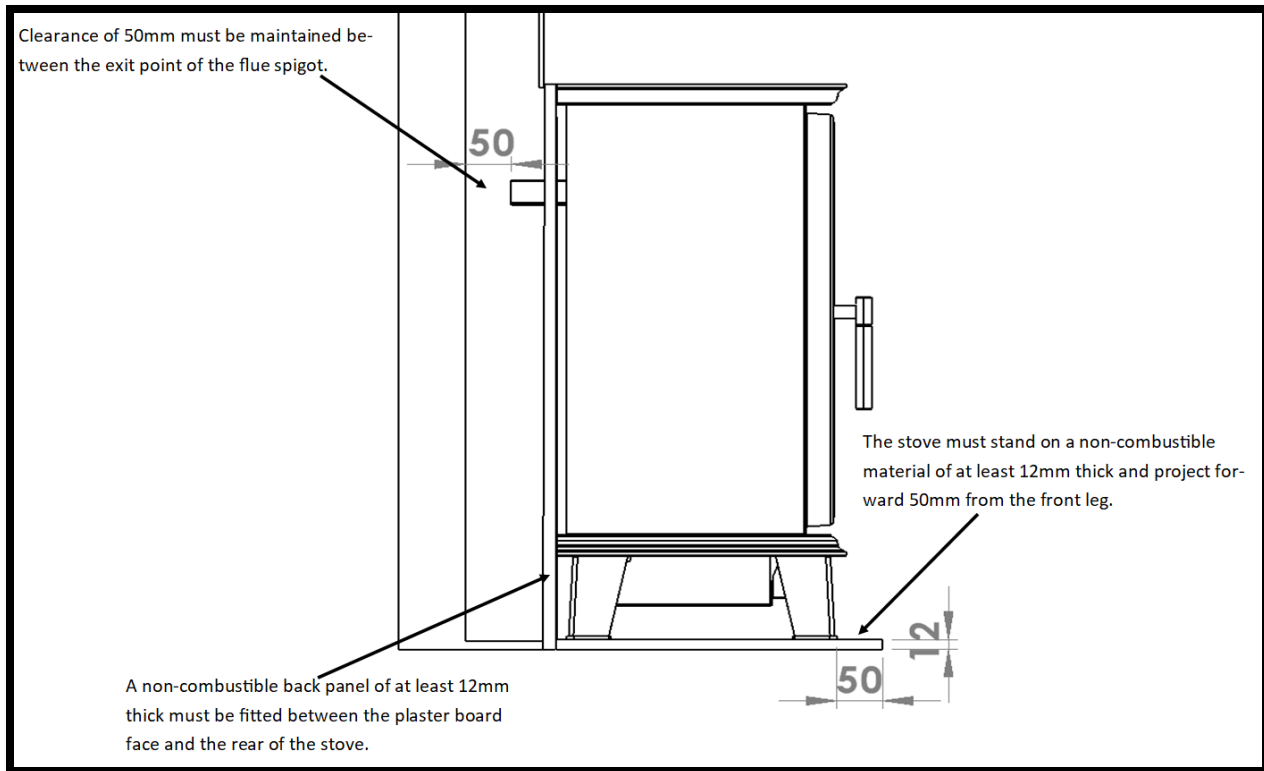
PANACHE 56 CF GAS STOVE INSTALLATION INSTRUCTIONS



PANACHE 56 CF GAS STOVE INSTALLATION INSTRUCTIONS

Note: - When installing the appliance using the rear vent method. The appliance must sit hard against the closure plate. This will allow 50mm of the rear spigot to protrude into the catchment area. A non-combustible hearth and back panel must be used, the material must be rated to a minimum of 150-degree C.

Rear Vent Installation.



Noncombustible hearth requirements.

The stove must be fitted with a hearth that is 12mm high. The sides and the front of the hearth must project forward a minimum of 50mm from the stove legs.

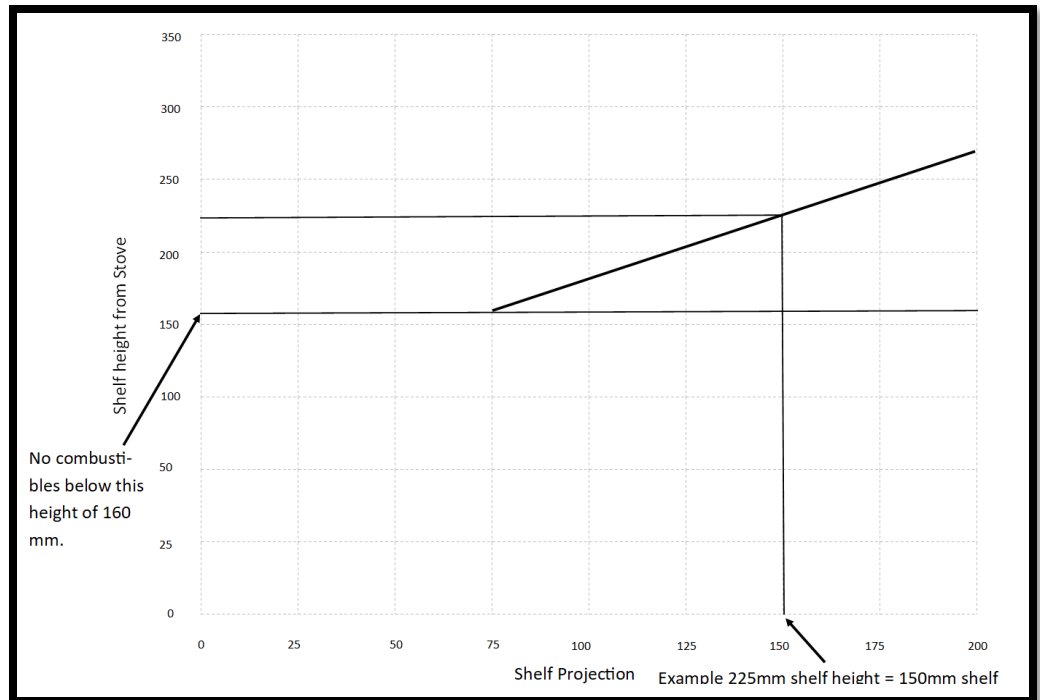
Distance from non-combustible material.

The stove can be recessed in a suitable non-combustible fireplace but a permanent free air gap of at least 50mm must be maintained from the side faces. A minimum air gap of 130 mm must be maintained from the lid of the stove to the non-combustible surface above the appliance.

PANACHE 56 CF GAS STOVE INSTALLATION INSTRUCTIONS

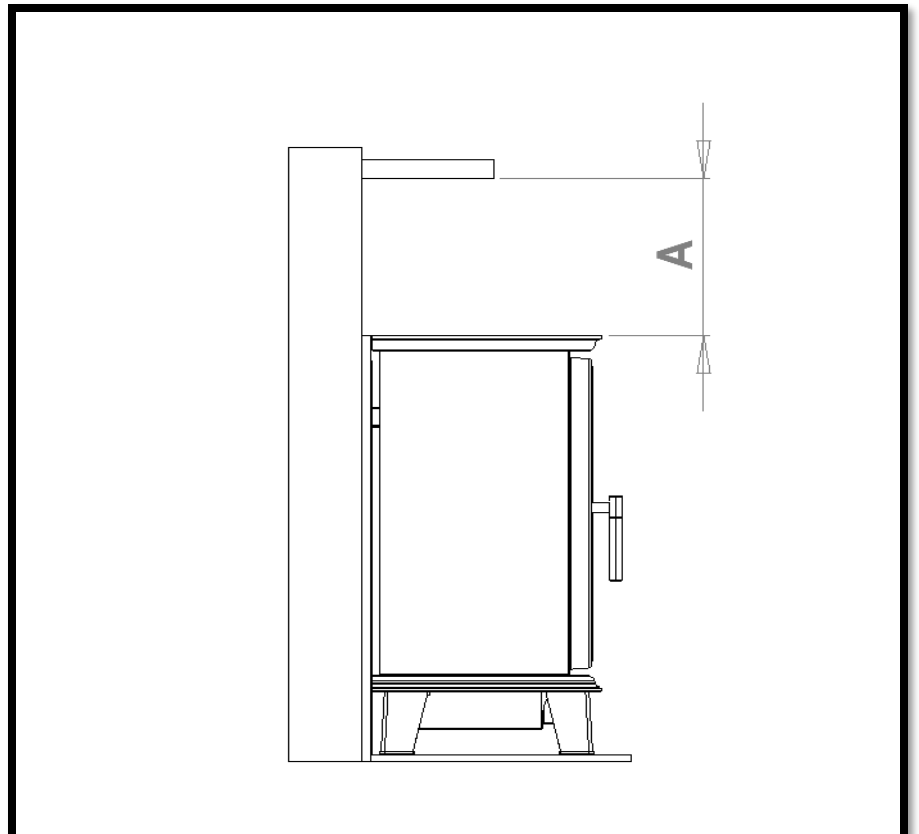
Minimum clearance above the stove to a combustible shelf.

Minimum clearance above the stove to the underneath is 160mm providing the shelf projection is no greater than 75mm. The chart opposite should be used to work out the shelf projection against the height to provide the correct "A" measurement.



Clearance to the sides of the stove.

A minimum clearance of 80mm must be maintained from the sides of the stove to a combustible material.

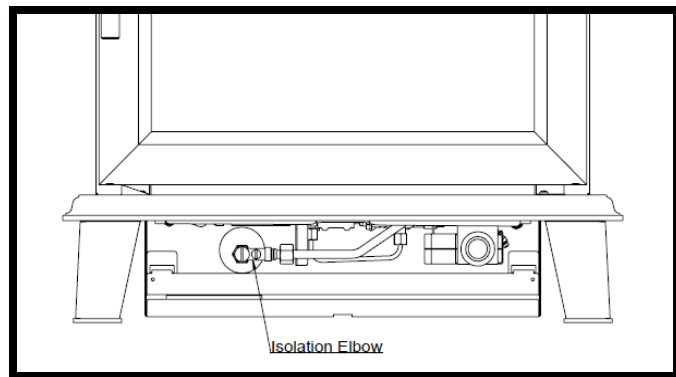


PANACHE 56 CF GAS STOVE INSTALLATION INSTRUCTIONS

CHECKING THE FLUE AND FIRE OPENING

- Check that the chimney conforms to the required specifications as previously stated. Examine the condition and carry out any remedial work including removing any debris from the base.
- If the flue has been used for solid fuel it should be swept prior to the installation.
- Prior to installing the appliance, a smoke test (using a smoke bomb) should be carried out to check that satisfactory smoke clearance has been established.
- If all the smoke is not drawn into the flue, pre-heat the flue with a blowtorch and re-check. If there is any uncertainty examine the cause and, if necessary, seek expert advice.

No noncombustible material should be fitted inside the fireplace opening.



GAS SUPPLY ROUTING: -

Use rigid or semi – rigid tube to connect the supply. Determine the gas supply pipe run to the appliance before installing the Stove.

Check the gas run to assess that the gas supply can provide the required amount of gas and is in accordance with the rules in force.

Soft copper pipe can be used to install the appliance. Soldered joints can be used only externally of the appliance.

The appliance is supplied with a factory fitted isolation device to allow for an 8mm copper connection. No further isolation point is required.

The new gas line must be purged to remove any debris present, prior to final connection to the appliance.

The gas inlet isolation device is located on the bottom left-hand side of the fire box, the gas supply entry point is positioned on the left rear of the stove body.

PANACHE 56 CF GAS STOVE INSTALLATION INSTRUCTIONS

CHECKING GAS SOUNDNESS

Checking gas soundness and running pressure.

Turn on the supply to the appliance and check for soundness in accordance with the current codes of practice.

Turn off the gas supply at the external isolation valve.

Remove the pressure test point screw from the inlet elbow and connect the pressure gauge.

Turn on the gas to the appliance at the isolation valve.

Light the appliance as described in the user instruction section page 5, operation the appliance.

Check the inlet pressure is 20 mbar N.G +/- 1.0 mbar with other appliances running.

Turn off the gas supply, at the isolation valve. Disconnect the pressure gauge and replace the pressure test point screw.

Turn on the appliance and check the pressure test point for soundness with detection fluid.

PANACHE 56 CF GAS STOVE CHECKING OPERATION OF THE STOVE

Remove Glass Panel.

Special care should be taken when removing the glass panel from the appliance. The top glass retaining bracket is fixed to the fire box via two M5 fixing screws. Remove the screws and remove the top fixing bracket, you are now able to remove the glass from the front of the appliance.

Fuel Bed Layout.

Fuel bed layout should be fitted using the guidance stipulated on pages 11-13 of the User Instruction section.

Fitting the glass door

Follow the guidance on page 7 of the User instruction section.

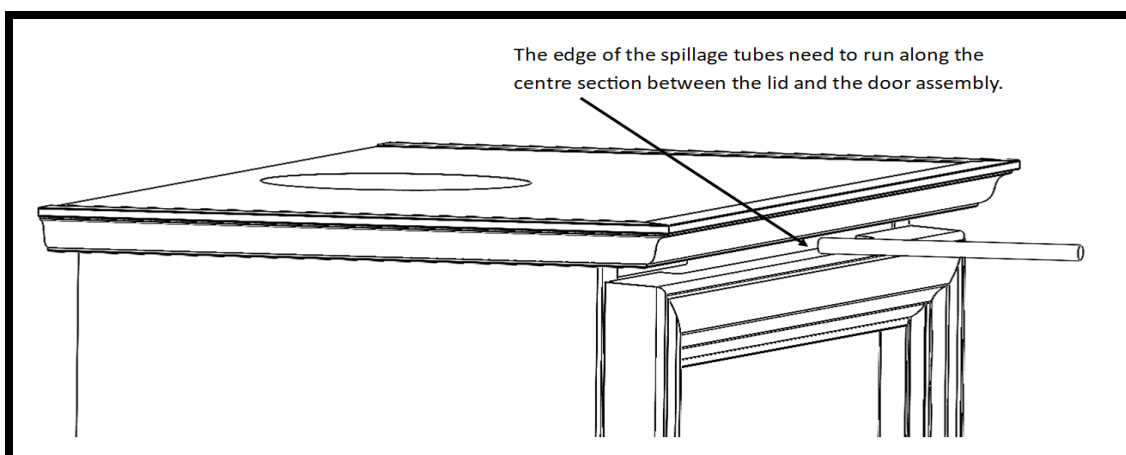
Spillage Test Procedure.

To check for satisfactory clearance of products of combustion, close all doors and windows and run any extractors within the room, leave the appliance burning HIGH for five minutes. Using a smoke match holder, insert the smoke match about 5mm into the gap at the top centre of the stove. Traverse the match across the length of the draft diverter. All the smoke must be drawn into the flue.

If spillage occurs allow a further 5 minutes and repeat the test.

Repeat the test again with doors open and with any extractor fans in other rooms in operation.

If spillage is detected the cause must be discovered and the fault corrected. If the fault cannot be corrected. Disconnect the stove from the gas supply and seek expert advice. Spillage can be caused by a restriction in the flue system, down draft or insufficient ventilation into the room where the stove is installed.



PANACHE 56 CF GAS STOVE CHECKING OPERATION OF THE STOVE

Advise The Customer.

The glass front of this fire acts as a dress guard conforming to BS 1945 (1997) and satisfies the heating appliance regulations (1991) however; a fireguard conforming to BS6539 (1997) must be used to protect young children, the elderly, or infirm.

During initial "burn off", an odor may be evident during the first few hours of use. This is due to the surface coating on the metal work "burning off". The odour produced is harmless and will disappear after a short period of time.

Any debris should be cleared from the appliance.

The appliance should be serviced annually by a Gas Safe registered engineer in accordance with the Service instruction section.

Point out the position of the battery within the stove and explain from time to time this will need to be changed.

Demonstrate the lighting and extinguishing procedures to the user and the removal and refit of the glass panel for cleaning.

Examine the shapes for signs of cracking and replace if necessary. (IMPORTANT) see layout procedure in section Fuel Bed Layout of this manual before attempting to replace items, which should only be replaced as a complete set with no extra shapes added.

PANACHE 56 CF GAS STOVE SERVICE / MAINTENANCE INSTRUCTIONS

Annual Service Requirement.

General

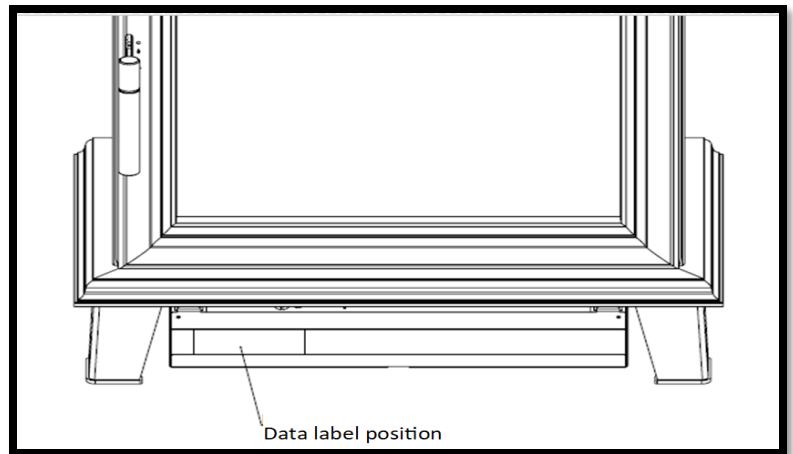
Servicing should be carried out annually by a competent person whose name appears on the gas safe register. All Gas Safe engineers should possess an ID carrying the logo below.

Before commencing any service or replacement of parts, turn off the gas supply to the stove. After servicing check for gas soundness.



Before commencing any service or replacement of part, turn off the gas supply to the fire. After servicing check for gas soundness.

When ordering spare parts please quote the appliance name and serial number. This information can be found on the stove as highlighted below.



Check for debris.

At least once a year the flue way should be checked for any debris.

Top Exit installation: Using a closure Plate.

Remove the top closure plate from the top of the chimney space. Remove any debris from the exposed space. If the liner is connected to the stove body the connection point must be inspected.

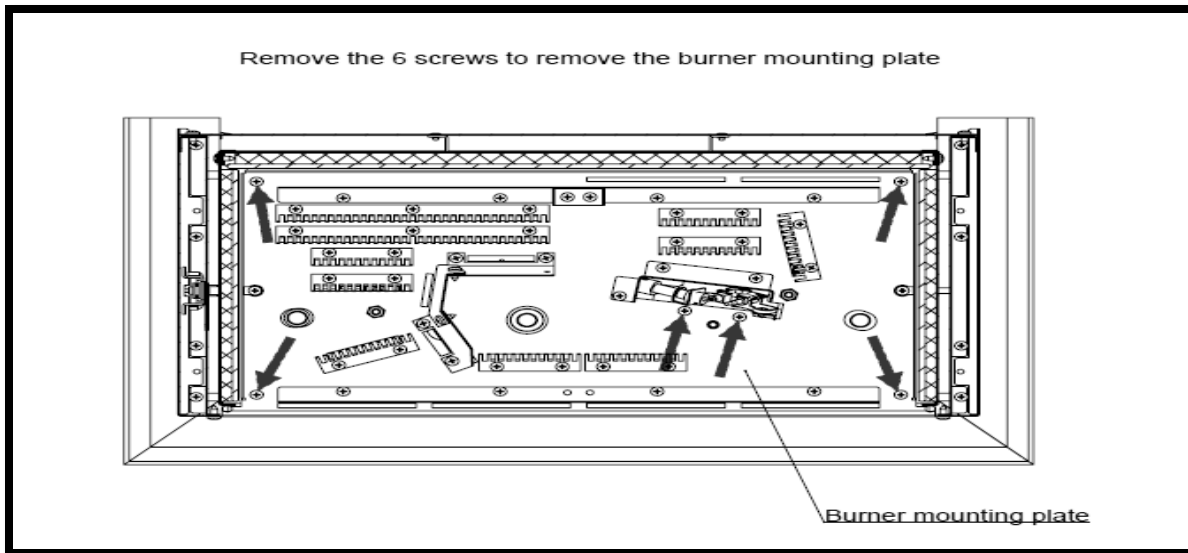
Rear Vent Installation.

Slide out the stove spigot connection from within the closure plate. Remove the closure plate covering the fireplace opening. Remove any debris present within the starter blocks or catchment area.

If soot has accumulated check to establish cause, if possible, rectify and clean the flue or chimney accordingly.

PANACHE 56 CF GAS STOVE SERVICE / MAINTENANCE INSTRUCTIONS

To remove the burner assembly carrier.

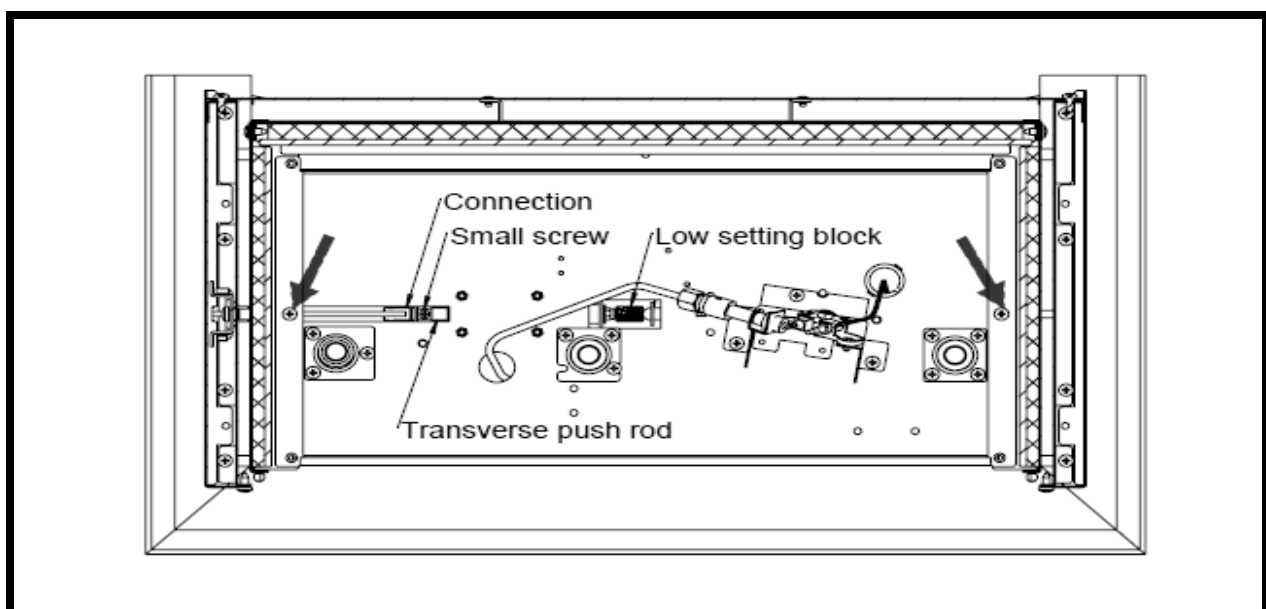


Disconnect the battery from the Ignitor holder.

Lower the handle into the ignition position, remove the small screw to disconnect the connection from the transversion push rod.

Using your fingers or a flat bladed screwdriver hold the low setting block, whilst holding the handle in the off position, the connection will detach from the push rod. Remove the 2 screw.

Carefully lift the burner assembly carrier out of the stove body.



PANACHE 56 CF GAS STOVE SERVICE / MAINTENANCE INSTRUCTIONS

Replacement of the gas valve.

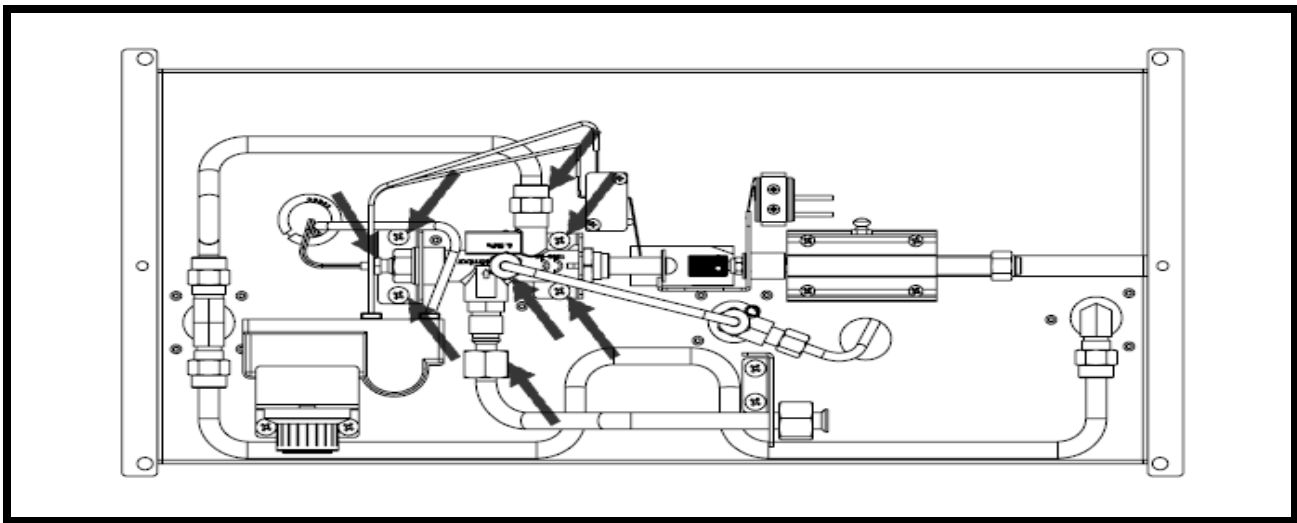
Follow the sequence to remove the burner assembly carrier.

Disconnect the inlet, outlet and pilot pipe connection from the valve assembly.

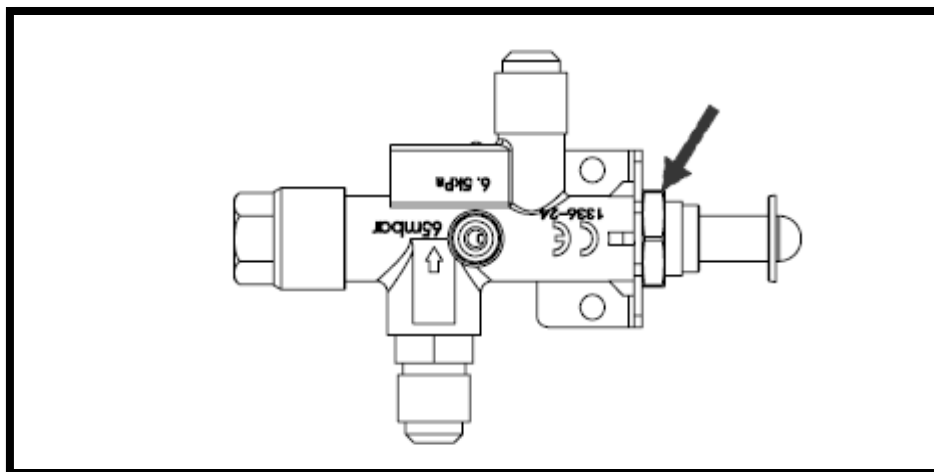
Remove the thermocouple connection from the gas valve.

Remove the four screws fixing the valve and mounting bracket.

Lift the valve and mounting bracket from the carrier assembly.



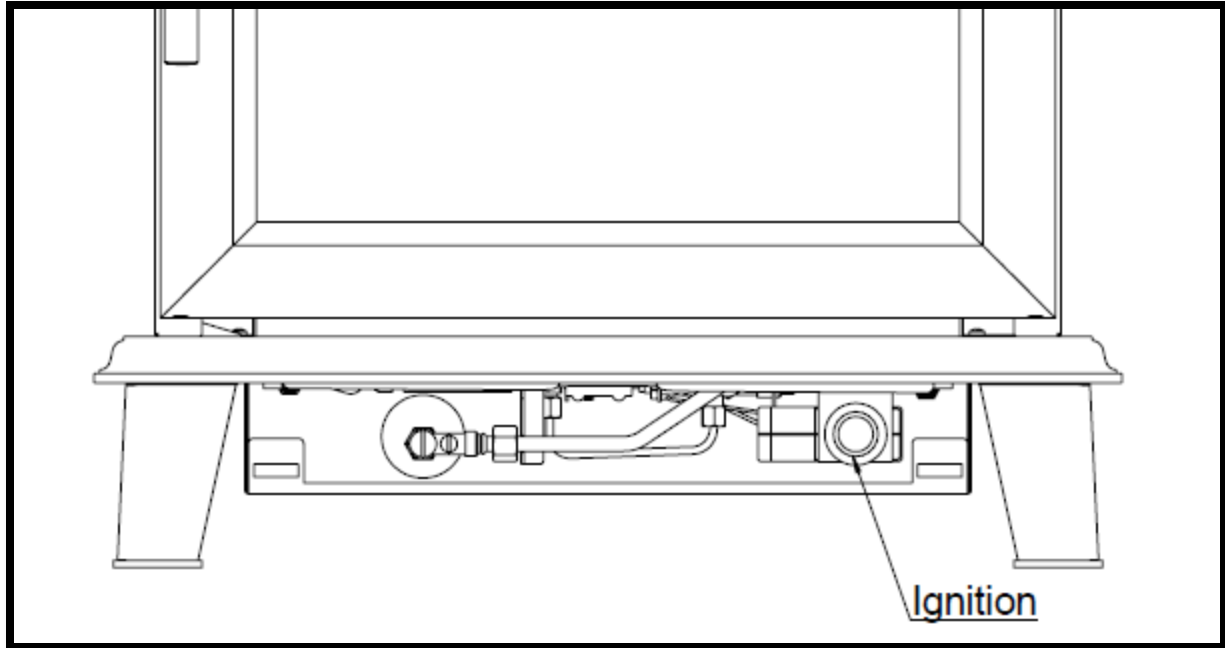
Finally remove the locking nut to release the valve.



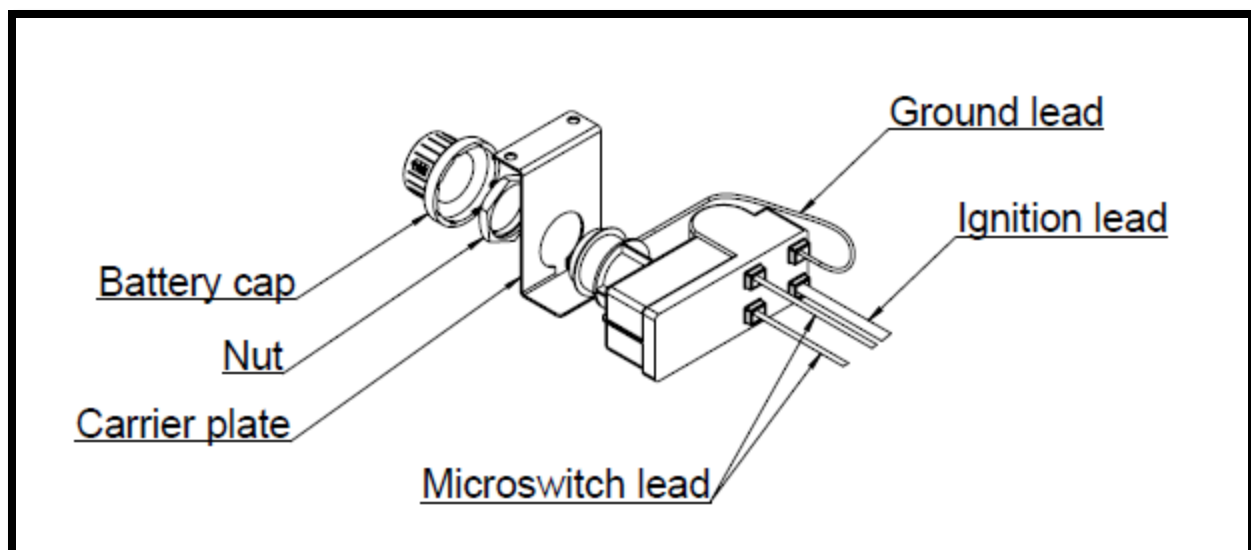
PANACHE 56 CF GAS STOVE SERVICE / MAINTENANCE INSTRUCTIONS

Replacement of the Igniter.

Unscrew the battery cap, remove the battery, then unscrew the nut securing the spark generator to the mounting plate.



Detach the three wires (microswitch and ignition lead) from the Ignitor. The Ignitor can now be removed and replaced.



PANACHE 56 CF GAS STOVE SERVICE / MAINTENANCE INSTRUCTIONS

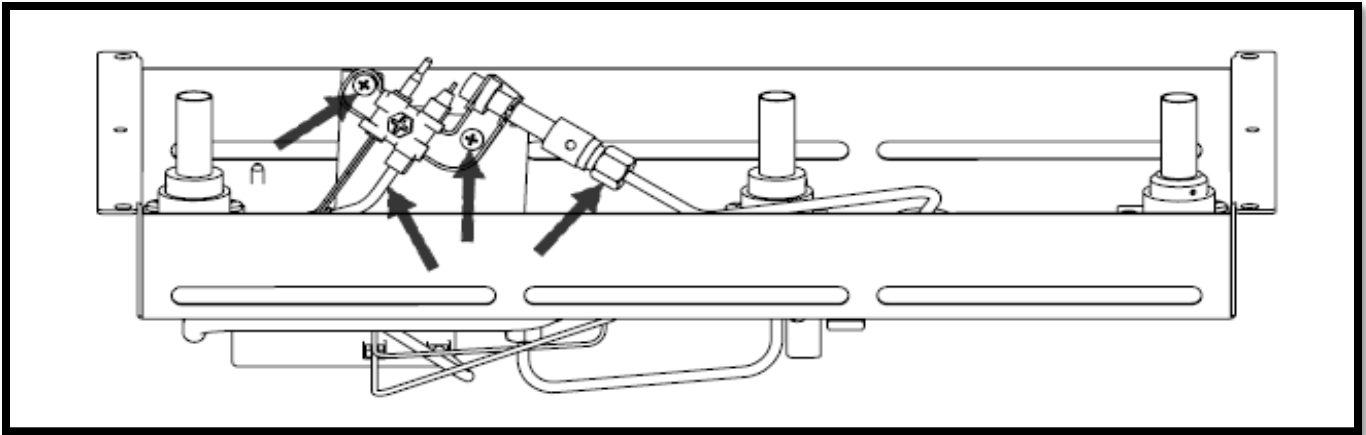
Replacement of the ODS assembly.

Follow the sequence to remove the burner assembly carrier.

Disconnect the 4mm compression nut from the ODS assembly.

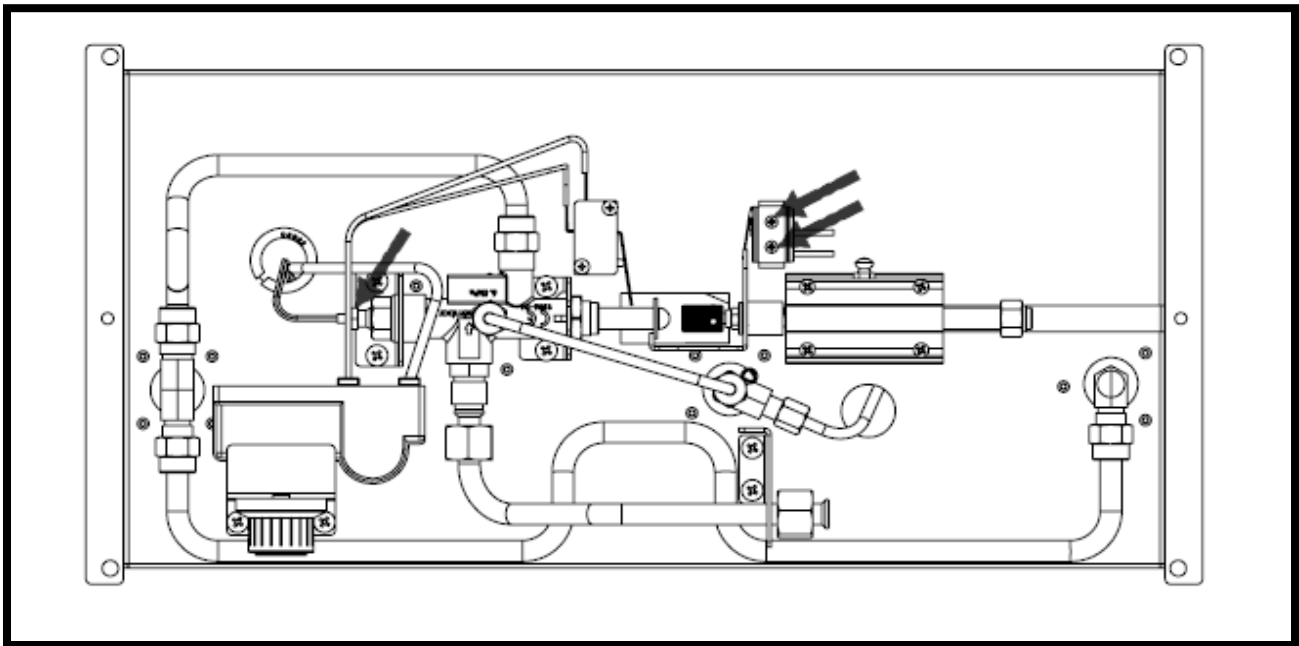
Release the ignition lead from the electrode spade connection.

Remove the two-screw retaining the ODS body to the burner carrier.



Finally remove the two-screws retaining the N/C microswitch from the burner carrier assembly.

Remove the thermocouple connection from the gas valve.

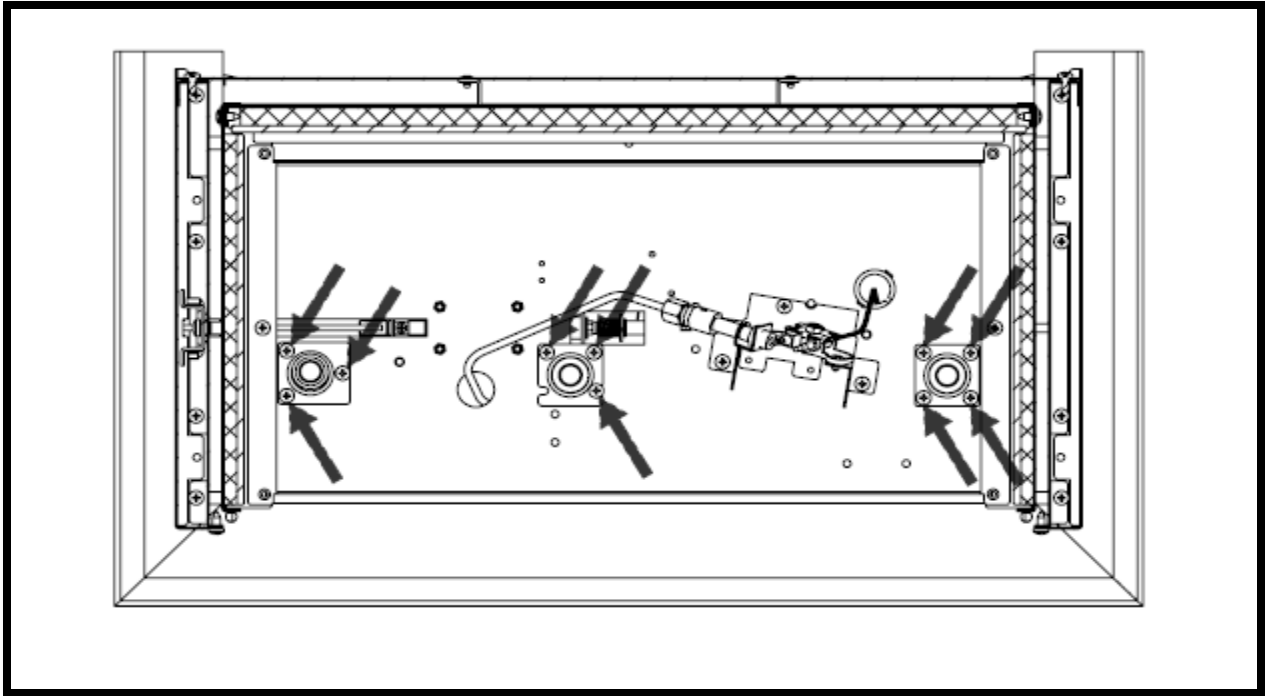


You can now remove the ODS assembly from the burner carrier.

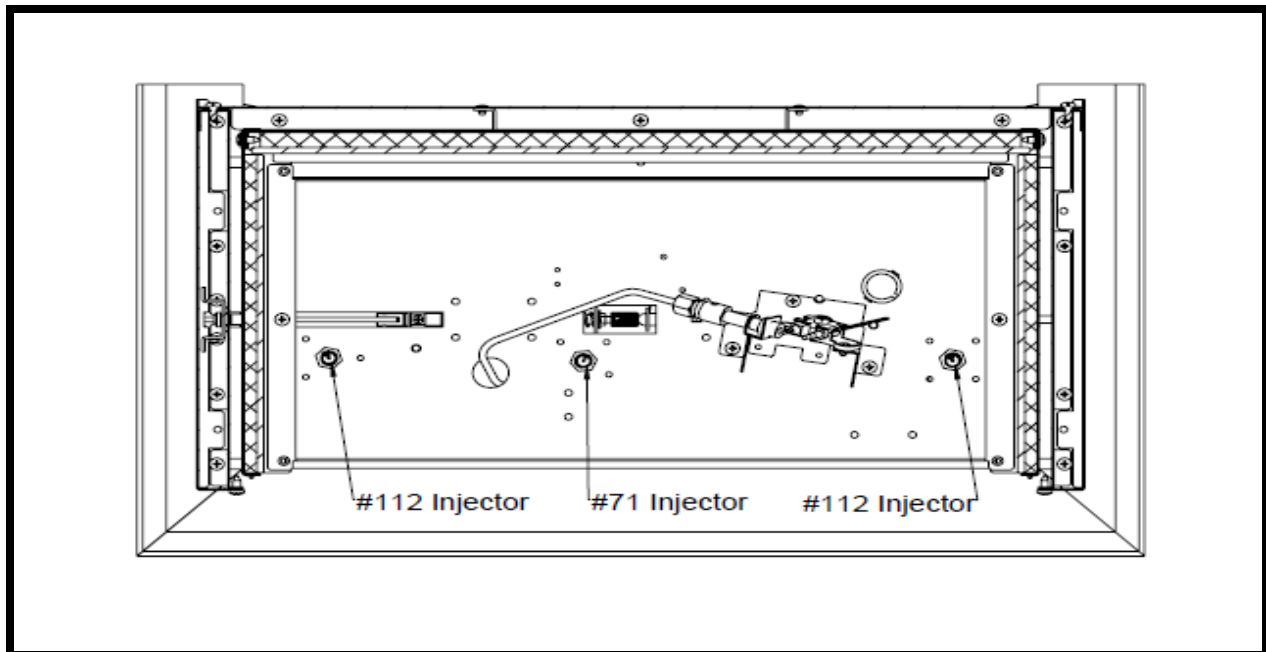
PANACHE 56 CF GAS STOVE SERVICE / MAINTENANCE INSTRUCTIONS

Replacement of the injectors.

Remove the 10 screws holding the three location guides highlighted below.



Using a suitable spanner, you can now remove the injectors.



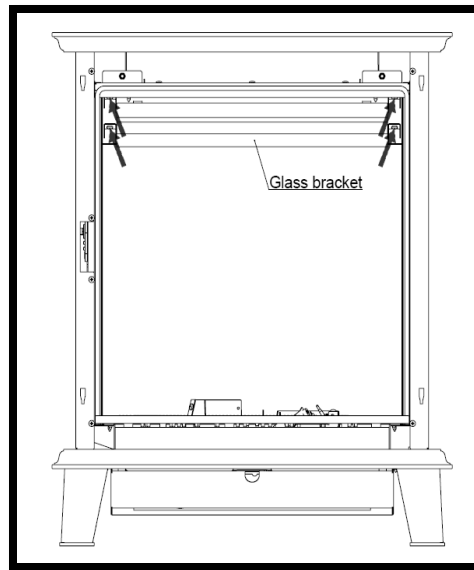
PANACHE 56 CF GAS STOVE SERVICE / MAINTENANCE INSTRUCTIONS

Replacement of the rear glass lining.

Please follow the guidance on page 7 and 8 to remove the door frame and glass panel.

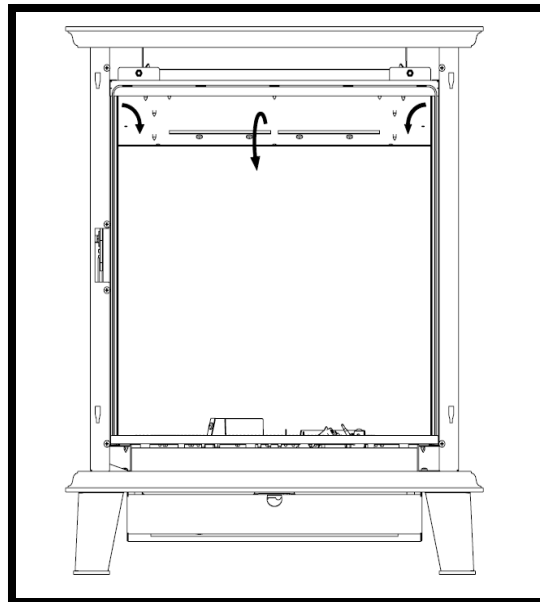
Remove the four-screws, why holding the glass retaining bracket at the roof of the stove.

Carefully remove the bracket from the stove body.



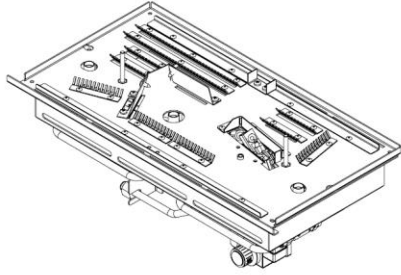
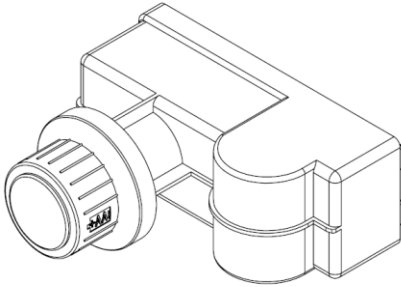
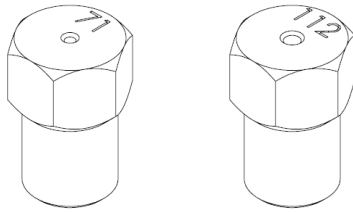
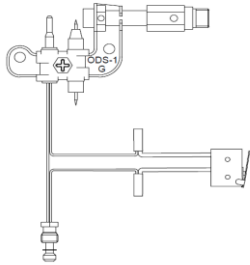
The side glass assemblies can now be removed by carefully sliding them forward free from the stove box.

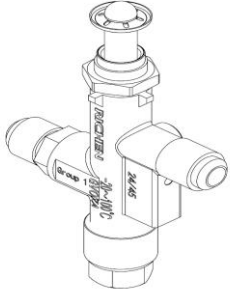
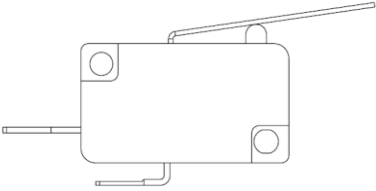
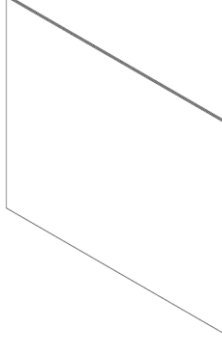
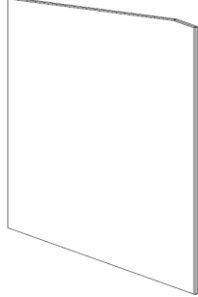
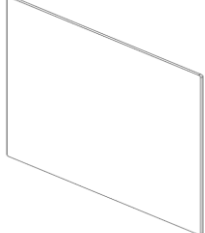
The rear glass lining can now be removed from the stove body following the guidance below.






PANACHE 56 CF GAS STOVE MAINTENANCE INSTRUCTIONS

Short Spares List

Picture	Description	Part Number
	<p>Panache 56 CF Gas Stove Burner Tray</p>	<p>Part No10127</p>
	<p>DHLG-12A Igniter</p>	<p>Part No10128</p>
	<p>Mrk71 Injector Mrk112 Injector</p>	<p>Part No10129 Part No10130</p>
	<p>ODS-IG</p>	<p>Part No 10131</p>

	<p>GV07A Gas Valve</p>	<p>Part No10132</p>
	<p>N/O Microswitch</p>	<p>Part No10133</p>
	<p>Panache 56 CF Rear lining</p>	<p>Part No10134</p>
	<p>Panache 56 CF Side Lining</p>	<p>Part No10135</p>
	<p>Panache 56 CF Glass Panel</p>	<p>Part No10136</p>

	<p>Ignition Lead</p>	<p>Part No10137</p>
	<p>Ignition lead (Ignitor to N/O microswitch)</p>	<p>Part No10138</p>
	<p>Panache 56 CF Fuel Bed</p>	<p>Part No10139</p>

Your Fire Years Parts Extended Warranty Panache 56 CF GAS STOVE

WARRANTY DETAILS

Please read it carefully and ensure your installer has filled in the first portion, keep it in a safe place so that it is available when your Gas Safe engineer carries out the annual service.

This in no way reduces your statutory rights.

The warranty commences from the date of your purchase. You must retain your receipt or invoice as proof of purchase.

This extended warranty specifically excludes glass and soft refractory components and any batteries.

Terms and Conditions

- 1 The appliance must be installed by a Gas Safe registered person
- 2 The appliance must be used in accordance with the user's instructions.
- 3 The appliance must be serviced annually by a Gas Safe registered person.
- 4 The service log must be correctly filled out and the record of annual services must be up to date and supported by receipts in each case.
- 5 This warranty is not transferable and relates to the original installation only.
- 6 The Registration form must be correctly filled out and returned.
- 7 The appliance has not been subject to misuse or accident or been modified or repaired by any person than the authorized representative of Charlton and Jenrick Ltd.
- 8 The registration form must be returned within 1 month of purchase.

For further information please contact the Charlton and Jenrick help desk on 0845 5195991 or visit our web site www.CharltonandJenrick.co.uk.

Important

For future reference we suggest you record the following details here and keep the receipt as proof of purchase. This information may be asked for when you contact the helpdesk.

Model Panache 56 CF Gas Stove

Serial No									
-----------	--	--	--	--	--	--	--	--	--

This information can be found on the label attached to the packaging and on the data badge, which is located on the appliance-----.

Retailer Name:-----

Address :-----

:-----

:-----

Date of Purchase						
------------------	--	--	--	--	--	--

Four Year Service Log Details

The following information must be completed to support receipts as part of the conditions of the extended four-year parts warranty and the appliance must be registered by completing and returning the registration document (last page of this booklet) to Charlton and Jenrick Ltd.

Date of first service							
-----------------------	--	--	--	--	--	--	--

Engineers Name : _____

Gas Safe no								
-------------	--	--	--	--	--	--	--	--

Date of second service							
------------------------	--	--	--	--	--	--	--

Engineers Name : _____

Gas Safe no								
-------------	--	--	--	--	--	--	--	--

Date of third service							
-----------------------	--	--	--	--	--	--	--

Engineers Name : _____

Gas Safe no								
-------------	--	--	--	--	--	--	--	--

Date of fourth service							
------------------------	--	--	--	--	--	--	--

Engineers Name : _____

Gas Safe no								
-------------	--	--	--	--	--	--	--	--

GAS FIRE COMMISSIONING CHECKLIST

This Commissioning Checklist is to be completed in full by the competent person who commissioned the gas fire as a means of demonstrating compliance with the appropriate Building Regulations and then handed to the customer to keep for future reference.

Failure to install and commission according to the manufacturer's instructions and complete this Benchmark Commissioning Checklist will invalidate the warranty. This does not affect the customer's statutory rights.

Site Requirements	Yes	N/A
Was the chimney checked to ensure it only serves one flue/fire, has no obstructions and is continuous?		
Has any debris at the base of the chimney been removed?		
For brick chimney installations is there enough depth for 12 liters of debris, or precast flues 2 liters of debris? (see instructions for debris gap details)		
Have damper and register plates been removed or locked in fully open positions ensuring the correct size of flue is		
If previously used for solid fuel has the chimney been thoroughly swept?		
If the chimney is pre-cast has the inside of the flue been checked for extruded cement / sealant which must be		
Has the fireplace been checked for under-floor air supply which must be sealed off?		
Has the chimney been inspected prior to fitting the gas fire to ensure that it is in good condition?		
Has the structure of the chimney been checked for leakage using a smoke pellet test? (See BS5440-1 for details).		
Ventilation		
Does the installation require any additional ventilation requirements as detailed in the manufacturer's instructions?		
Hearth Requirements- where fitted		
Is the hearth constructed from non-combustible material?		
Is the hearth a minimum of 12mm thick with a minimum floor to top surface of 50mm? (BS5871) or as per manufacturer's instructions?		
Is the hearth for open fronted fires a minimum of 760mm wide and has 300mm projecting from the fire opening (BS6871) or to manufacturer's instructions?		
Mounting height (where applicable) has the fire been installed to the correct mounting height- as per manufacturer's instructions?		
Firebox and Fuel Bed		
Has the fuel bed, coals, pebbles etc. been fitted to the manufacturer's instructions?		
Gas Supply		
Has an isolation tap/restrictor inlet elbow been fitted for servicing?		
Has the gas supply been thoroughly purged prior to the connection to remove any debris?		
Has a gas tightness test been completed prior to breaking into the gas supply and following completion of installation?(IGEM/IIP/18)		
Record burner gas pressure reading. If only supply pressure is available a gas rate must be undertaken. (GSIUR		
Record dynamic inlet gas pressure (working pressure) reading (all gas appliances running)		
Spillage test		
Installation passes smoke match test with any extractor fans turned on (see manufacturer's instructions)		
Installation		
Has the gas fire been installed and commissioned in accordance with the manufacturer's instructions?		
Has the fire been installed with the correct clearance to combustible materials, as per manufacturer's instructions?		
The operation of the appliance and controls have been demonstrated to the customer including battery replacement where applicable?		
The manufacturer's literature, including Benchmark Checklist and Service record has been explained and left with the		
Has the appliance been registered with the Local Authority as detailed on the Gas Safe web site and is a legal requirement and forms part of the warranty?		
Customer's Signature: (To confirm satisfactory demonstration and receipt of manufacturer's literature)	Commissioning Engineer's Signature:	

* All installations in England and Wales must be notified to be Local Authority Building Control

Register Your 12 Month Warranty with Us Today

Simply detach this sheet from this booklet, complete it and return it in a stamped addressed envelope to the address below. The other alternative is to register online at www.charltonandjenrick.co.uk.

Charlton and Jenrick Ltd

Unit D

Stafford Park 2

Telford

Shropshire.

TF3 3AR

Your Details

Name _____

Address _____

Post Code _____

Telephone No _____

Product Details

Model: Panache 620 Serial No _____

Date of Purchase _____

This information can be found on the label attached to the packaging and on the data badge.

Where did you purchase this product?

Name _____

Address _____

Post Code _____

Telephone No _____
