



INFINITY



**Instruction for user,
Installation &
Servicing**

890 HDBF

IMPORTANT



This appliance is guaranteed for 12 months subject to conditions. The 5 year extended parts warranty will only be valid if the annual service recommended in this manual has been completed and appliance has been registered online.

Keep this booklet for service log and future reference

Video guides found at <http://www.charltonandjenrick.co.uk/infinity-set-up-guides/>



Contents

EXTENDED FIVE YEAR PARTS WARRANTY	1
Benchmark Scheme	2
Introduction	3
Consumer Protection Information	3
Lighting the Appliance & General Operation of Control	5
Handset set up video	5
Auto (Thermostatic) Control	7
Menu features	8
Changing the Handset Batteries	8
Cleaning the 890 HD BF Appliance	9
Fuel Bed Layout	10
Technical Specification	12
Siting the Appliance	13
Commissioning the Appliance	31
Annual Service Requirement	33
Maintenance	35
Short Spares List	40
Your Five Years Parts Extended Warranty	43
Four Year Service Log Details	44
BALANCED FLUE GAS FIRE COMMISSIONING CHECKLIST	45
Register Your 12 Month Warranty with Us Today	46



EXTENDED FIVE YEAR PARTS WARRANTY

In order to validate your extended 5 years parts warranty please read the Benchmark Scheme and ensure your installer has filled in the appropriate checklist.

Benchmark Scheme



Charlton and Jenrick Ltd is a licensed member of the Benchmark Scheme which aims to improve the standards of installation and commissioning of domestic heating and hot water systems in the UK and to encourage regular servicing to optimise safety, efficiency and performance. Benchmark is managed and promoted by the Heating and Hotwater Industry Council. For more information and the full code of practice please visit www.centralheating.co.uk

Please ensure that the installer has fully completed the Benchmark Checklist on the inside back pages of the installation instructions supplied with the product and that you have signed it to say that you have received a full and clear explanation of its operation. The installer is legally required to complete a commissioning checklist as a means of complying with the appropriate Building Regulations (England and Wales).

All installations must be notified to Local Area Building Control either directly or through a Competent Persons Scheme. A Building Regulations Compliance Certificate will then be issued to the customer who should, on receipt, write the Notification Number on the Benchmark Checklist.

This product should be serviced regularly to optimize its safety, efficiency and performance. The service engineer should complete the relevant Service Record on the Benchmark Checklist after each service.

The Benchmark Checklist will be required in the event of any warranty.

It is a requirement that the gas fire is installed and commissioned to the manufacturer's instructions and the data fields on the commissioning checklist completed in full.

To instigate the guarantee, the gas fire needs to be registered with the manufacturer within one month of the installation.

To maintain the guarantee, it is essential that the gas fire is serviced annually by a Gas Safe registered engineer. The service details should be recorded on the Benchmark Service Interval Record and left with the householder.

890 HD BF USERS INSTRUCTIONS

Introduction

The 890 HD BF has been designed and tested to the requirements of EN 613 and is suitable for use in Great Britain.

890 HD BF incorporates a single gas valve which selects ignition pilot, with variable setting between low and high setting and is operated via remote control hand device or optional smart app device. This system is powered by mains electricity via pre-wired transformer plus supply cord. Alternative power supply is available for users during mains interruptions.

The 890 HD BF incorporates a safety device in form of an FLAME SUPERVISION DEVICE, which constantly monitors the flame and will cause the gas to be switched off if the flames are extinguished for any reason. **THIS DEVICE MUST NOT BE OVERRIDDEN.** If this situation occurs on a regular basis have the appliance checked by a qualified engineer. The problem may be due to a blocked or restricted flue.

Consumer Protection Information

As manufacturers and suppliers of heating products, we take every care to ensure that the design and construction has to meet the general safety requirements when properly used and installed. To this end, our products are thoroughly tested and examined before dispatch.

Any alteration that is not approved by the manufacturer could invalidate the approval of the appliance, operation of the warranty and could affect your statutory rights.

This appliance could contain some materials that could be interpreted as being injurious to health. It is the users / installers responsibility to wear protective clothing when handling the following materials. Artificial fuel, mineral wool, insulation material, refractory/ceramic fibres and glass yarn. May be harmful if inhaled, may be irritating to skin, eye, nose and throat.

When disposing of refractory / ceramic materials to keep dust to a minimum these materials should be securely wrapped in polythene and clearly labelled "RCF waste". These materials are not classified as hazardous waste and should be disposed of at a site licensed for disposal of industrial waste.

Important Information

The appliance is for use on Natural Gas (G20 @ 20mbar)

In Great Britain, the appliance must be installed by a competent person whose name appears on the gas safe register. All Gas Safe engineers should possess an ID carrying the logo below.

The glass front of this appliance acts as a dress guard, conforming to BS 1945 (1997) however a fireguard to BS6539 (1997) must be used to protect young children, the elderly or infirm.



The Appliance must not be used with the glass safety screen removed or if it is damaged or cracked.

During initial “burn off”, an odour may be evident during the first few hours of use. This is due to the surface coating on the metal work “burning off”. The odour produced is harmless and will disappear after a short period of time.

During the normal operation of the fire some black staining may appear on some parts of the fuel bed. This is quite normal. However, if excessive black staining occurs it may be due to the fuel bed shapes laid incorrectly. This should be checked prior to contacting a service engineer.

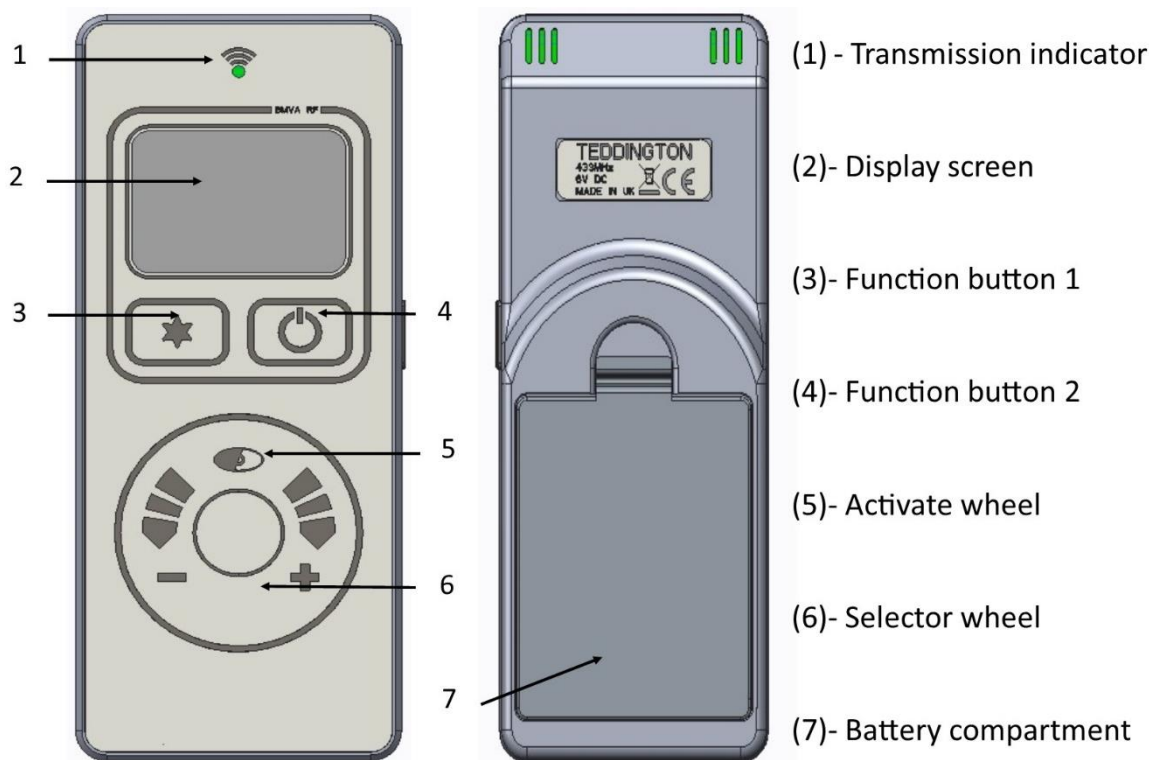
Care must be taken to prevent any damage being caused to surrounding soft furnishing or decoration. Many embossed vinyl coverings may become discoloured if placed too close to the appliance. It is suggested that a sample of the proposed wall covering should be placed above the appliance at its hottest point first. The appliance should then be run on high rate over a couple of days

It is advised that this appliance is serviced annually as recommended by Gas Safe. This is more likely to provide trouble-free operation and is a requirement of the extended warranty.

In GB (Great Britain) the fire does not require purpose built ventilation.

It is quite normal to experience expansion noises from within the metal work structure of the assembly. This will be more noticeable due the warm up and cool down period when operating the appliance.

Lighting the Appliance & General Operation of Control




Handset set up video





<http://www.charltonandjenrick.co.uk/handsetguide/>



Display overview

Press  to awaken the handset from its dormant sleep mode at any time. Fig 1 shows the display neutral, ready to turn on.

Turn on (start up).

Pressing and holding  displays an "UNLOCK" graphic Fig 2 prompting the  button to be pressed simultaneously. Whilst both  &  are pressed a progress bar Fig 3 will complete. If either button is released before the progress bar has completed the operation will cancel. Once the progress bar has completed the handset will display the status of the fire (priming – ignition – pilot – main burner) finishing at the fire "on" display screen Fig 4

Note: If repeated delayed ignition is experienced during startup it is recommended that the appliance is check by a gas safe engineer

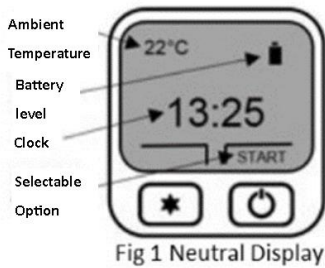


Fig 1 Neutral Display




Fig 2 Unlock graphic


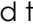


Fig 3 Progress bar


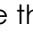
Flame height adjustment


Once the fire has been started (after a period of 10 minutes) the flame height can be decreased by moving your finger clockwise or increased moving your finger anti-clockwise using the selector wheel. Once the desired flame level is set, remove your finger from the selector wheel to transmit your selection to the receiver. Six flame levels are selectable. Press  whilst the display is active to display the current flame level.


Turn off (shut down)

To turn the appliance off, press and hold down  until the progress bar has completed. If the  is released before the progress bar has completed the operation will cancel.

Mode select


With the fire running on manual operation you can access three further "modes". Press  for "mode". Use the selection wheel to cycle through the three options, "Auto", "Sleep" and "Light". Press  to select "Auto" or "Sleep"

Sleep:- Use the selector wheel to choose from the available time range of 5 minutes to 1 hour 30 minutes. Once the desired countdown time has expired the appliance will turn off. By pressing the  button during the countdown will cancel the countdown timer if required.


Light:- Use the selector wheel and scroll to the "light" option. An appliance back light can be turned on or off by pressing the  button.

Note: The handset contains a sensitive temperature measurement device. To achieve the best thermostatic efficiency do not place the handset near the heat source, avoid covering, direct sunlight or near a draft or open window etc. Place the handset at a midpoint in the room or area being heated. Allow 5-10 minutes for the handset to stabilize if subjected to extremes of temperature.

Auto (Thermostatic) Control

Press  to awaken the handset from its dormant sleep mode at any time.

Selecting auto control

The "auto" function can only be selected once the appliances has been started and initiated into "manual" mode. Once in manual mode, press and release the  button to enter the "mode" options. Auto is the first option, press to enter auto mode.

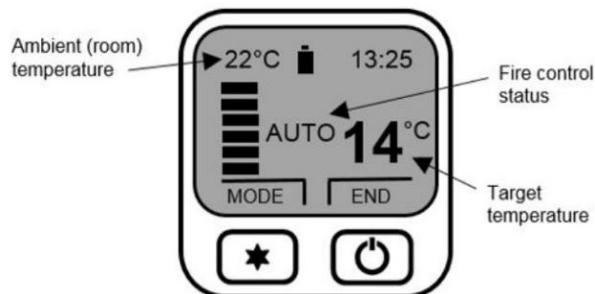


Fig 5 Auto Thermostatic mode

Adjusting target


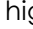
Use the selection wheel to increase or decrease the temperature to the desired level, release your finger from the wheel to transmit the target temperature (See Fig 5) to the receiver. The "auto" function will now modulate the flame height to achieve your target temperature. The selectable temperature range is 1°C to 29°C.

temperature

Cancelling auto function

Press  to "end" and cancel the "auto" control. The handset will return to manual control.

Menu features

The menu can be accessed by pressing and holding the  button (approx. 5 seconds) until the menu graphic completes (see fig 6). Use the selector wheel to highlight one of the available options. Press  to enter the required option.

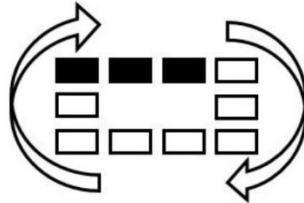






Fig 6 Menu Graphic




Set clock

The handset clock has a dedicated 24 hour display. Use the selector wheel to firstly set the hours. Press  to change to minutes select. Use the selector wheel to change the minutes. Press the  button to alternate hours and minutes to make any other alterations. Finally, press the  button to save the clock setting.

Display

Temperature display units-use selector wheel to select either Celsius (degree C) or Fahrenheit (degree F). Press the  button to save selection.

Gas fire (pair code)

The device screen displays the current operating channel of the handset. To delete the channel press  &  simultaneously or  to return to the menu option.

Reset

To restore the handset back to its original factory setting select "reset" from the menu options. Press - & - simultaneously to complete the reset command – to return to the menu options.

Changing the Handset Batteries.

The handset operates from four AAA 1.5V batteries. New alkaline batteries are recommended. Do not mix new and old batteries. When inserting the batteries, observe and position batteries according to the battery compartment graphics (see Fig 7). When the batteries are inserted the handset will attempt to pair.



Fig 7 Battery compartment

Cleaning the 890 HD BF Appliance

Ensure the appliance is cold before proceeding.

The outer metalwork frame should be cleaned using a dry duster.

To clean the glass panel, Loosen the bottom 5 M4 nuts but do not remove completely. Remove the remaining M4 nuts and glass clamps (See Fig 8). Carefully lift the glass panel from within the bottom glass clamp.



Using a damp cloth and warm soapy water will remove a majority of stains. For more substantial marking we recommend the use of ceramic hob cleaner. These are available from all leading supermarkets. The brands of hob cleaner we have tested and found suitable are "Hob brite" & "Bar Keepers Friend". Ensure the glass is dry and re-assemble.

Note- Never operate the appliance when the glass panel is removed or broken. The glass may discolour quickly when first installed, and it should be cleaned. This is due to the burning of the refractory fuel bed shapes.

To Clean the Pilot assembly. Loosen the bottom 5 M4 nuts but do not remove completely. Remove the remaining M4 nuts and glass clamps (See Fig 8). Carefully lift the glass panel from within the bottom glass clamp. Remove the log and bark chip shapes. Lift out the burner front cover. The pilot is located on the front right hand side of the appliance, remove any debris in or around the pilot head and the aeration hole. This can be achieved using the nozzle of a vacuum cleaner. It is advisable not to blow the debris within the pilot head or aeration hole as this may cause more of a restriction and not rectify the problem.

Note-Take care when cleaning in this area so as not to damage the pilot assembly.

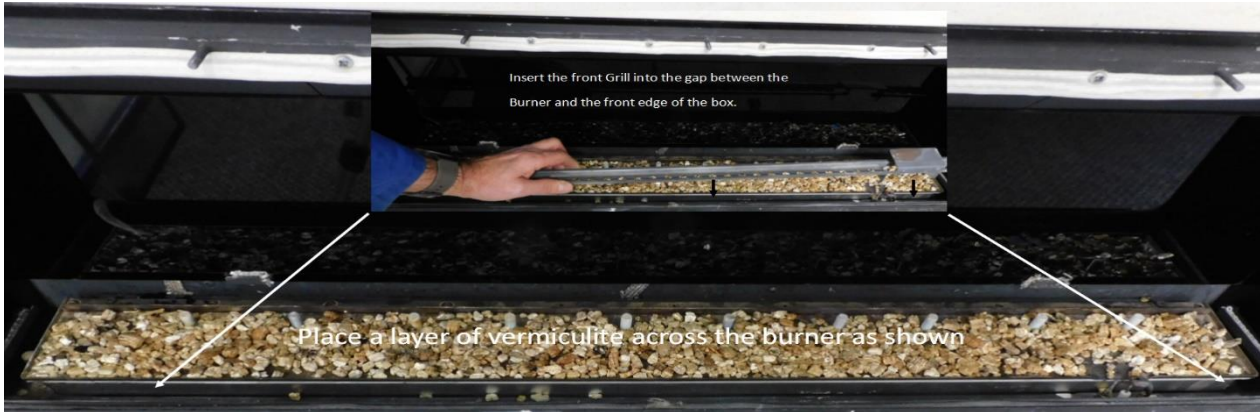
Cleaning the fuel bed shapes. (Please refer to customer protection information on page 2 of this booklet before cleaning or replacing any refractory materials).

The fuel bed components are delicate and they should be handled with great care. They can be brushed very gently with a soft brush to remove dust or any deposits. A vacuum cleaner may only be used after the loose components and moulded shapes have been removed from the 890 HD BF firebox.

It is important that all fuel bed shapes are positioned as shown in these instructions.

Fuel Bed Layout

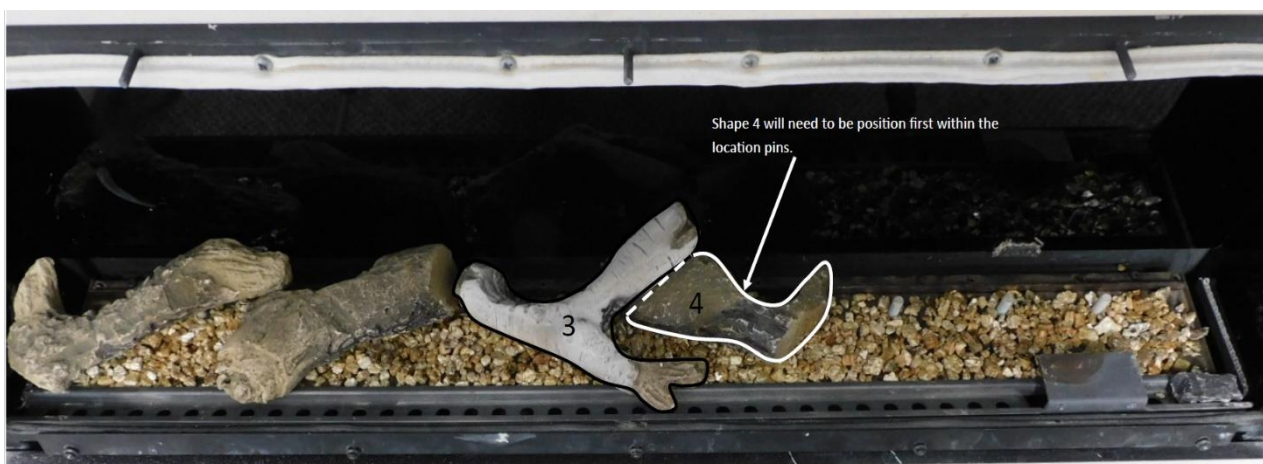
The Log & bark shapes must be positioned in accordance to the following instructions to give the correct flame picture & reduce the risk of glass staining.



Place a thin layer of vermiculite across the burner taking care around the pilot area. Insert the front grill into the gap between the burner and front edge of the box.

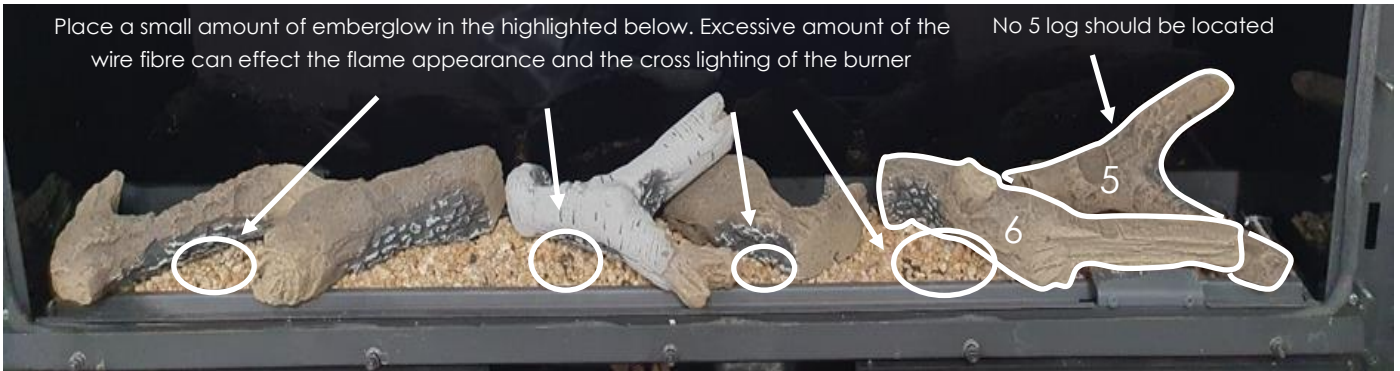


Locate the first 2 logs on their locating pins in the positions shown.



Place a further two log shapes as shown. No 4 shape will need to be located first.

890 HD BF USERS INSTRUCTIONS

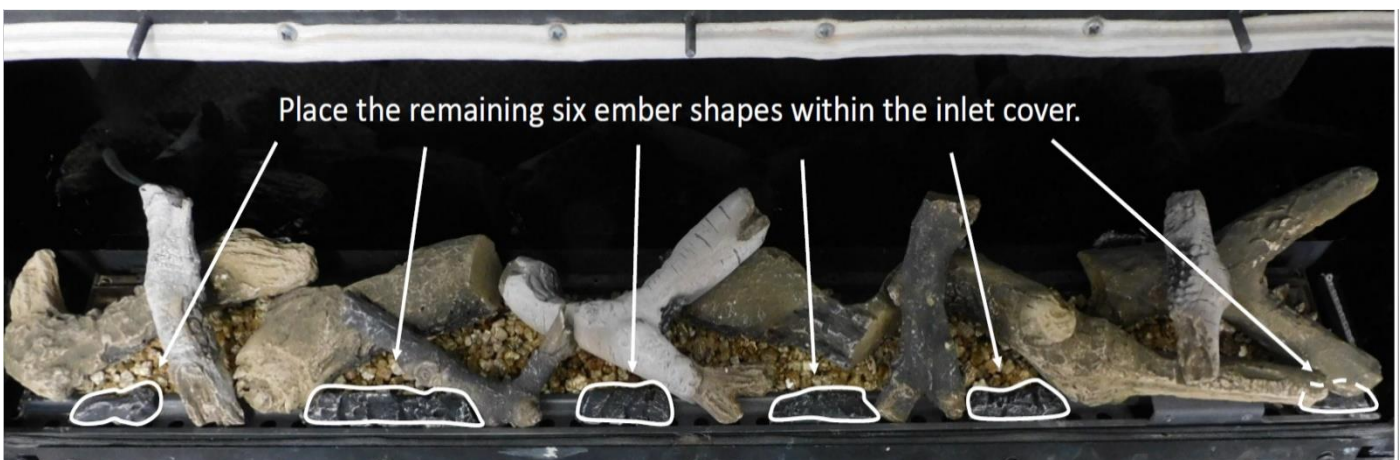


Place a further two log shapes as shown, No 5 shape will need to be located first. Place small pockets of emberglow in the area highlighted.



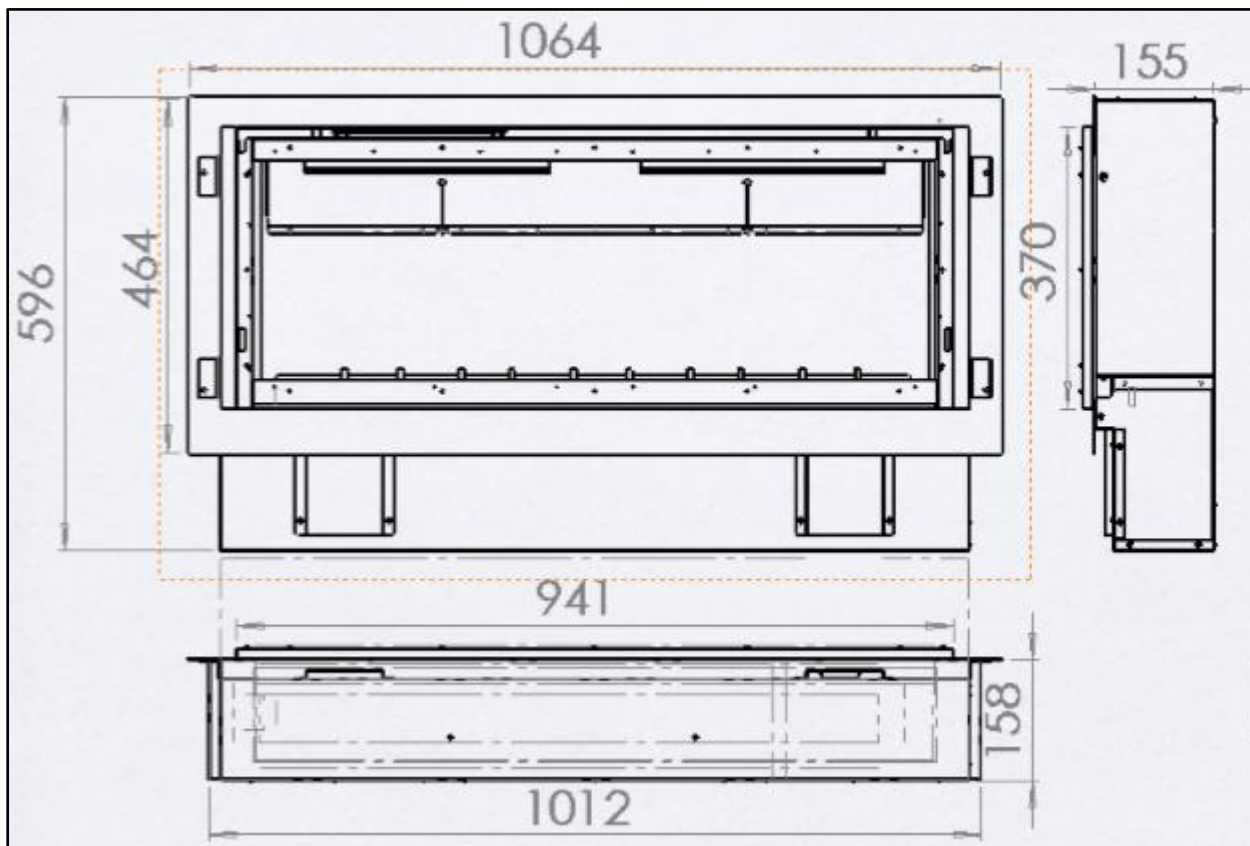
Place the four corresponding overlay shapes as shown.

Place the remaining six ember shapes within the inlet cover as shown.



Technical Specification

NOTE: The efficiency of this appliance has been measured as specified in BS EN613-2001 and the result is 81.8%. The gross calorific value of the fuel has been used for this efficiency calculation. Gastec have certified the test data from which it has been calculated. The efficiency value maybe used in the UK Government's Standard Assessment Procedure (SAP) for energy rating of dwellings.



Model	Gas CAT	Gas Type	Working Pressure	Injector	Gas Input	NOX Class	Country
890 HD BF	I2H	Natural Gas	20 mbar	Mrk 400	6.0 KW Gross	5	GB, IE

890 HD BF INSTALLATION INSTRUCTIONS

Packaging Check List
1 x Glass Panel
1 x Boxed Fuel Bed
1 x Transformer Plug
1 x Battery Holder
1 x Emergency Power Battery Adaptor
1 x RF Handset
4 x AAA 1.5V Batteries

Siting the Appliance

Regulation and warnings

This appliance must only be installed in Great Britain and Eire.

The appliance is suitable for use on natural gas only.

When fitted in the GB the fire does not require purpose provided ventilation

In GB it is the law that all gas appliances must be installed by a competent person GAS SAFE registered installer, in accordance with the Current Gas Safe (installation and user) Regulations. All relevant parts of the local and national building regulations and all relevant recommendations of the following British standards. Failure to do so could lead to prosecution.

The following are relevant codes of practice and British Standards:-

B.S 5871

B.S 5440 Part 1 & Part 2

B.S 6891

This appliance must be installed to current versions of the above standards and include any relevant amendments to:-

The building regulations issued by the department of the environment.

The building standards (Scotland) (Consolidated) Regulations issued by the Scottish development office.

Eire the appliance must be installed by a competent person and installed in accordance with the current edition of I.S 813 document gas installation, the current building regulations and the current ETCI rules for electrical installation, if appropriate.

Document J states: a carbon monoxide alarm should be fitted upon the installation of fixed combustion appliance.

890 HD BF INSTALLATION INSTRUCTIONS

Prior to installation ensure that the local distribution conditions (identification of the type of gas and pressure) and adjustment of the appliance are compatible G20 @ 20 mbar only.

The front of the fire act as a dress guard, conforming to BS 1945 (1971) and satisfies the heating appliance regulations (1991). However, a guard conforming to BS6539 (1984) must be used to protect young children, the elderly or infirm.

GENERAL REQUIREMENTS

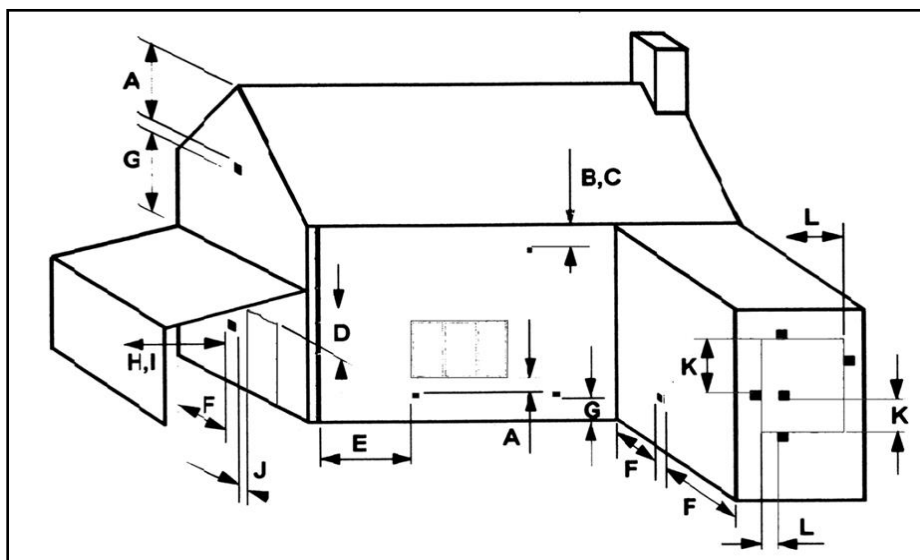
The flue and air duct length must be between 100mm to 600mm.

The fire is supplied with a standard pipe length of 600mm.

The flue and air duct must not have any bends or joints.

The flue outlet must terminate on a suitable outside wall.

The minimum flue terminal clearances, which must be maintained, are as shown below.



A.	Directly below an openable window or other opening. E.g. air brick	300mm
B.	Below gutters, soil pipes or drainpipes	300mm
C.	Below eaves	300mm
D.	Below balconies or carport roofs	600mm
E.	From vertical drainpipes and soil pipes	75mm
F.	From internal and external corners	300mm
G.	Above ground, roof or balcony level	370mm
H.	From a surface facing the terminal	600mm
I.	From a terminal facing the terminal	1200mm
J.	From an opening in a car port into a dwelling e.g. door, window, etc.	1200mm
K.	Vertically from a terminal on the same wall	1500mm
L.	Horizontally from a terminal on the same wall	300mm

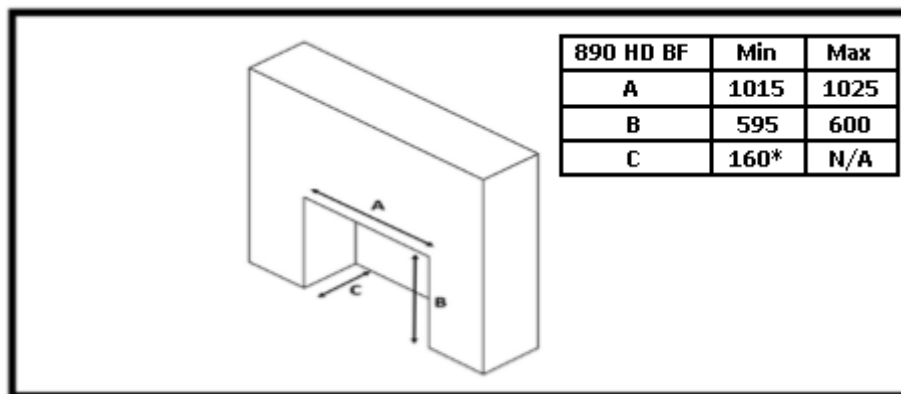
890 HD BF INSTALLATION INSTRUCTIONS

Please note with early cavity wall design prior to 1970. The minimum depth requirement may well be difficult to obtain. This could result in the need for the firebox to be spaced further from the internal surface of the plaster and to achieve this larger rebated surround maybe necessary.

Ensure that the transit bolts are removed from the top of the firebox before installation.

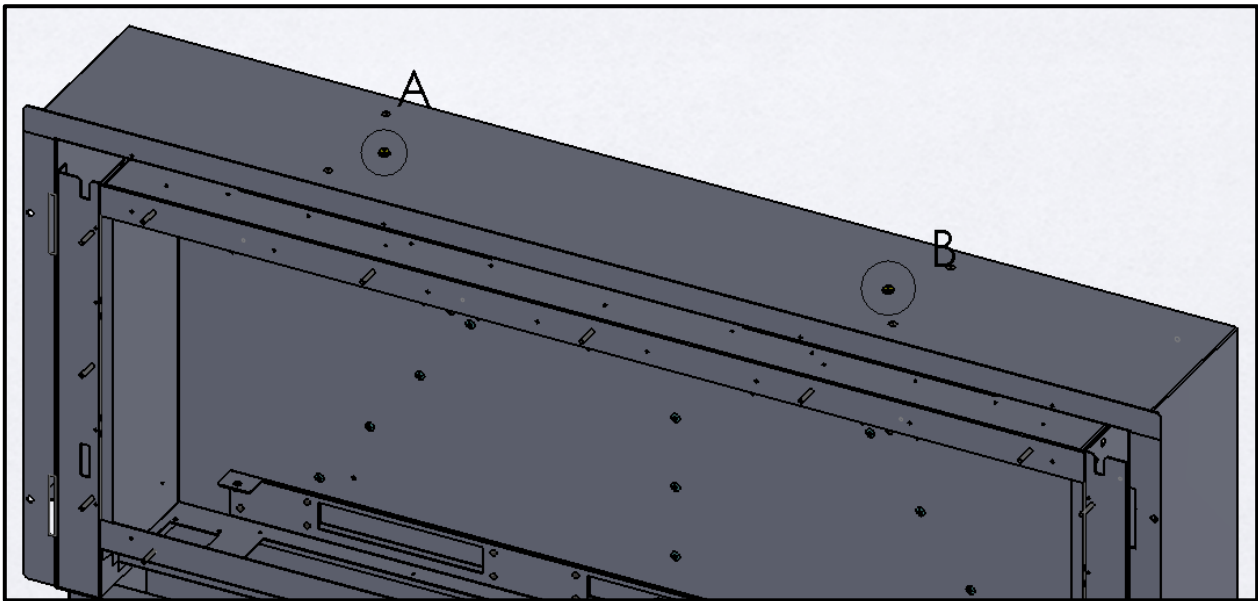
Check with the supplier or manufacturer that the surround meets 150°C minimum rating (attention should especially be given to manmade materials such as resin).

Builder's opening aperture size required to install this product.



*** Will required an additional 12mm of depth when installed Dry lined hole in the wall**

Ensure that the transit bolts are removed from the top of the firebox before installation.



Remove the 2 off M4 x 50mm transit bolts from the top of the firebox as show above.

These bolts are used to secure the explosion relief flaps in transit. Failure to remove them could put the user at risk if the fire were to experience an explosive ignition.



Ensure that the transit bolts are removed from the top of the firebox before installation.

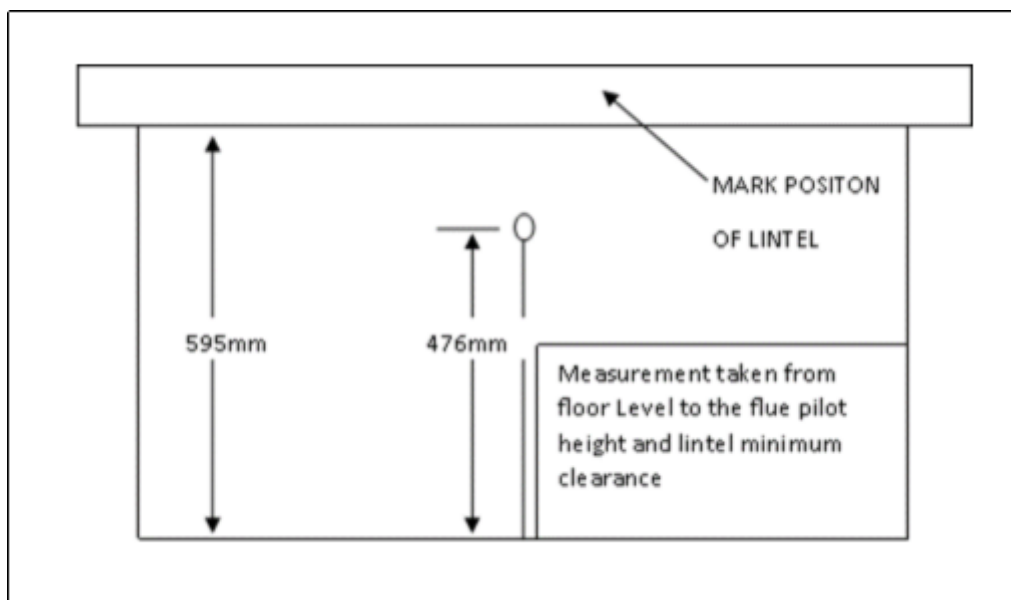
890 HD BF INSTALLATION INSTRUCTIONS

INSTALLING THE APPLIANCE INTO CAVITY WALL

Ensure there is a suitable outside wall constructed of non-combustible materials and that the flue position meets the requirements previously described.

Mark a vertical line on the wall at the intended centre of the appliance up from the horizontal line for a height of 476mm. Using a long masonry drill, make one pilot hole completely through the wall. Ensure the hole is drilled accurately at the centre and square to the wall both horizontally and vertically at the cross point previously marked.

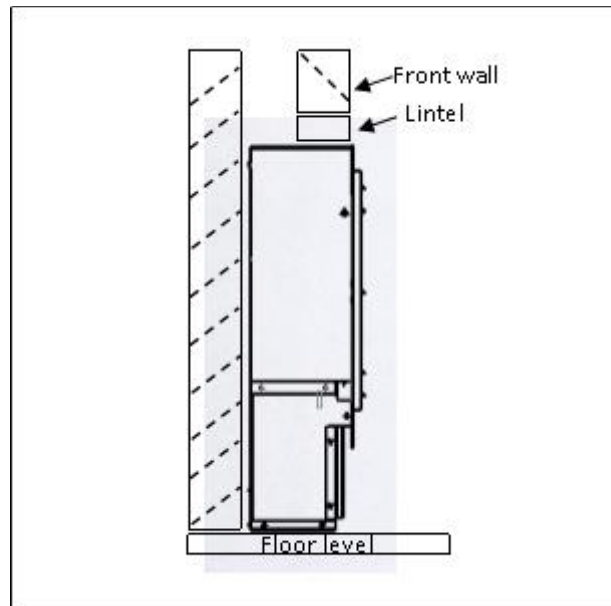
Cut out the brickwork of the inner skin of the cavity wall for the lintel, and fix the lintel. Cut out the brickwork under the lintel, between the two outside vertical lines into the cavity. Ensure the cut out width is square and try the appliance into the opening.



Using 150mm core drill cut a hole following the pilot hole. Drill from the outside through to the cavity to give a good finish on the outside. Remove any cavity insulation from the cut out opening and for a further 100mm into the cavity gap each side and above. Pack "Rockwool" around the sides and top of the opening into the cavity for a depth of 100mm. Also put some behind the firebox if space is available.

890 HD BF INSTALLATION INSTRUCTIONS

Open the firebox aperture as of the sizes stipulated in the previous section. Please note the firebox height from the floor may well vary dependent on the finished height the customer wishes to achieve or the fireplace that it is being installed with. The minimum finished height from the bottom of the trim to floor level is 187mm. Slide the firebox back into the chamber and secure the firebox in place.



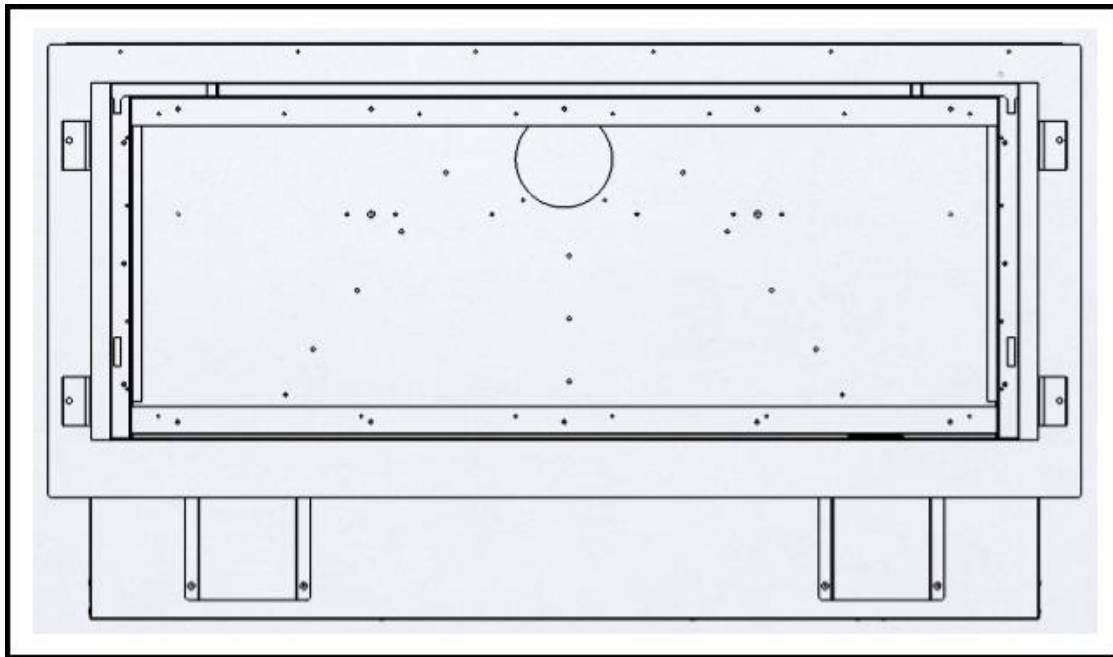
The 890 HD can be installed using three different methods when going hole in the wall and can also be installed within a fireplace.

- A- Hole in the wall using non-combustible slips or heat resistant plaster edge finish,
- B- Within a 25mm rebated fireplace.
- C- Hole in the wall Zero Clearance Kit.

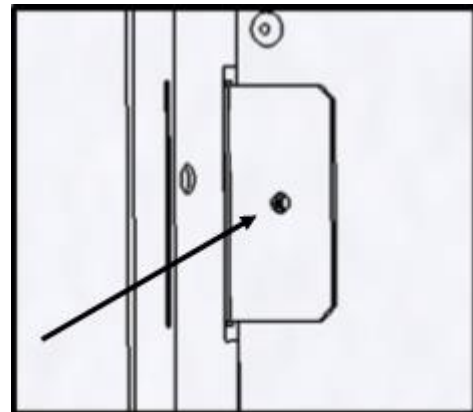
890 HD BF INSTALLATION INSTRUCTIONS

A-Hole in the wall with non-combustible slips or heat resistant plaster edge finish.

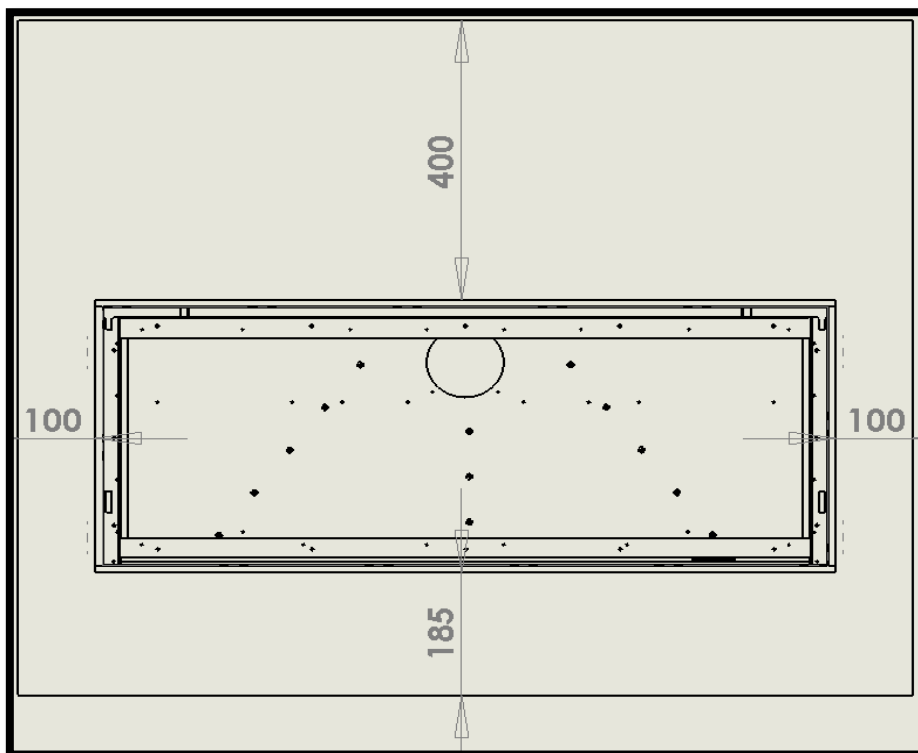
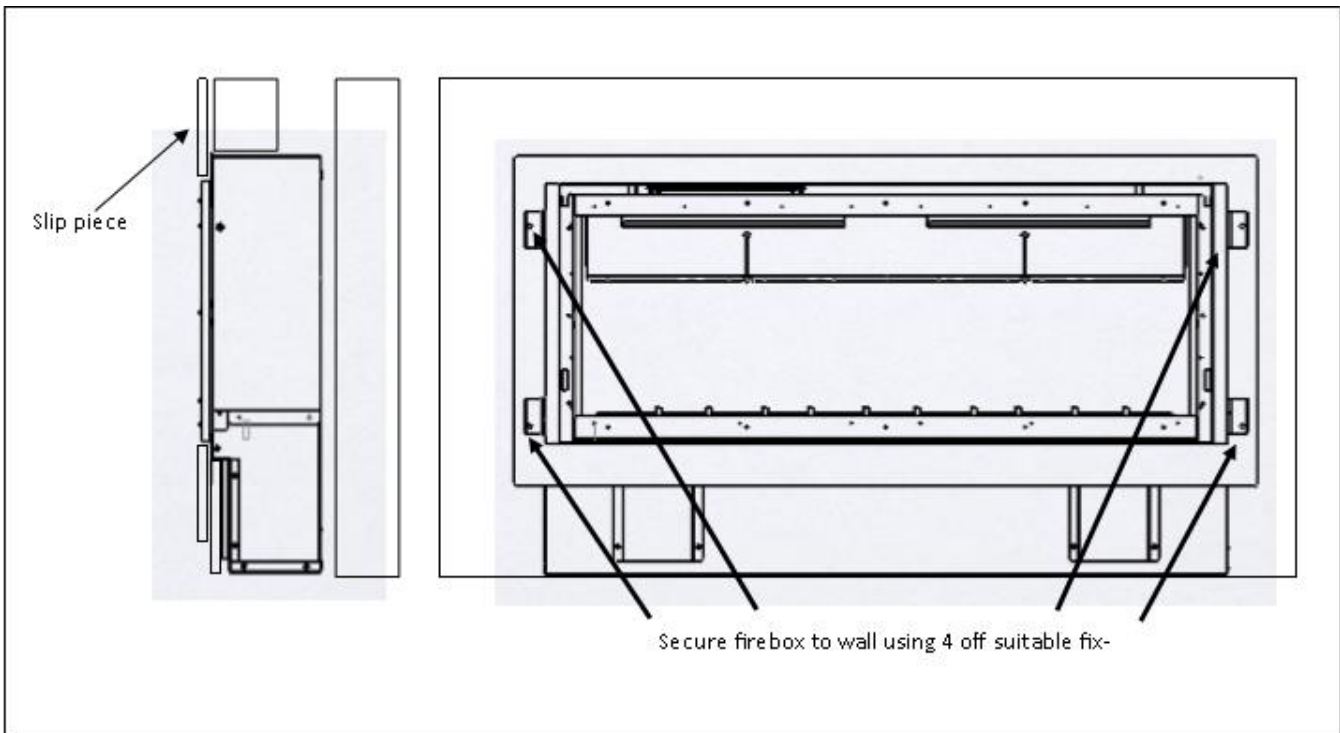
Please note:- We recommend the use of heat resistant board and finishing plaster directly around the edge of the slip plate assembly. This will reduce the risk of cracking of the plaster finish around the appliance but will not remove the chance of settle cracks appearing over a period of time.



Attach the slip plate assembly to the firebox using 4 off screws provided.



Using "rawl" plugs and screws retain the firebox via the 6mm holes within the slip plate.

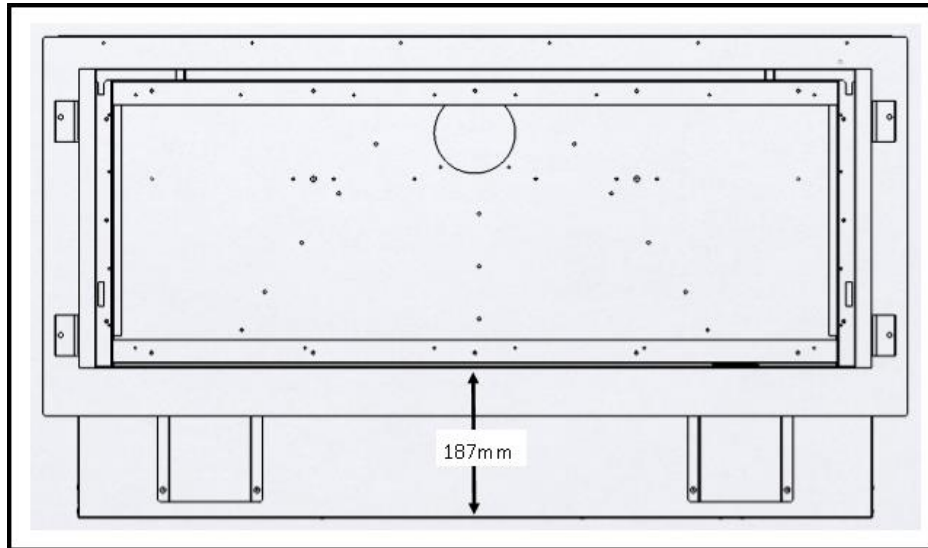


Following the guidance above fit non-combustible board and heat resistant finishing plaster directly around the appliance. Fit plaster board to the remaining chimney front. If a plaster edge finish is required, the fire box will need to be recessed against the internal masonry wall. **Please Note :-The minimum width of the slips required to cover the slip plate will be 100mm.**

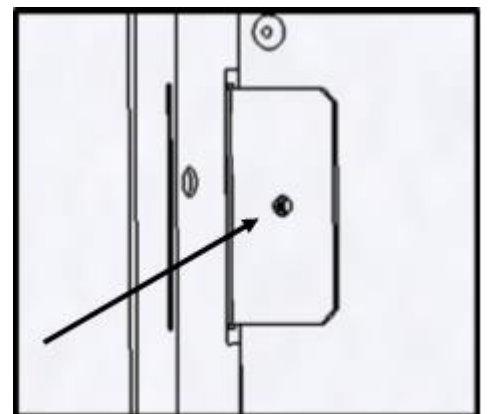
890 HD BF INSTALLATION INSTRUCTIONS

B- Within a 25mm rebated fireplace.

Determine the height that the firebox needs to be installed at from the floor level. This can be achieved by measuring the bottom slip and hearth height less 187mm. You will need to allow for the hearth bedding material.



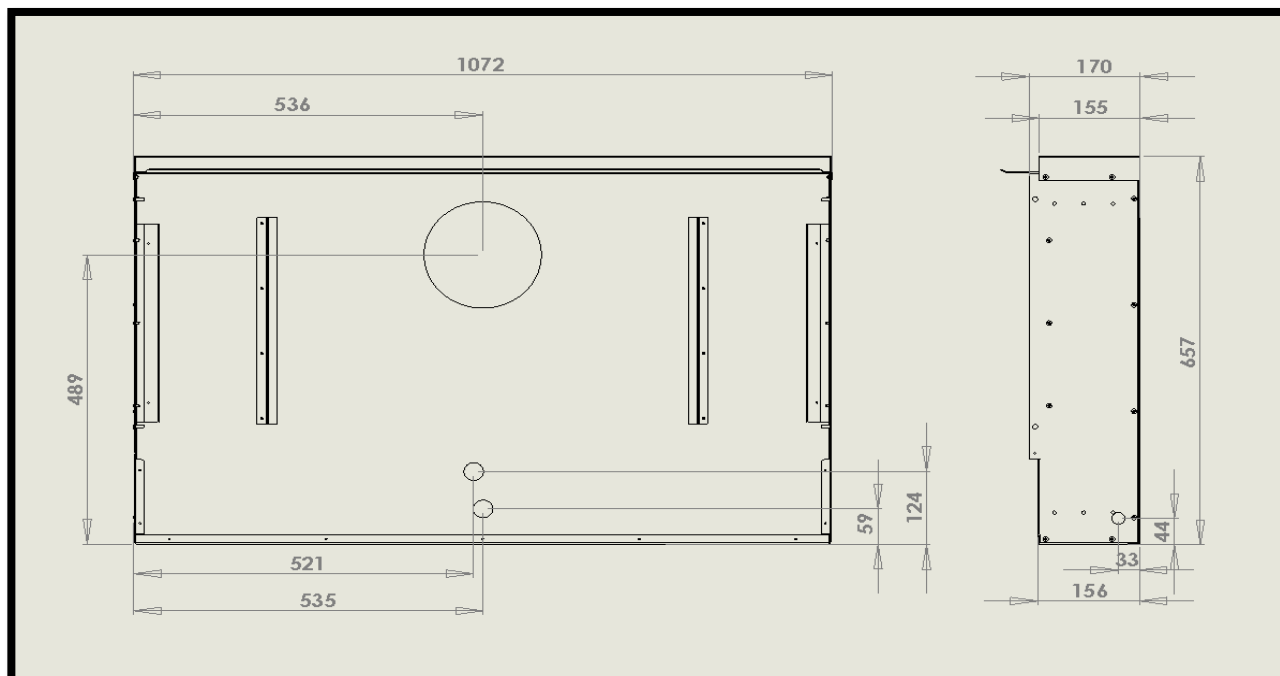
Attach the slip plate assembly to the firebox using 4 off screws provided.



Using "rawl" plugs and screws retain the firebox via the 6mm holes within the slip plate.

Install fireplace to complete the installation.

C-Hole in the wall Zero Clearance Kit (Dimensions)



Hole in the wall Zero Clearance Kit.

Please note the Zero clearance kit is designed to work in conjunction with standard Plaster and skim plaster finish. This doesn't remove the possibility of settlement which could result in cracking of the plaster finish over a period.

Ensure it is a suitable outside wall constructed of non-combustible materials and that the flue position meets the requirements previously described.

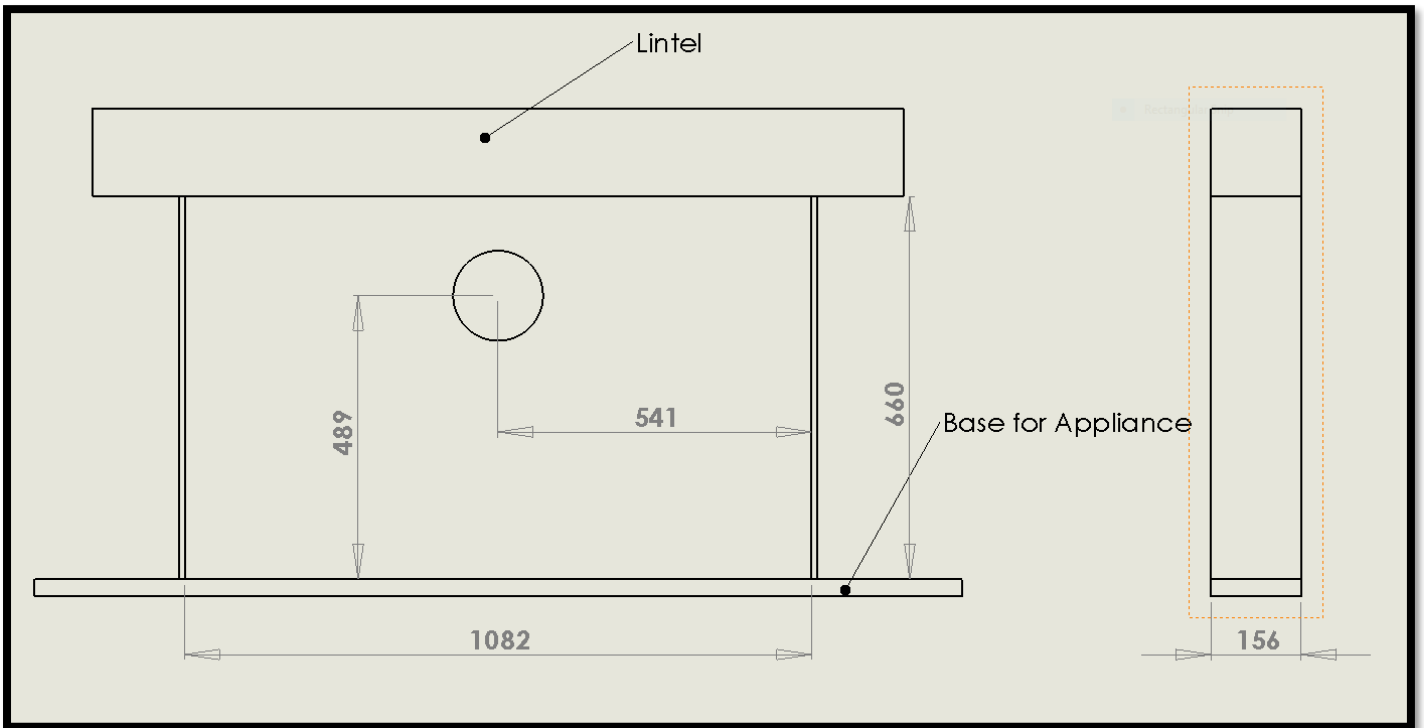
Mark a vertical line on the wall at the intended centre of the appliance up from the horizontal line for a height of 489mm. Using a long masonry drill, make one pilot hole completely through the wall. Ensure the hole is drilled accurately at the centre and square to the wall both horizontally and vertically at the cross point previously marked.

Cut out the brickwork of the inner skin of the cavity wall for the lintel, and fix the lintel. Cut out the brickwork under the lintel, between the two outside vertical lines into the cavity. Ensure the cut out width is square and try the appliance into the opening.

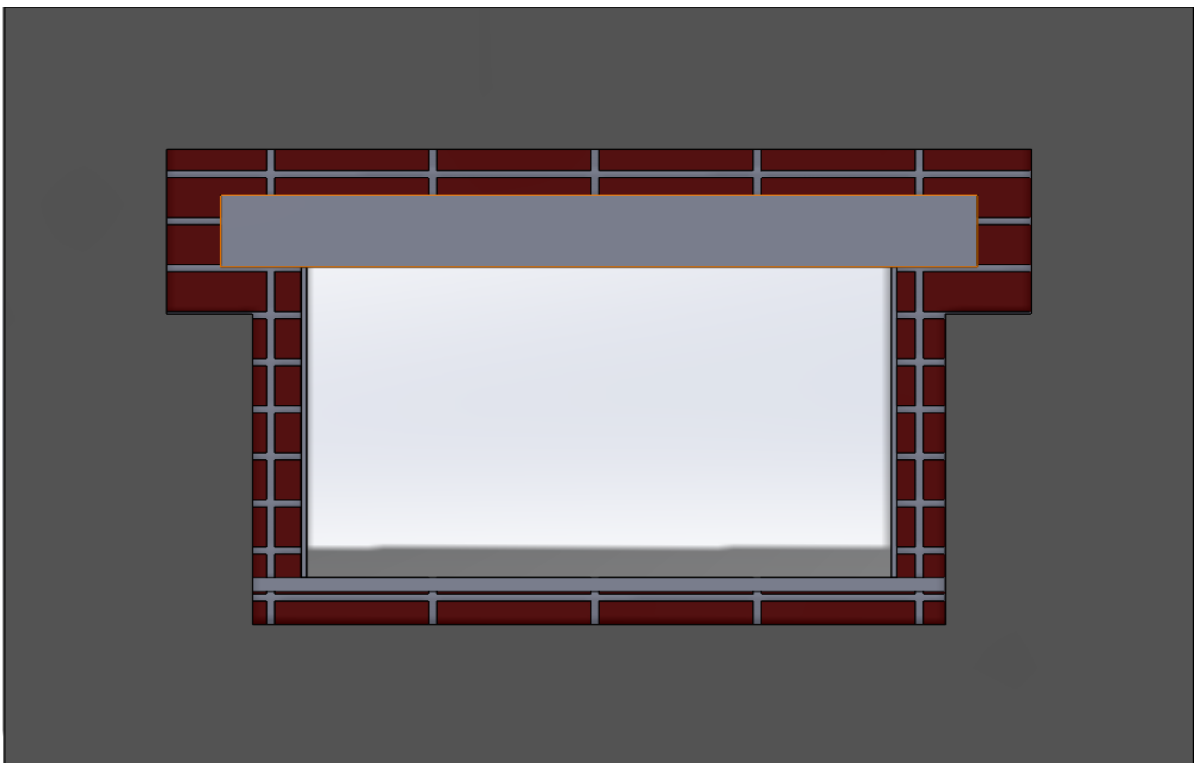
Using 150mm core drill cut a hole following the pilot hole. Drill from the outside through to the cavity to give a good finish on the outside. Remove any cavity insulation from the cut out opening and for a further 100mm into the cavity gap each side and above. Pack "Rockwool" around the sides and top of the opening into the cavity for a depth of 100mm. Also put some behind the firebox if space is available.

890 HD BF INSTALLATION INSTRUCTIONS

It is recommended to open out a larger area of plaster around the Zero kit outer box opening. This will

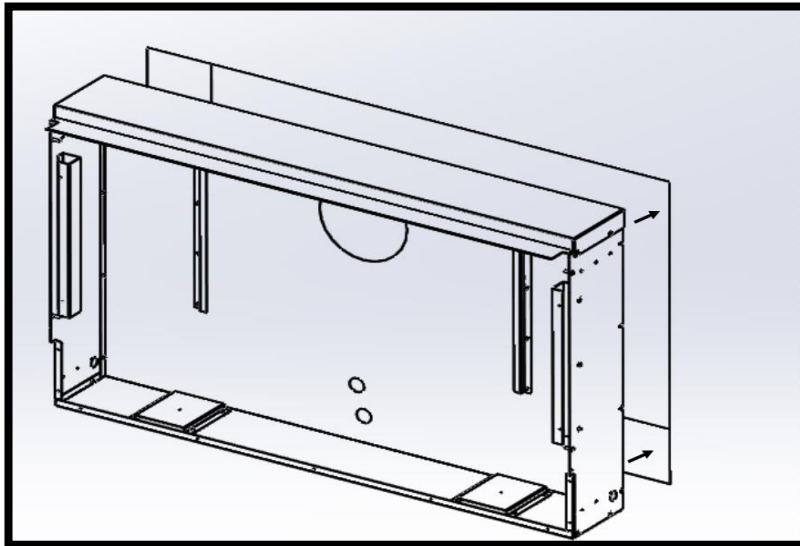


reduce the chance of settlement cracking during operation of the appliance.

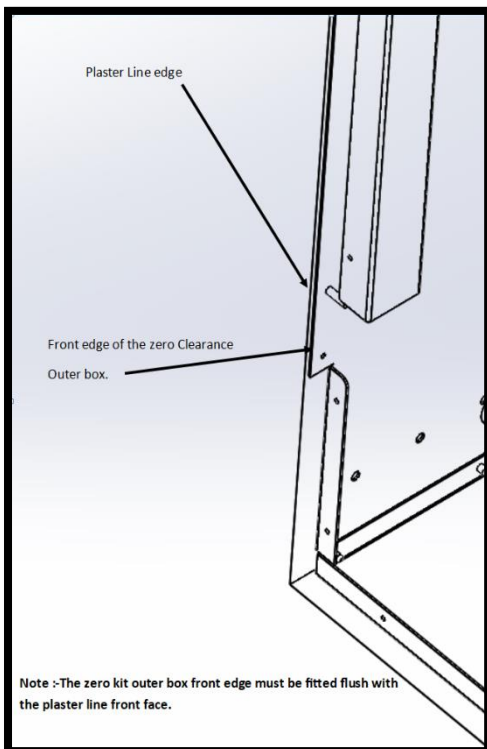


890 HD BF INSTALLATION INSTRUCTIONS

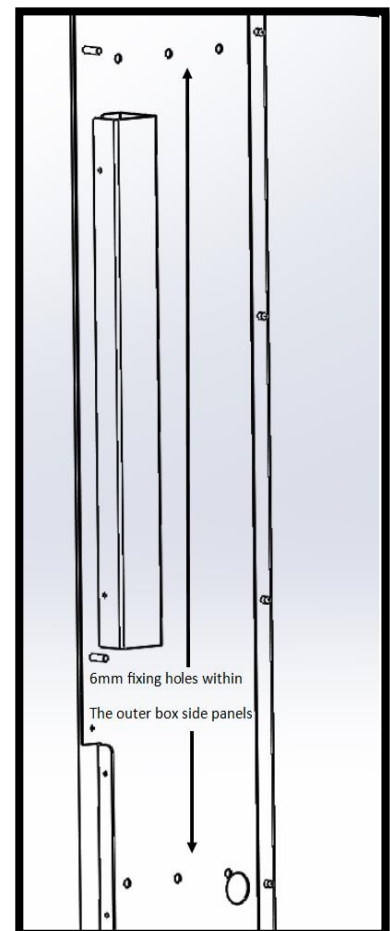
Before installing the zero kit outer box consideration must be taken into the routing of the gas connection and mains cable. The gas connection should be run through the rear of the box using the entry hole provided. The mains cable can be run via the rear or both sides using the cable entry hole provided. When routing the cable consideration should be taken to avoid contact with the appliance and flue assembly.



Secure the Outer box assembly within the open through the fixing holes present within the left- and right-hand side panel. Fix using suitable "rawl" plugs and fixing screw. **Please note that the front edge of the box should sit flush with the desired plaster line finish. Failure to do this will prevent the outer trim from being located correctly.**

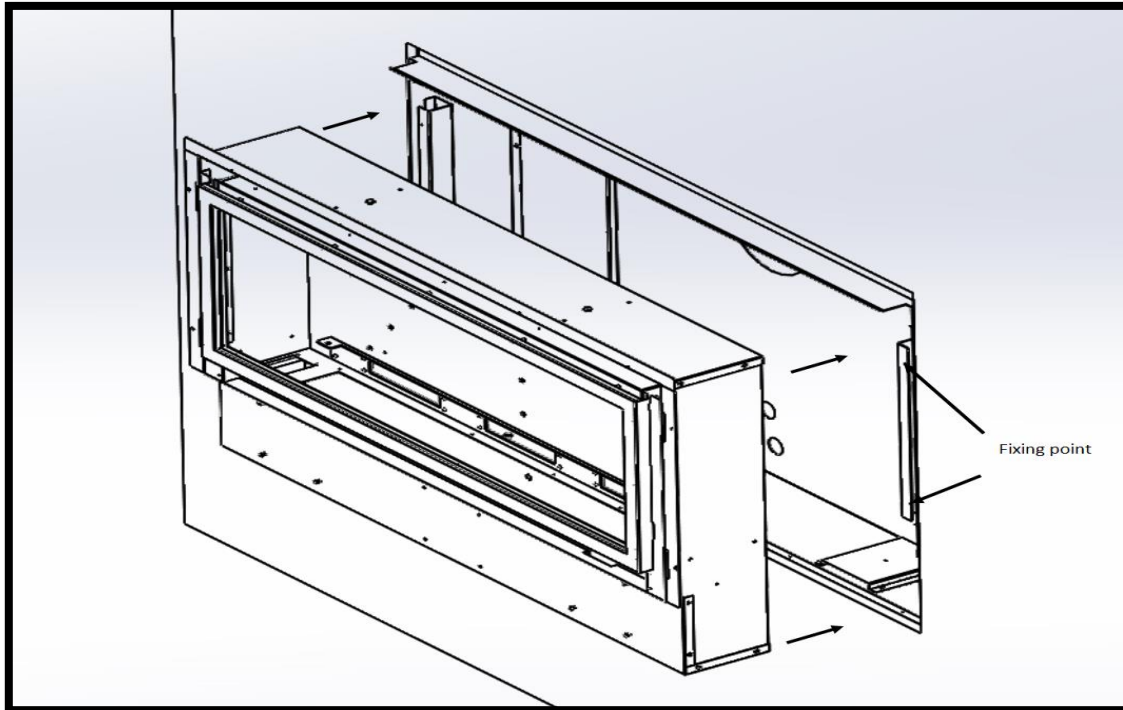


Using the 6mm holes within the outer box side panels. Secure the box using suitable "rawl" plugs and fixing screws.

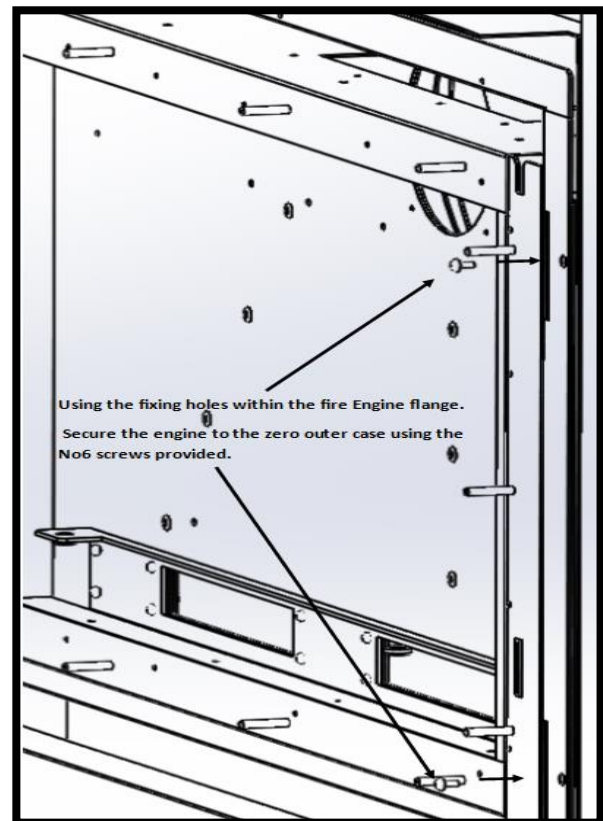


890 HD BF INSTALLATION INSTRUCTIONS

Slide the main Fire appliance engine within the Zero kit outer box making sure the flue pipes are fully engaged with the inner and outer flue spigot connections. **Please refer to sections flue connect, mains cable and gas connection guidance as this stage on pages 29 and 30 of these instructions.**

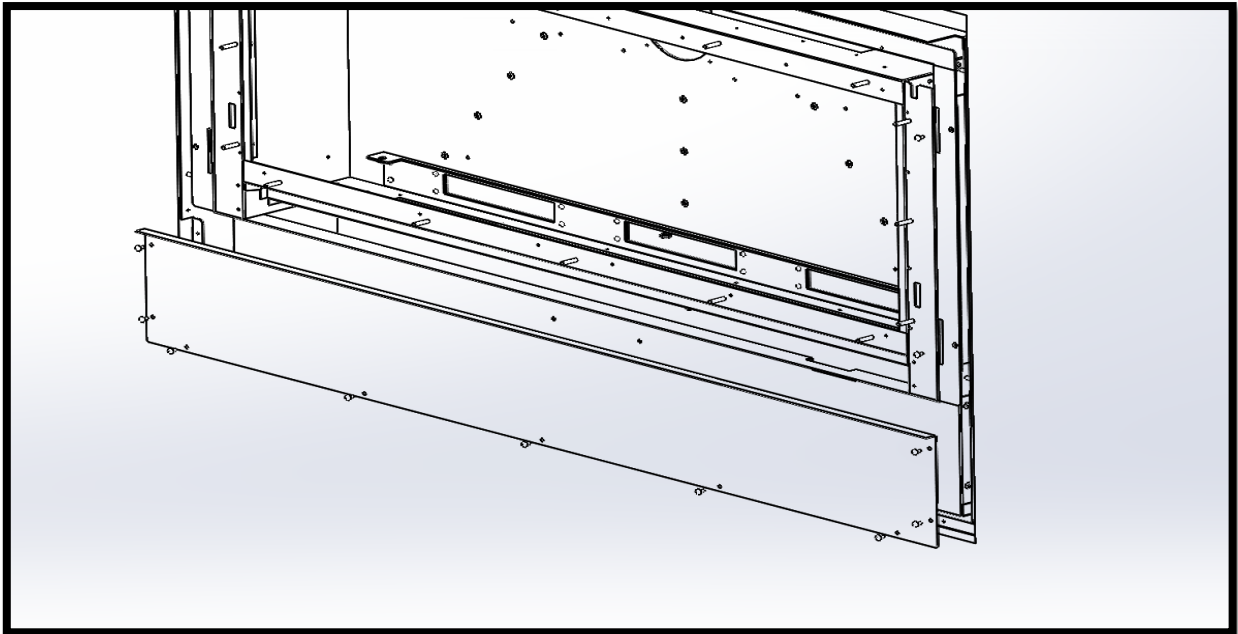


Secure the fire box engine within the zero-clearance box using the 4 off No6 screws provided.

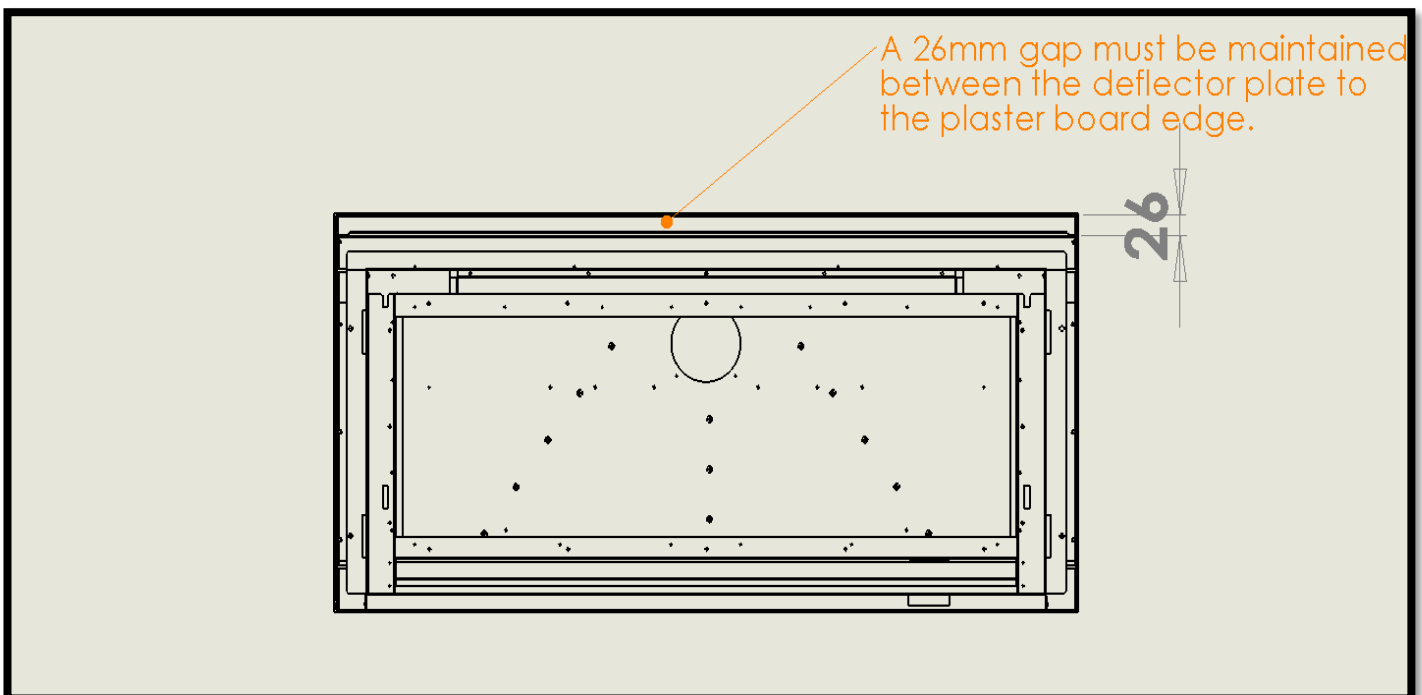


890 HD BF INSTALLATION INSTRUCTIONS

Attach the Zero kit front plate using the 9 x No6 screws provided.

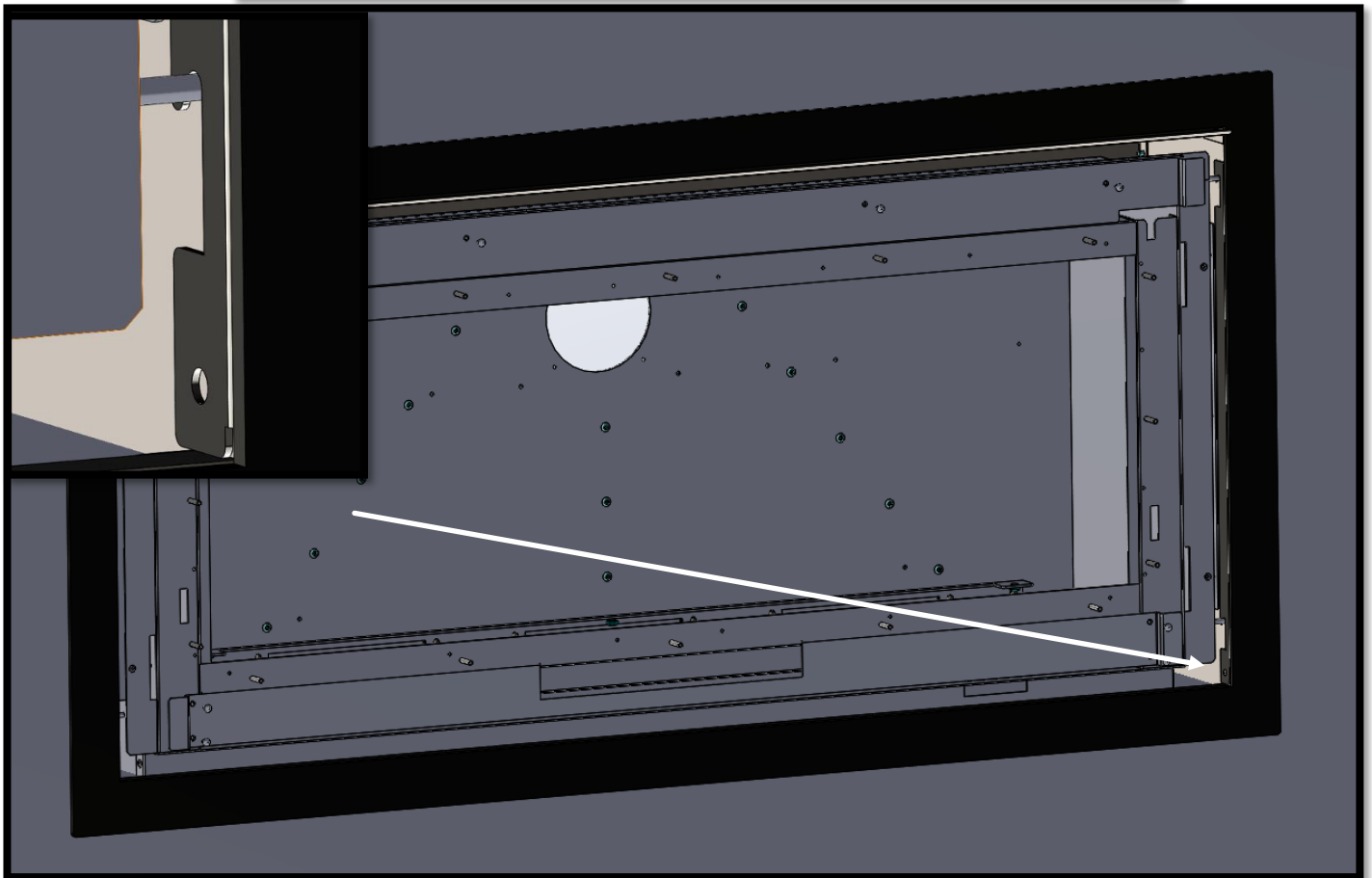
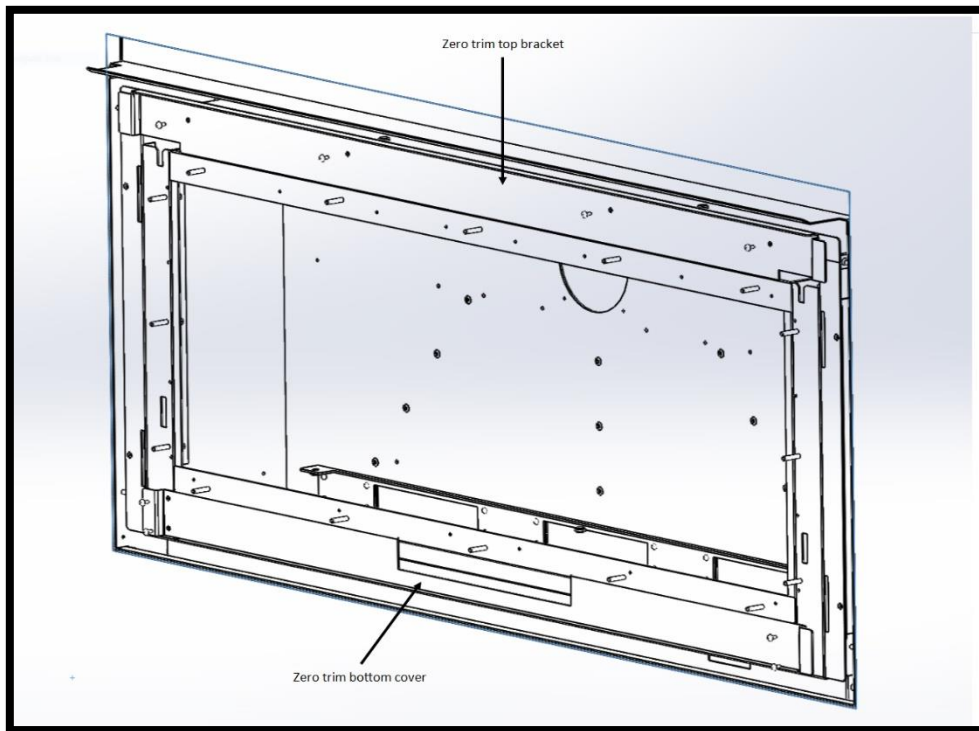


Finish the wall now to the front edge of the sides and bottom of the zero clearance box assembly using plasterboard and plaster skim. Please note a 26mm gap needs to be maintained between the deflector plate and the plaster board edge. (**Failure to maintain this gap could result in excessive settlement cracking when the appliance is in operation**). This gap will be cover by the outer trim assembly.



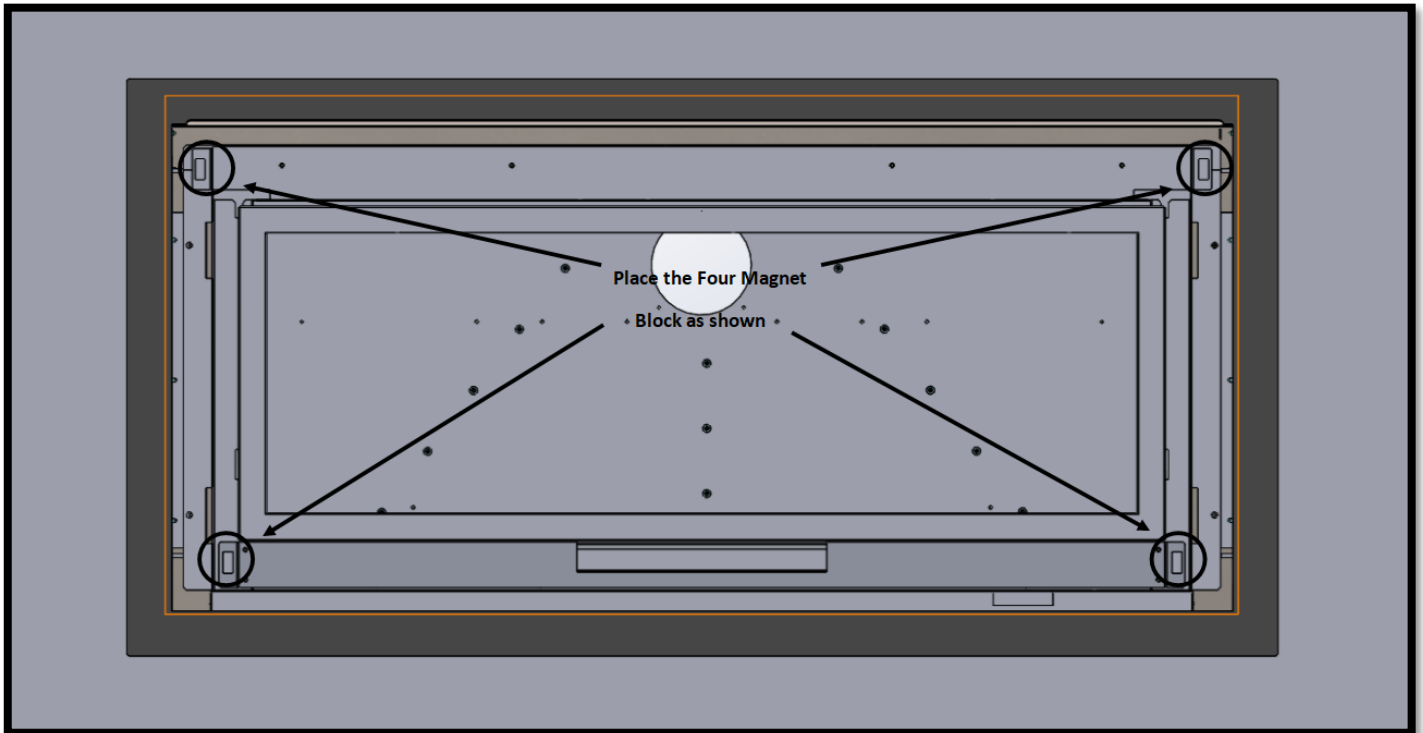
890 HD BF INSTALLATION INSTRUCTIONS

Attach the top and bottom cover plates using the 8 x No6 screws provided within the kit as shown below.



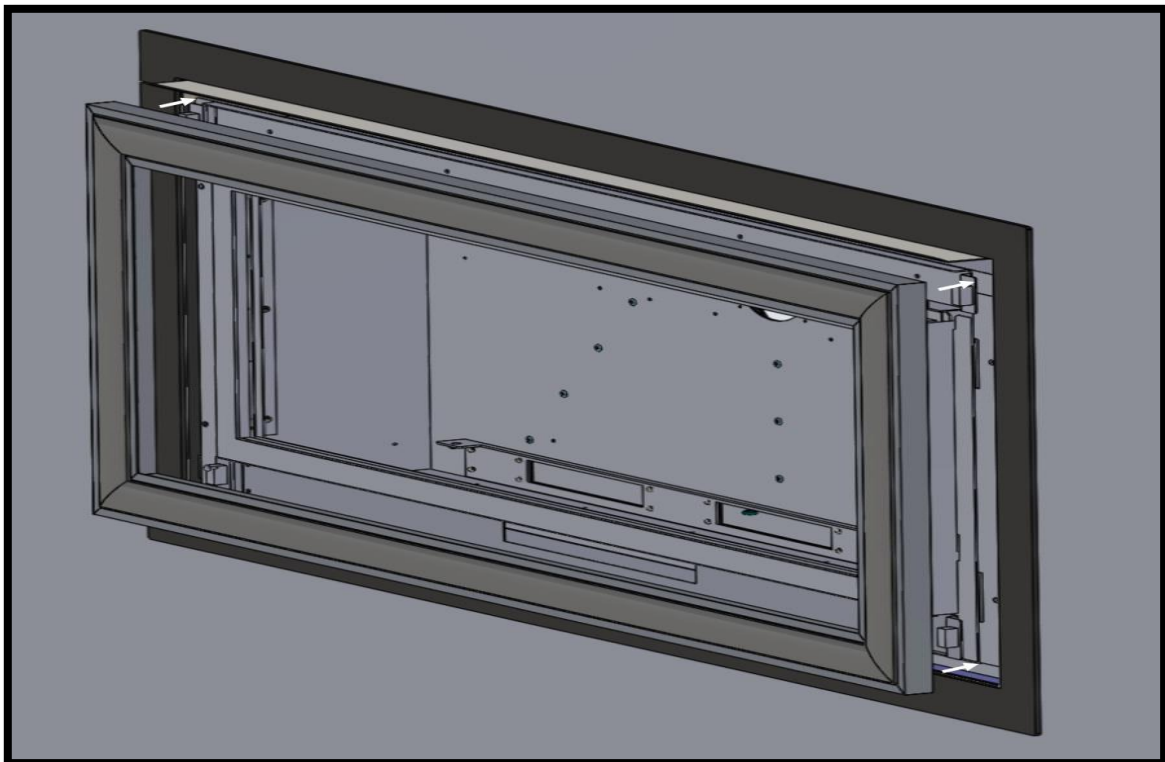
Locate the outer trim within the internal studs as shown.

890 HD BF INSTALLATION INSTRUCTIONS



Position the four block magnets upon the trim top bracket and the bottom cover plate with the raised areas as shown below.

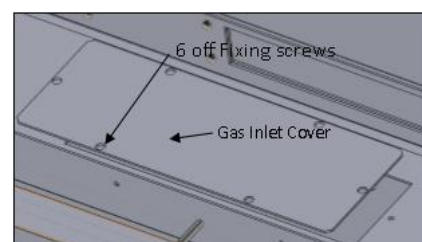
Locate the inner fascia below the deflector plate and within the outer trim assembly.



Gas supply routing.

Remove the three 4m screws from along the rear edge of the burner assembly. Carefully lift the burner up from the right hand side to clear the injector tip and remove completely from the main body.

The Gas Connection can be made by removing the lower inspection cover located on the base of the firebox sump. Remove the fixing screws (front 2 fixing will have spacers on this will help to keep the burner level when installing the burner) and remove the plate plus gasket. **Please note special attention should be taken not to damage the gasket.**



You will then have access to the isolating cock which is fitted in the supply feed.

A concealed gas fitting from the rear is required. It will be necessary to route the pipe to the rear of the unit, taking into account the requirements of BS 6891 1988 dealing with enclosed pipes.

When installing the firebox into a cavity wall, any part of the installation pipe work installed in the void open to the cavity wall must be enclosed in a gas tight sleeve. It must be sealed at the point at which the sleeved installation pipe enters the fire (The Gas Safety (Installation and Use) Regulations Certificate of exemption number 1 of 1996). Where the pipe enters the fire the outer sleeve must be sealed to the grommet and the pipe must be sealed to its outer sleeve using suitable mastic.

Power lead routing.

The power supply for this appliance is provided via AC power adaptor 230 VAC. The main cable terminates the rear center of the firebox. The length of the cable provided with the appliance is 1.65 metres. Care must be taken when siting the firebox not to trap the exposed main cable within the builders opening.

Note: the power cable link to the transformer must be accessible for repairing handset and use with the battery holder

The cable can be routed using the following two methods,

Method 1

Passing the cable through the side of the chimney breast. It is good practice to run the cable within a sleeve of at least 15mm internal diameter, sealing the sleeve using a suitable sealant at the point the sleeve / cable terminates the chimney masonry.

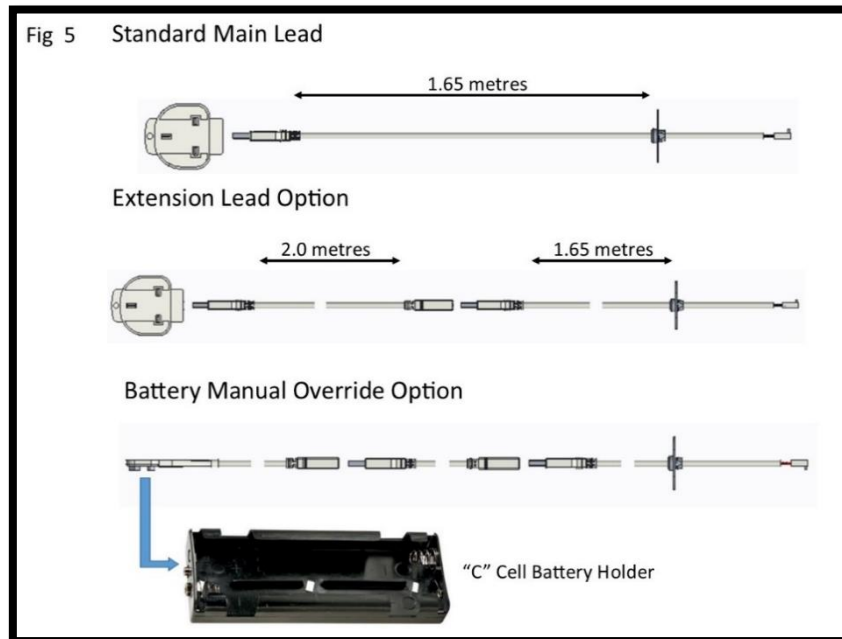
Method 2

Remove a channel out of the outer skin of the Dry / wet plaster of the chimney breast up to the main power point. Again it is good practice to run the cable within a sleeve of at least 15mm internal diameter.

With power points that exceed the 1.65 metre distance, an optional 2.0 metre extension cable is available Part No 7147.

The cable system consists of retro fitting plug sockets which offers the following options. (Please see figure 5).

890 HD BF INSTALLATION INSTRUCTIONS



The battery manual override option is a back-up supply in case of a power failure / power cut to the property. The battery holder and adaptor lead are provided within the packing of the appliance. (Please note that the "C" cell batteries are not included). It is good practice to demonstrate the battery option to the customer during the commissioning process.

The firebox assembly can be retained using the following two methods.

Flue connection

Once the fire is fixing in position pass a tape measure through the core-drilled hole and record the distance from the back of the fire to the outside wall. Cut the outer tube to the recorded length. Add **18mm** to this measurement to determine the length of the inner tube and cut to size.

NOTE: The inner tube will be 18mm longer than the outer tube

Using flue seal or fire cement apply a small bead to internal ends of both the inner and outer pipes to ensure an airtight seal is made when the flue is positioned onto the fire. Position the flue onto the fire ensuring they are fully mated and wall mounting brackets are in contact with the wall face. Secure the flue terminal to the outer wall using 4 off fixings. It is recommended to seal around the flue terminal to prevent the ingress of water and to reduce the chance of a draft.

If the flue outlet is fitted below 2m from the floor or a balcony, then the flue terminal guard must be fitted.

890 HD BF INSTALLATION INSTRUCTIONS

Commissioning the Appliance

Checking gas soundness and running pressure.

Note:- to carry out the following check the lower inspection cover will need to be removed with the burner assembly in place. Run the pressure gauge hose through the inlet slot along of the fire box.

Turn on the supply to the appliance and check for soundness in accordance with the current codes of practice.

Turn off the gas supply at the external isolation valve. Remove the pressure test point screw from the inlet elbow and connect the pressure gauge. Turn on the gas to the appliance at the isolation valve.

Light the appliance as described in the user instruction section. Page 5 turn on (startup). Check the inlet pressure is 20 mbar +/- 1.0 mbar with other appliances running.

Turn off gas supply, at the isolation valve. Disconnect the pressure gauge and replace the pressure test point screw.

Turn on the gas supply and check the pressure test point for soundness with detection fluid.

Refit the gas cover.

Fuel Bed Layout.

Fuel bed layout should be fitted using the guidance stipulated on pages 10-11 of the User Instruction section.

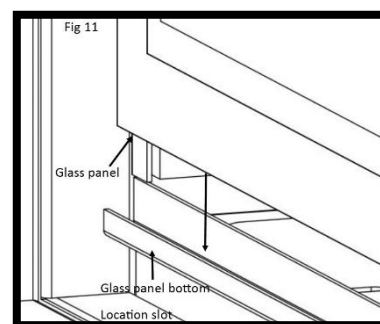
Fit Glass Panel.

Due to transit protection, the glass panel is packed with a protective sleeve within the packed appliance. Special care should be taken when removing the glass panel from the packing. The fixing brackets are attached to the fire box via 16 off M4 fixing nuts. Remove the nuts and remove the top and side fixing brackets. Leave the bottom bracket attached loosely to the firebox.

Locate the glass panel within the bottom retaining bracket and push back against the seals. (Please see Fig 11).

Position the top fixing bracket over the top edge of the glass panel and slide over the four M4 studs.

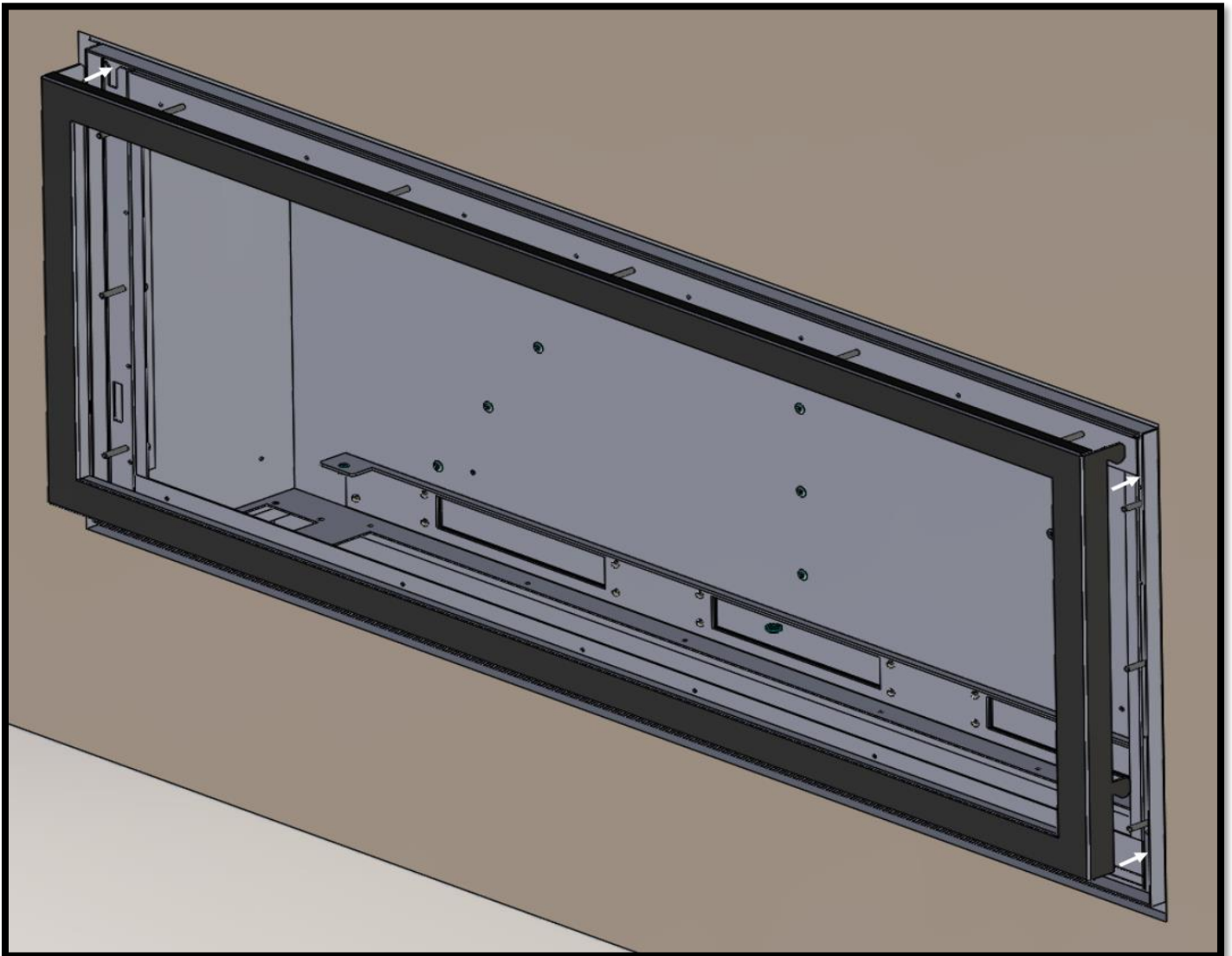
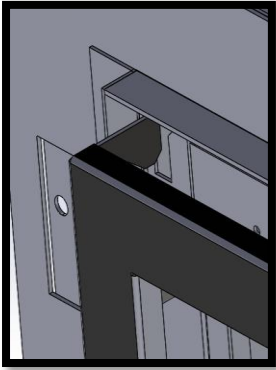
Using the five M4 nuts previously removed. Tighten the top glass fixing using the nut runner provided with the appliance, take care not to over tighten. Then fit the side retaining brackets in the same manner.



890 HD BF INSTALLATION INSTRUCTIONS

Fitting the glass fascia.

Using the guides shown below engage the glass fascia within the slots present within the fire box assembly.



890 HD BF INSTALLATION INSTRUCTIONS

Advise the Customer.

The glass front of this fire acts as a dress guard conforming to BS 1945 (1997) and satisfies the heating appliance regulations (1991) however; a fireguard conforming to BS6539 (1997) must be used to protect young children, the elderly, or infirm.

During initial "burn off", an odour may be evident during the first few hours of use. This is due to the surface coating on the metal work "burning off". The odour produced is harmless and will disappear after a short period of time.

Any debris should be cleared from the appliance.

The appliance should be serviced annually by a Gas Safe registered engineer in accordance with the Service instruction section.



Point out the position of the power source for the appliance, plus demonstrate using the additional battery holder and adaptor lead, the battery backup option. ("C" cell batteries not included within this appliance).

Demonstrate the lighting and extinguishing procedures to the user and the removal and refit of the glass panel for cleaning and the fitting of the battery back-up kit.

Hand these instruction over to the user along with the battery holder, adaptor lead plus M4 nut runner for the removal of the glass panel.

Please be aware that the non-reflective glass may in some lights and from some angles have a blue tinge to it this is perfectly normal. Also be aware that if the glass liners are fitted in the fire with the non-reflective glass you will still have a reflection in the glass liners.

Annual Service Requirement.

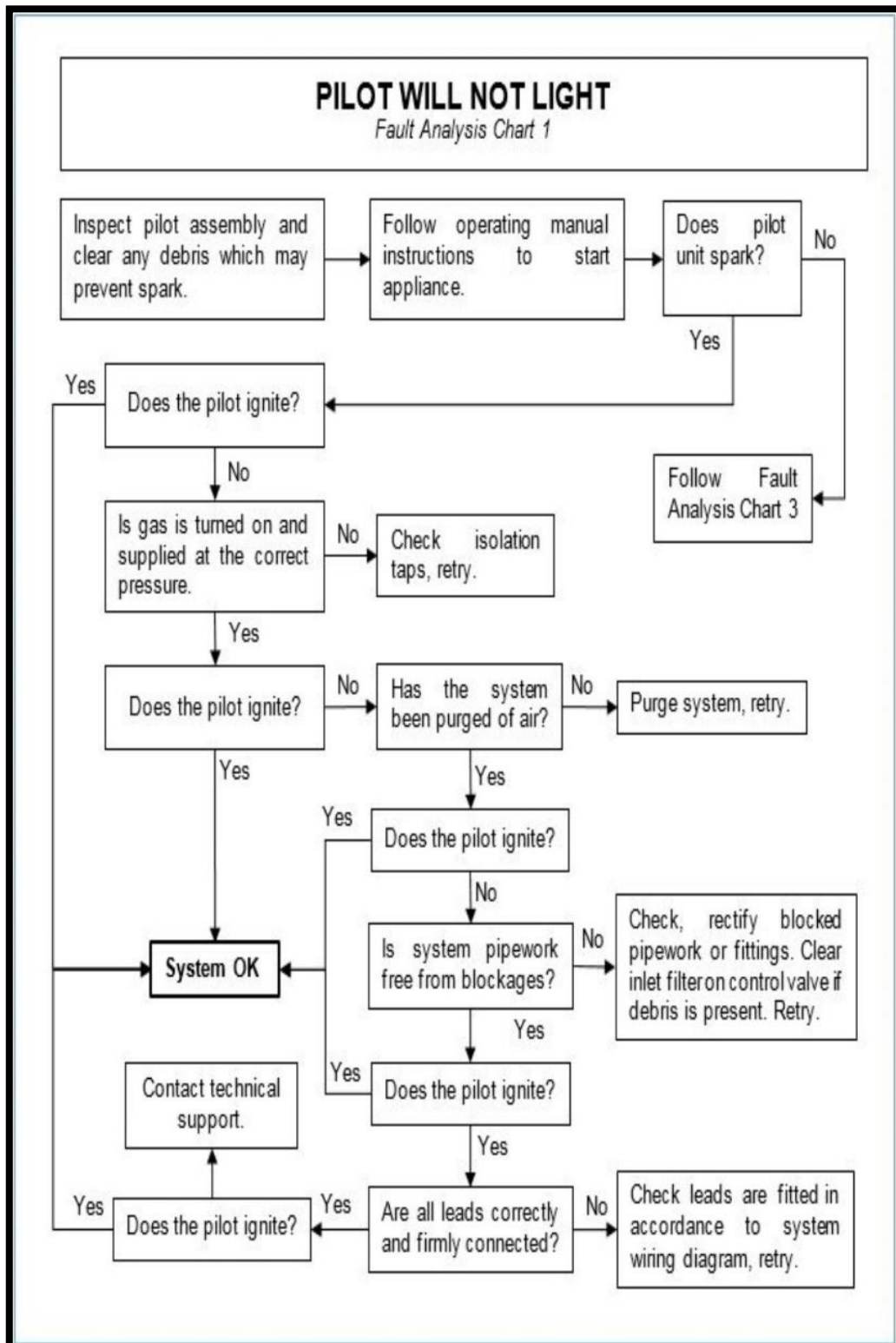
General

Servicing should be carried out annually by competent person whose name appears on the gas safe register. All Gas Safe engineers should possess an ID carrying the logo below.

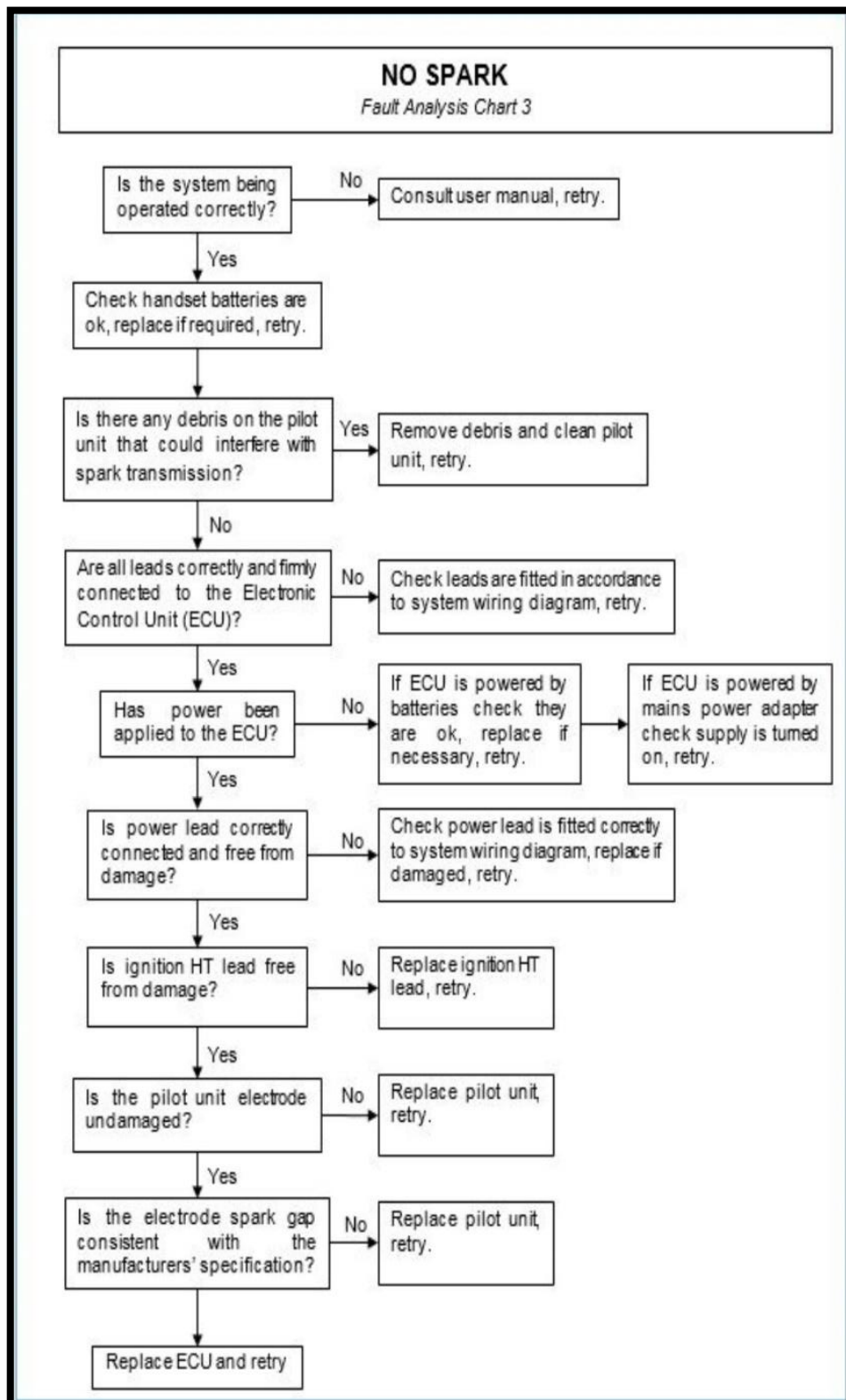
Before commencing any service or replacement of part, turn off the gas supply to the fire. After servicing check for gas soundness.

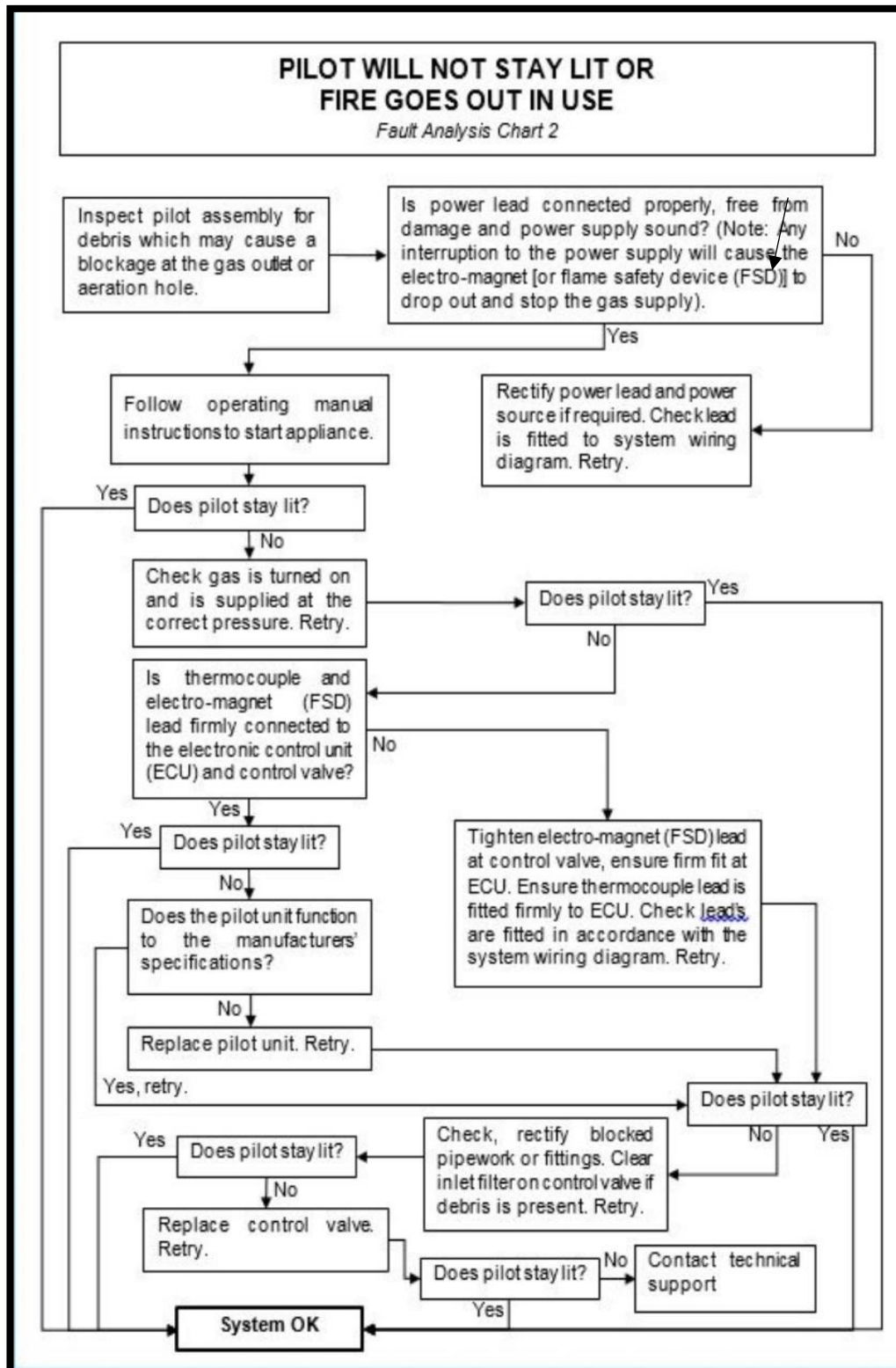
When ordering spare parts please quote the appliance name and serial number.

890 HD BF SERVICE / FAULT FINDING INSTRUCTIONS

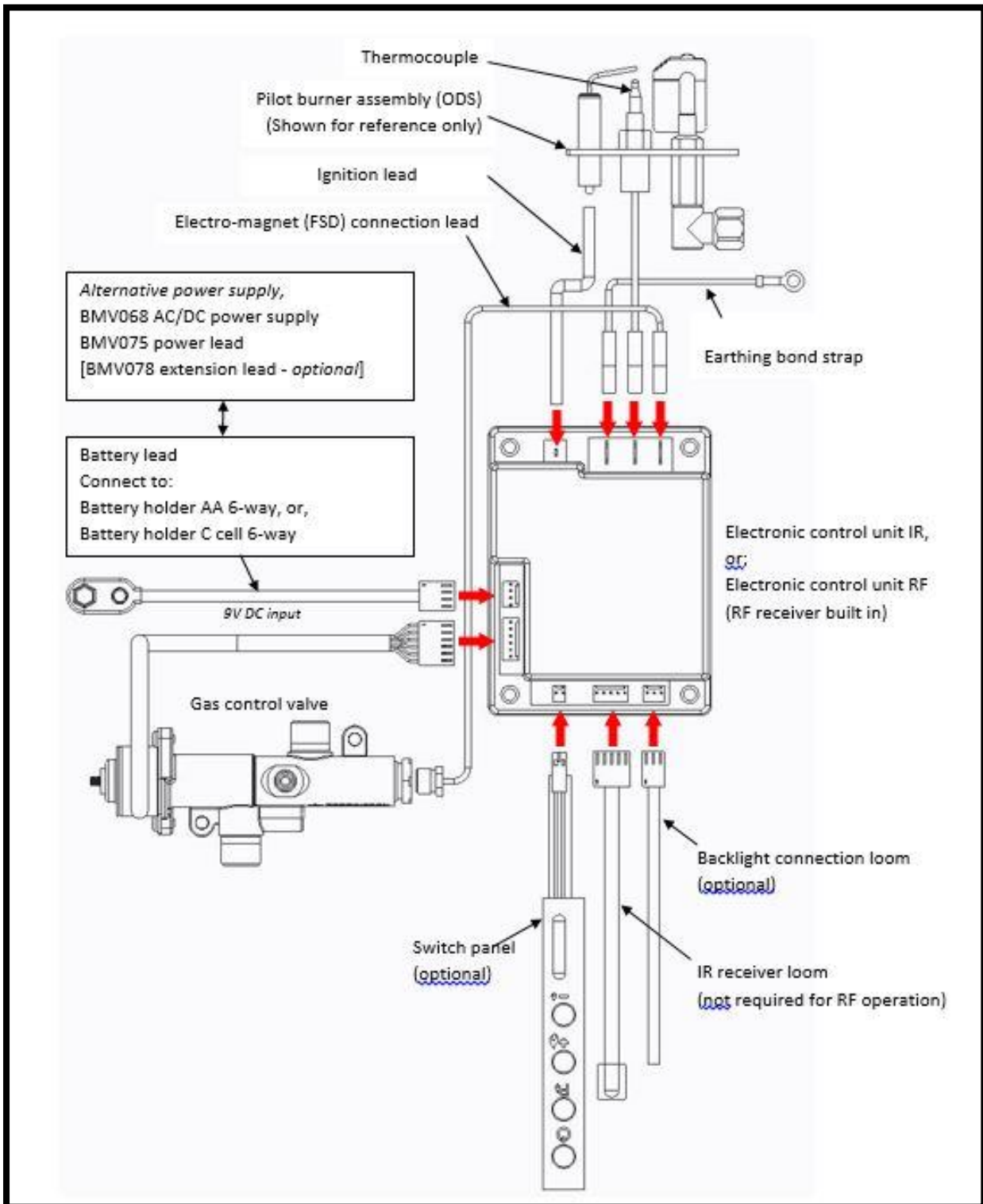


Maintenance





890 HD BF SERVICE / FAULT FINDING INSTRUCTIONS



890 HD BF MAINTENANCE INSTRUCTIONS

Replacement of Gas Control

1. Remove the inner front fascia.
2. Slacken the lower retaining bracket but do not remove it completely. Remove the 3 off glass retaining brackets positioned on both sides and top of the glass panel and remove the glass panel.
3. Remove all shapes, vermiculite, burner front cover plate and the burner.
4. Remove the fixing screws from the lower inspection plate and remove.
5. Shut off restrictor. Break the 8mm compression joint on valve inlet and remove the inlet pipe.
6. Remove the 4 fixing screws from the injector cover plate.
7. Disconnect and remove the pilot bracket from the pilot feed pipe and thermocouple.
8. Remove the two fixing nuts fixing the burner sump to the firebox base. Lift the complete burner sump assembly out of the firebox.
9. With the sump assembly removed. Disconnect the Valve Motor wire from the E.D.B.
10. Disconnect all the pipes and thermocouple from the Gas Valve.
11. Change, service or replace the valve and re-assemble in reverse order. When replacing the gas valve the low rate will need to be set.
12. Re-assemble the complete tray into the fire in reverse order and re-connect all parts.
13. Turn on the Gas supply, check for soundness and re-commission.

Replacement of Injector

1. Repeat operations 1-4 for removal of gas control.
2. Remove the injector retaining nut (14mm) and the injector support bracket to enable access to the injector nut (16mm)
3. Clean or replace injector and replace in reverse order, ensuring that the seal around the injector fixing is sound (change if in doubt).
4. Turn on the gas supply, check for soundness and re- commission.

Replacement of the Thermocouple

1. Repeat operations 1-4 for removal of gas control.
2. Remove the Thermocouple from the rear of the Valve.
3. Disconnect the Thermocouple wires from the E.D.B.
4. Undo the Thermocouple nut from the pilot assembly, remove the Thermocouple and replace.
5. Replace in reverse order, turn on gas supply, check for soundness, correct operation and re-commission.

Replacement of the Pilot Injector

1. Repeat operations 1-4 for removal of gas control.
2. Undo the pilot tube nut and Thermocouple retaining nut at the pilot bracket.
3. Remove the two pilot bracket retaining screws
4. Pull the pilot bracket gently upwards taking care not to damage the pipe or olive hook nut.
5. Remove the pilot injector from the top of the pilot pipe.
6. Replace pilot injector. This part is not serviceable.

890 HD BF MAINTENANCE INSTRUCTIONS

Replacement of the EDB Unit

1. Repeat operations 1-4 for removal of gas control.
2. Remove the fixing screws from the lower inspection cover and remove along with its gasket.
3. Remove all the wires and connections from the E.D.B. taking great care not to pull on the wires.
4. Remove the M3 nut and remove the E.D.B.
5. Replace E.D.B. and reconnect all the wires
6. Re-assemble in the reverse order.

Turn on the gas supply, check for gas soundness, operation and re-commission appliance.

Replacement of the expansion relief flap gaskets

You will require both gaskets before attempting this repair.

1. Repeat operations 1-3 for removal of gas control.
2. Remove side glass panels by removing the top bracket.
3. Remove the rear glass panel.
4. Remove the fixing screws and top baffle plate.
5. Remove the 8 fixing screw to remove the assembly from the firebox.
6. Replace both gaskets.
7. Re-assemble in the reverse order.

Turn on the gas supply, check for gas soundness, operation and re-commission appliance.

Replacement Handset

Follow the guide stipulated on page 8 of the users instructions "Changing the handset batteries" to load the batteries into the new handset.

The replacement handset will need to be paired again to the ECU unit.


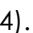

Pairing Handset

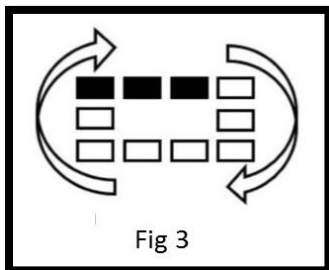
- Press eye button to wake handset
- Press &hold star button till menu is displayed –wait for box to fill
- Use wheel to scroll to display – "gas Fire"
- If not paired select – "PAIR"
- While fire is searching disconnect the power lead from the transformer
- Reconnect the transformer (should hear a beep to confirm power reconnected)
- Fire should then be paired

890 HD BF MAINTENANCE INSTRUCTIONS

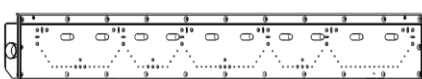
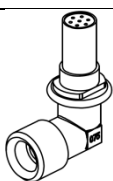
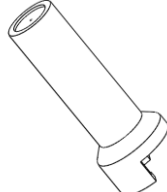


If the handset not pairing try breaking the power link from the transformer – then get the handset to pairing stage and then reconnect the transformer

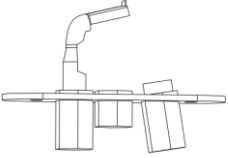
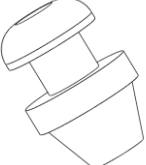
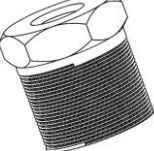
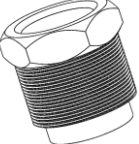
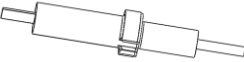
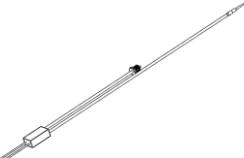
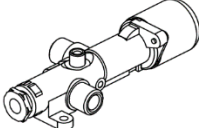
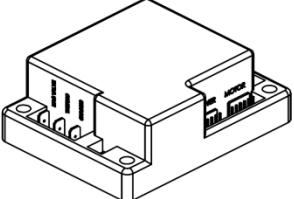
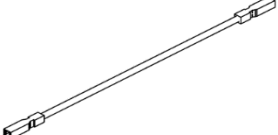

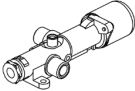
To delete Pairing

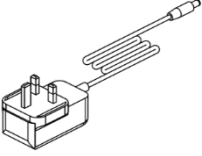
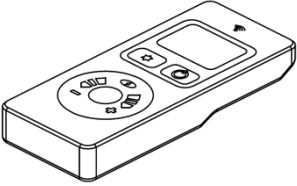



Press and hold  (approx. 5 seconds) until the menu graphic Completes (see Fig 3). This will access the menu (see Fig 4). Use the selector wheel and select the “gas fire” option. Press  &  simultaneously to delete the current channel. The handset will re-load to “NO DEVICE” (see Fig 4) screen.



Short Spares List

Image	Component	Part No
	Burner Bar	8764
	Silencer	8759
	Injector Mrk 400 NG	2108
	Pilot Injector NG	2073
	Pilot gasket	2110

	Pilot assembly	8674
	Olive hook	2074
	4mm Nut	2075
	Electrode retaining nut	2076
	Electrode	2078
	Thermocouple	4739
	Control Valve	6590
	Electrical Control Unit (ECU)	7150
	Ignition Lead	6646
	Earth lead	6593
	Handset RF	7144

	9V transformer	7145
	Handset RF	7144
	Rear glass liner	8748
	Side glass liner	8750
	HD Fuel Bed	8687
	Glass Panel	8748

Your Fire Parts Extended Warranty 890 HD BF WARRANTY DETAILS

Please read it carefully and ensure your installer has filled in the gas commissioning checklist, keep it in a safe place so that it is available when your Gas Safe engineer carries out the annual service.

This in no way reduces your statutory rights.

The warranty commences from the date of your purchase you must retain your receipt or invoice as proof of purchase.

This extended warranty specifically excludes glass and soft refractory components and any batteries.

Terms and Conditions

- 1 The appliance must be installed by a Gas Safe registered person
- 2 The appliance must be used in accordance with the users instructions.
- 3 The appliance must be serviced annually by a Gas Safe registered person.
- 4 The service log must be correctly filled out and record of annual services must be up to date and supported by receipts in each case.
- 5 This warranty is not transferable and relates to the original installation only.
- 6 The Registration form must be correctly filled out and returned.
- 7 The appliance has not been subject to misuse or accident or been modified or repaired by any person than the authorized representative of Charlton and Jenrick Ltd.
- 8 The registration form must be returned within 1 months of purchase.

For further information please contact the Infinity help desk on 0845 5195991 or visit our web site

www.CharltonandJenrick.co.uk.

Important

For future reference we suggest you record the following details here, and keep the receipt as proof of purchase. This information may be asked for when you contact the helpdesk.

Model 890 HD BF

Serial No									
-----------	--	--	--	--	--	--	--	--	--

This information can be found on the label attached to the packaging and on the data badge, which is located on end of chain on the injector pipe.

Retailer Name:-----

Address :-----

:-----

:-----

Date of Purchase						
------------------	--	--	--	--	--	--

Four Year Service Log Details

The following information must be completed to support by receipts as part of the conditions of the extended five year parts warranty and the appliance must be registered by completing and return the registration document (last page of this booklet) to Infinity Fires.

Date of first service								
-----------------------	--	--	--	--	--	--	--	--

Engineers Name : _____

Gas Safe no								
-------------	--	--	--	--	--	--	--	--

Date of second service								
------------------------	--	--	--	--	--	--	--	--

Engineers Name : _____

Gas Safe no								
-------------	--	--	--	--	--	--	--	--

Date of third service								
-----------------------	--	--	--	--	--	--	--	--

Engineers Name : _____

Gas Safe no								
-------------	--	--	--	--	--	--	--	--

Date of fourth service								
------------------------	--	--	--	--	--	--	--	--

Engineers Name : _____

Gas Safe no								
-------------	--	--	--	--	--	--	--	--

BALANCED FLUE GAS FIRE COMMISSIONING CHECKLIST

This Commissioning Checklist is to be completed in full by the competent person who commissioned the gas fire as a means of demonstrating compliance with the appropriate Building Regulations and then handed to the customer to keep for future reference. Failure to install and commission according to the manufacturer's instructions and complete this Benchmark Commissioning Checklist will invalidate the warranty. This does not affect the customer's statutory rights.

PLEASE COMPLETE IN BLOCK CAPITALS.

Customer name:	Telephone number:
Address:	
Gas Fire make and model:	
Installation location: i.e living/dining room.	
Gas Fire serial number:	
Commissioned by (PRINT NAME):	Gas Safe register number:
Company name:	Telephone number:
Company address:	
	Commissioning date:
Building Regulations Notification Number (if applicable):	

Site Requirements	Yes	N/A
Is the flue terminal sited and fitted as per the manufacturer's instructions?		
Has a terminal guard been fitted?		
Hearth Requirements- where fitted		
Is the hearth constructed from non -combustible material?		
Is the hearth a minimum of 12mm thick with a minimum floor to top surface of 50mm?(BS5871) or as per manufacturer's instructions?		
Is the hearth for open fronted fires a minimum of 760mm wide and has 300mm projecting from the fire opening (BS6871) or to manufacturer's instructions?		
Mounting height (where applicable) has the fire been installed to the correct mounting height- as per manufacturer's instructions?		
Firebox and Fuel Bed		
Has the fuel bed, coals, logs, pebbles etc. been fitted to manufacturer's instructions?		
Gas Supply		
Has an isolation valve inlet elbow been fitted for servicing?		
Has the gas supply been thoroughly purged prior to connection to remove any debris?		
Has a gas tightness test been completed prior to breaking into the gas supply and following completion of installation? (IGEM/UP/1B)		
Has the correct gas type been chosen as per manufacturer's instructions?		
Record burner gas pressure reading. If only the supply pressure is available a gas rate must be undertaken (GSIUR REG26/9C)		
Record dynamic inlet gas pressure (working pressure) reading (all gas appliances running)		
Installation		
Has the gas fire/convector heater been installed and commissioned in accordance with manufacturer's instructions?		
Has the gas fire/convector heater been installed with the correct clearance to combustible materials, service and general clearances adhered to as per manufacturer's instructions?		
The operation of the fire/convector heater and controls have been demonstrated and understood by the customer, including replacement of batteries?		
The manufacturer's literature, including Benchmark Checklist and Service record has been explained and left with the customer?		
Has the appliance been registered with the Local Authority, as detailed on the Gas Safe web site and is a legal requirement and forms part of the warranty?		
Commissioning Engineer's Signature		
Customer's Signature (To confirm satisfactory demonstration and receipt of manufacturer's literature)		

Failure to install and commission according to the manufacturer's instructions and complete this Benchmark Commissioning Checklist will invalidate the warranty. This does not affect the customer's statutory rights.

* All installations in England and Wales must be notified to be Local Authority Building Control (LABC) either directly or through a Competent Persons Scheme. A Building Regulations Compliance Certificate will then be issued to the customer.

Register Your 12 Month Warranty with Us Today

To register your appliance at www.charltonandjenrick.co.uk/warranty.

Installer Details

Name _____
Company name _____
Gas safe number _____
Date of installation _____

Your Details

Name _____
Address _____

Post Code _____ Telephone No _____

Product Details

Model : 890 HD BF Serial No _____
Date of Purchase _____

This information can be found on the label attached to the packaging and on the data badge (on chain wrapped around injector pipe).

Where did you purchase this product:

Name _____
Address _____

Post Code _____ Telephone No _____

Infinity 890 HD BF Packing List

890 HD BF NG	A-0870 – Glass liners fitted	Pre- Fix UG
Data badge and plate added		
Burner tray / firebox assembly		
Air test completed		
Glass warning label (1409)		
Silicone sealing strip (4818)		
Liners fitted (sides/rear/top)		
AAA Batteries x 4		
Remote control handset		
Handset holder (7191)		
Glass retaining brackets fitted		
7mm nut spinner (5435)		
Magnets x 4 (3048)		
Glass tape added to all liner tabs		
Side liner retaining brackets fitted		
Power lead fitted		
Emberglow (NATURAL GAS ONLY)		
C cell battery holder and warning label		
9v Transformer		
Bag of fixings		
Appliance labels		
Front and side box labels		
Serial No		
Inspector		

Charlton and Jenrick Ltd

Unit D

Stafford Park 2

Telford

Shropshire.

TF3 3AR

