

Owner's Manual

INCLUDES

User, Maintenance, Service, and Installation
Instructions


INFINITY

480 BF



Keep this booklet for service log and future reference

IMPORTANT



This appliance is guaranteed for 12 months subject to conditions. The 5 year extended parts warranty will only be valid if the annual service recommended in this manual has been completed and appliance has been registered online.

Contents

EXTENDED FIVE YEAR PARTS WARRANTY.....	2
Benchmark Scheme	3
SECTION ONE Important Information(Users Instructions).....	5
Important Information Cont. (Users Instructions).....	6
SECTION TWO: Introduction(Users Instructions)	7
SECTION THREE: Operation(Users Instructions)	7
SECTION FOUR: Cleaning & Laying the fuel bed (Users Instructions).....	11
CLEANING AND REPLACING fuel bed shapes (Users Instructions).....	13
SECTION FIVE Appliance Data (Installation Instructions).....	17
SECTION SIX Regulations and Warnings (Installation Instructions).....	18
SECTION SEVEN: Siting the Appliance (Installation Instructions).....	19
SECTION EIGHT: Preparing the Appliance for Installation (Installation Instructions)	20
SECTION NINE: Install The Appliance (Installation Instructions).....	21
SECTION TEN Fireplace Installation	25
SECTION ELEVEN: CONNECTING THE GAS SUPPLY (Installation Instructions).....	33
SECTION TWELVE: Assemble the appliance (Installation Instructions).....	34
SECTION THIRTEEN: Instruct and Advise the Customer (Installation Instructions).....	35
SECTION FOURTEEN: Maintenance Instructions (Maintenance Instructions).....	36
SECTION FIFTEEN: Wiring Diagram (maintenance instructions).....	38
SECTION SIXTEEN Short Spares List	39
BALANCED FLUE GAS FIRE COMMISSIONING CHECKLIST	42
SERVICE RECORD	43



EXTENDED FIVE YEAR PARTS WARRANTY

In order to validate your extended 5 years parts warranty please read the Benchmark Scheme on the opposite page and ensure your installer has filled in the appropriate checklist.

This in no way reduces your statutory rights

Your warranty commences from the date of purchase and you must retain your receipt or invoice as proof of a purchase date.

THIS EXTENDED WARRANTY SPECIFICALLY EXCLUDES GLASS AND SOFT REFRACTORY COMPONENTS AND ANY BATTERIES.

Terms and Conditions

1. The appliance must be installed by a GAS SAFE registered person.
2. The appliance must be used in accordance with the user's instructions.
3. The appliance must be serviced annually by a GAS SAFE registered person.
4. The benchmark and service log must be correctly filled out and the record of annual services must be up to date and supported by receipts in each case.
5. This warranty is not transferable and relates to the original installation only.
6. The appliance has not been subjected to misuse or accident or been modified or repaired by any person other than the authorised employee or authorised representative of Charlton and Jenrick Ltd.
7. The registration form must be returned within 1 month of purchase.

Technical Help Desk 01952 200 444

Benchmark Scheme



Charlton and Jenrick Ltd is a licensed member of the Benchmark Scheme which aims to improve the standards of installation and commissioning of domestic heating and hot water systems in the UK and to encourage regular servicing to optimise safety, efficiency and performance. Benchmark is managed and promoted by the Heating and Hotwater Industry Council. For more information and the full code of practice please visit www.centralheating.co.uk

Please ensure that the installer has fully completed the Benchmark Checklist on the inside back pages of the installation instructions supplied with the product and that you have signed it to say that you have received a full and clear explanation of its operation. The installer is legally required to complete a commissioning checklist as a means of complying with the appropriate Building Regulations (England and Wales).

All installations must be notified to Local Area Building Control either directly or through a Competent Persons Scheme. A Building Regulations Compliance Certificate will then be issued to the customer who should, on receipt, write the Notification Number on the Benchmark Checklist.

This product should be serviced regularly to optimise its safety, efficiency and performance. The service engineer should complete the relevant Service Record on the Benchmark Checklist after each service.

The Benchmark Checklist will be required in the event of any warranty.

It is a requirement that the gas fire is installed and commissioned to the manufacturer's instructions and the data fields on the commissioning checklist completed in full.

To instigate the guarantee, the gas fire needs to be registered with the manufacturer within one month of the installation.

To maintain the guarantee, it is essential that the gas fire is serviced annually by a Gas Safe registered engineer. The service details should be recorded on the Benchmark Service Interval Record and left with the householder.

Important

For future reference we suggest you record the following details here, and keep the receipt as proof of purchase. This information may be asked for when you contact the helpdesk.

MODEL:	INFINITY 480 BF	Serial No.	
---------------	------------------------	-------------------	--

This information can be found on the label attached to the packaging and on the data badge, which is located on the base of the appliance behind the control cover.

Retailer Name:	
Address:	
Date Of Purchase:	

Register your appliance online today to active your warranty



SECTION ONE Important Information(Users Instructions)

Consumer Protection Information

As manufacturers and suppliers of heating products, we take every care, as far as is reasonably practicable, that these products are so designed and constructed as to meet the general safety requirement when properly used and installed. To this end, our products are thoroughly tested and examined before despatch.

IMPORTANT NOTICE: Any alteration that is not approved by the appliance manufacturer could invalidate the approval of the appliance, operation of the warranty and could affect your statutory rights.

Health and safety

Notice Important

This appliance could contain some of the materials, indicated below, that could be interpreted as being injurious to health and safety. It is the users/installers responsibility to ensure that the necessary personal protective clothing is worn when handling these materials, see below for information.

Artificial Fuels, Mineral Wool, Insulation Material, Refractory/Ceramic Fibres, Glass Yarn - *may be harmful if inhaled, may be irritating to skin, eyes, nose and throat.*

When handling *avoid inhaling and contact with skin or eyes. Use disposable gloves, facemasks and eye protection. After handling wash hands and other exposed parts. If a vacuum is used for cleaning the coals or cleaning after servicing / installation it is recommended that it be of the type fitted with a HEPA filter.*

Disposal of refractory/ceramic materials. *To keep dust to a minimum these materials should be securely wrapped in polythene and be clearly labelled 'RCF waste'. These materials are not classified as 'hazardous waste' and should be disposed of at a site licensed for the disposal of industrial waste.*

INTRODUCTION

- The INFINITY 480 BF is an inset or outset room sealed decorative fuel-effect gas appliance.
- The INFINITY 480 BF is available in **Natural Gas and L.P.G**
- The INFINITY 480 BF **must not** be installed into a natural draught flue or chimney.
- The INFINITY 480 BF should only be installed and serviced by a competent person i.e. GAS SAFE registered, in accordance with the GAS SAFETY (INSTALLATION AND USE) REGULATIONS.
- The INFINITY 480 BF does not require a chimney, but **must be** installed against an outside wall.
- It is important that the flue terminal is regularly checked and kept clear at all times.
- If the terminal is accessible to people (i.e. less than 2m above a walkway, balcony etc.) the terminal guard must be fitted to prevent access to the flue outlet, which becomes hot when the fire is in use.
- As the INFINITY 480 BF is a room sealed appliance (i.e. air for the combustion process is taken from outside the room) no purpose built ventilation is required.
- The INFINITY 480 BF is designed and tested to meet the requirements of the European Standard EN 613.

Important Information Cont. (Users Instructions)

The INFINITY 480 BF is battery operated; therefore no mains electrical supply is required. Power to the appliance is provided by 6 high power alkaline 1.5V batteries (“C” size) (a spare set of 6 “C” batteries is supplied with the appliance)

An audible repeated bleep warning indicates that the appliance batteries need changing or charging (if rechargeable batteries have been used).

Important: Batteries should be changed as soon as possible as the appliance will not light if the battery power gets too low.

- The appliance is for use on Natural Gas (G20 @ 20mbar) & L.P.G (G31 @ 37mbar)
- Failure to install appliance correctly could lead to prosecution.
- **In GB (Great Britain)**, the appliance must be installed by a competent person i.e. GAS SAFE registered, in accordance with the GAS SAFETY (INSTALLATION AND USE) REGULATIONS, The Building Regulations (or The Building Regulations (Scotland) or The Building Regulations (Northern Ireland)) and The Current I.E.E. Wiring Regulations, if appropriate.
- **In IE (Ireland)**, the appliance must be installed by a competent person and installed in accordance with the current edition of I.S.813 Domestic Gas Installation, the current Building Regulations and the current ETCI rules for electrical installation, if appropriate.
- Although the INFINITY 480 BF is fitted with a glass front which acts as a dress guard it is strongly recommended that a fireguard should be used for the protection of children, the elderly or infirm. Fireguards should conform to B. S. 6539 (1984) (Fireguards for use with solid fuel appliance).
- Care should be taken to prevent any damage being caused to surrounding soft furnishings or decoration. Many wall coverings may become discoloured if placed too close to the appliance, it is strongly recommended that any proposed wall covering intended for use immediately above the appliance should be tested in the hottest position (immediately above) first. Run the fire on high over a few days
- All combustible material must be removed from behind the fire and fire trim.
- The first time you light your new appliance a smell may occur due to its new condition. This is quite normal and will soon disappear after a few hours use at maximum setting (open a window until the smell disappears)
- With use the inside of the air box will change colour, particularly the sides and rear. This is quite normal and often adds to the overall effects of the appliance.
- The appliance **MUST NOT** be used if the glass panel is not correctly fitted or if this panel is cracked or broken.
- Any debris should be cleaned from the appliance. A vacuum cleaner can be used but only after all the loose shapes have been removed.
- ***Prior to removing or cleaning the coals refer to the ‘Health and Safety Notice’ located on page 3 of this booklet.***
- The appliance should be serviced annually by a competent person i.e. a **GAS SAFE registered engineer** in accordance with these instructions.



The glass or any part of the appliance **MUST NOT** be cleaned or wiped whilst the appliance is **HOT**, to do so could be dangerous and may damage the paintwork of the appliance

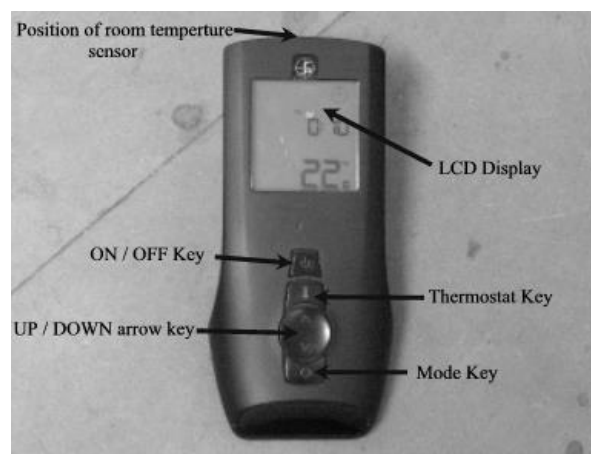
SECTION TWO: Introduction(Users Instructions)








- The INFINITY 480 BF is an inset room sealed decorative fuel-effect gas appliance designed for use in locations that do not have a conventional chimney. The appliance must be installed against an outside wall because the air to support combustion is taken from the outside and the products of combustion are expelled to the outside.
- The appliance incorporates a safety device in the form of a FLAME SUPERVISION DEVICE, which constantly monitors the flame and will cause the gas to be switched off if the flames are extinguished for any reason. **THIS DEVICE MUST NOT BE OVERRIDDEN.** If this situation occurs on a regular basis have the appliance checked by a qualified engineer. The problem may be due to a blocked or restricted flue.
- Before removing the, trim, glass shapes for cleaning the fire should be turned off, and left to cool down.
- **NOTE:** In use some discoloration of the components will take place in the combustion box, this is normal, but can be kept to a minimum if the shapes are placed correctly (i.e. after cleaning). See Section 4.
- As with all heating appliances certain areas (Working Surfaces) become very hot when the appliance is in use.

SECTION THREE: Operation(Users Instructions)

To light the appliance using the remote hand set:

- Point the remote control hand set in the direction of the appliance and press the  button. Continue to hold the button for approximately 2 seconds and release handset screen will turn orange. When released a bleep should be heard and the appliance will automatically go through the ignition sequence and the pilot should ignite. Once the pilot is alight the appliance will automatically go to the high setting (approximately 20-25sec).
- If the ignitor stops sparking and the pilot fails to light press the  button for at least 2 seconds and release, again a bleep should be heard. Then repeat the lighting procedure.(need to wait 3 mins)



- With the appliance lit, by pressing  key the operational mode is switched from manual to room thermostat setting and vice versa. When room thermostat mode is active, the display shows the set temperature value and the "AUTO" icon will appear on the LCD display. By using the  arrow key the desired room temperature can be set. When manual mode is active, the display shows the "MAN" icon plus the flame icon and a five level bar icon setting. By pressing the  arrow key, the flame picture can be adjusted at five stages between high and low flame. If level 5 is currently active, the icon max  below the flame icon will appear.
- To switch off the appliance press the  button for at least 2 seconds and on releasing the button the appliance will bleep and then shut off. For pilot setting press the  for 1 second and release. The pilot symbol will appear on the LCD display. Pressing the  button will bring the fire back onto main flame.

- e. The appliance can be switched off without using the hand set by removing the appliance batteries located below the air grill cover. When the batteries are removed there will be a delay (up to 3 minutes) after which, double bleeps may be heard and shortly after the appliance will extinguish. Ensure that the battery is reconnected once the fire has been extinguished. The appliance cannot be operated without the use of the handset.

Room Thermostat mode

The remote handset checks the room temperature at fixed time intervals. Depending on the difference between set room temperature and the actual room temperature the remote proceeds to modulate in one level steps. Once the room temperature is reached it moves to standby position pilot only.



The icon "PILOT" will appear on the LCD display. As soon as the actual room temperature falls below the SET room temperature, the system will move from standby to the high flame level. From this point it will proceed again the modulation process.

Note: Due to the temperature checks at timed intervals, the display temperature on the handset may exceed the room setting temperature before the appliance defaults to the pilot setting.

TO REPLACE BATTERY IN HAND SET (3 AAA TYPE BATTERIES)



Remove the cover from the rear of the handset and fit replacement batteries.

Clock Regulation


As soon as the batteries are fitted the timer digits will blink. Using the  arrow key increase or decrease the hour, minutes and week's value. By pressing the  will set and shift setting until complete.



Changing Clock Setting During Operation

To amend timer setting press both the  and  keys simultaneously for three seconds, the written clock will appear. To change the clock settings, repeat the above described operation.




Change From Celsius to Fahrenheit

With remote OFF, keeping pressed  key at least for 5 seconds, the temperature unit changes from Celsius to Fahrenheit degrees and vice versa.


Battery level indication (Handset) 

When the batteries have to be changed in the handset, the related icon will appear.

Setting the sleep mode**To activate the sleep mode:**

With the fire switched on press the **O** button. The sleep symbol will appear top right . The sleep symbol replaces the time indicator in this mode. Using the  arrow key increase the sleep mode in 15 minute intervals (a small star will be visible next to the sleep symbol once any time is set) . Once the set time is reached, the fire will completely switch off without any further intervention.

To Deactivate the sleep mode:

When the fire is next operated, the sleep mode will automatically appear unless it is re-set to zero. This can be done by pressing the **O** key and using the  button to decrease the time set by 15 minute intervals until back to zero.

If you experience unexplained outing on the fire please check that the sleep mode is switched off.

Child Lock (Handset)

To activate `Child Lock` : Press and hold the Mode Key **O** button for 5 seconds, this will lock and disable the handset and a “padlock” symbol will appear on the bottom of the screen. This can be done while the fire is “off” or “on”. To deactivate this function press and hold the Mode Key **O** for 5 seconds and the “padlock” symbol will disappear.

LOW BATTERY INDICATION (APPLIANCE)

If you hear a repeated ‘bleep’ sound come from the appliance this indicates the appliance battery pack is low and should be changed. If this is ignored the system will go into a lock out mode, which will not allow the appliance to be used until a new set of batteries are loaded.

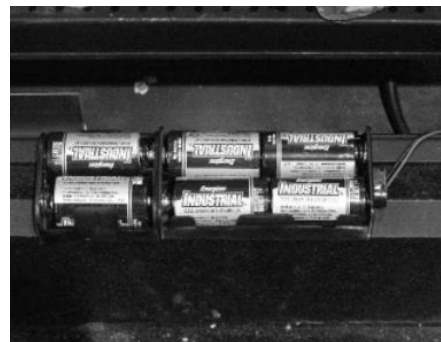
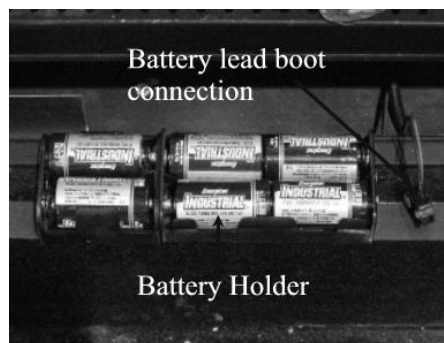
NOTE: The appliance cannot be used when the battery is completely discharged.

TO REPLACE APPLIANCE BATTERIES (6 High Power Alkaline C 1.5V)

- A. Remove the decorative in fills LH and RH.
- B. Lift and remove the inlet cover located within the fireplace frame.(This is located at the bottom of the fire between the glass panel and fireplace frame.
- C. Remove the batteries from within the battery holder and replace the six high power alkaline C batteries as a complete set.

WARNING, batteries will overheat if fitted incorrectly, when fitting the batteries ensure that they are fitted as per the marking on the rear of the holder (i.e. minus of battery against spring).

- D. Once the new batteries are loaded the fire will continue to bleep until re-set. Press the ON / OFF key for at least 2 seconds, on release a bleep sound will be heard and the ignition process will start. If the fire continues to bleep this may indicate a loose connection or badly loaded batteries.



SECTION FOUR: Cleaning & Laying the fuel bed (Users Instructions)

Warning:-Before you clean any part of the appliance ensure that the appliance is switched off and cool.

CLEANING: BLACK PAINTED SURFACES

- These surfaces should be dusted regularly and any marks removed with a soft cloth. Abrasive or chemical cleaner should never be used.

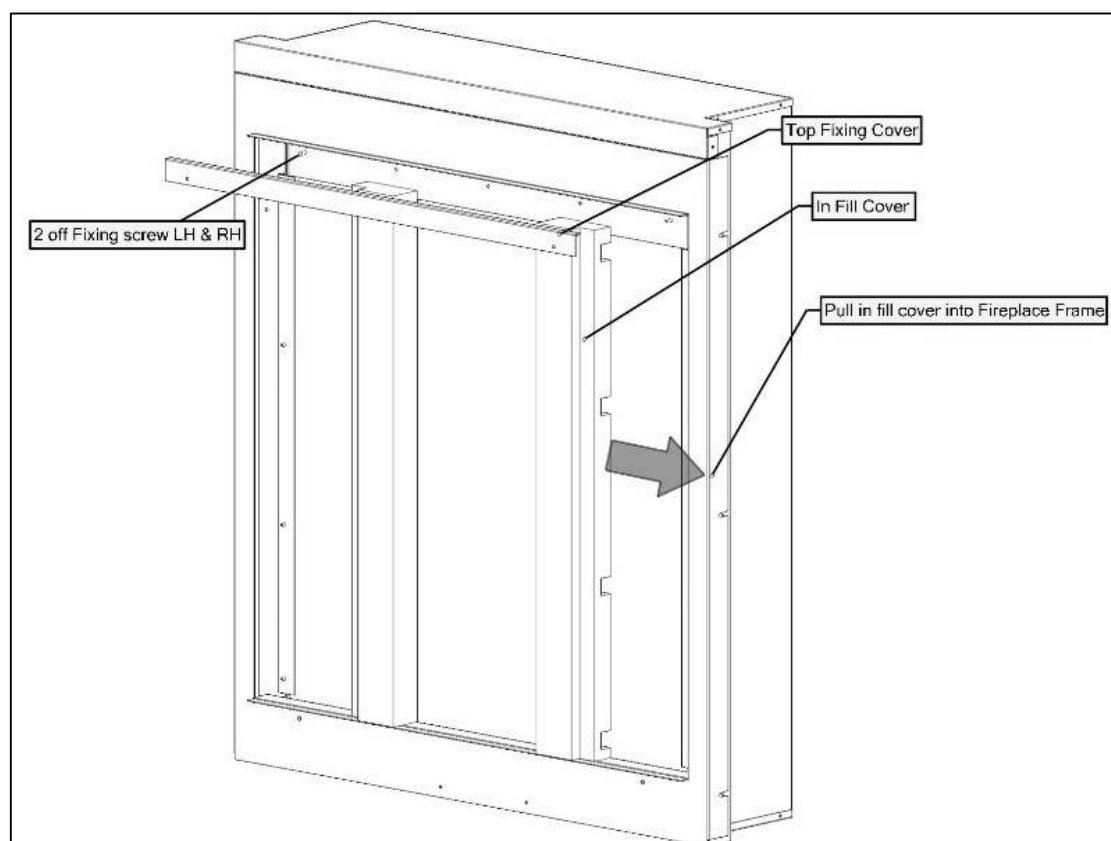
CLEANING: GLASS PANEL

From time to time it may be necessary to clean the glass panel.

We recommend you use a Ceramic Hob Cleaner (brands such as **HOB BRITE** and **VITRO CLEN** **have been found to be acceptable**) these are available from most leading Supermarkets.

Remove the glass panel as follows:

- Carefully lift out the infill covers LH and RH.
- Remove the top fixing cover.
- Remove the three of fixing bracket located on the top and sides of the glass panel.

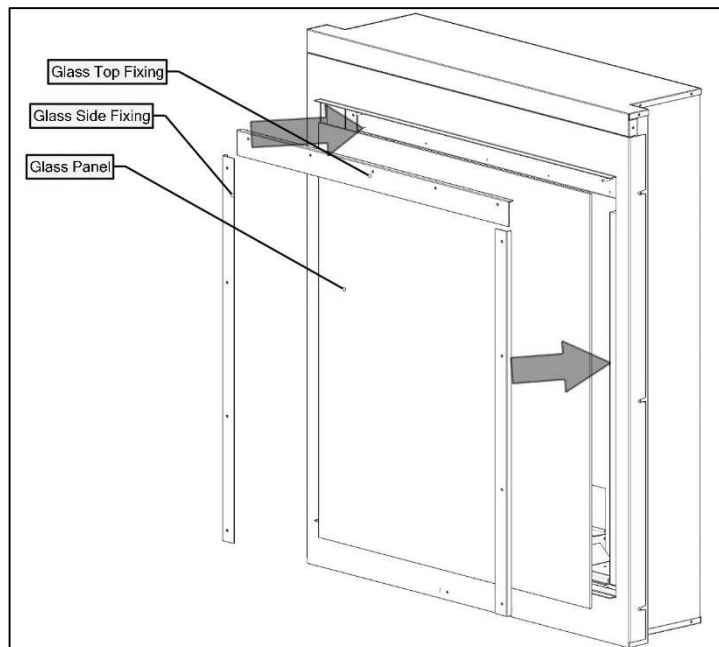


- Carefully lift the glass panel up out off the bottom location. Lay the glass panel down on a flat working surface on top of an old opened newspaper with the side to be cleaned uppermost.

Follow the Instructions on the Hob Cleaner Bottle.

On stubborn stains (where the appliance has been used for a long period without glass panel being cleaned), use a new **Brillo Pad** well wetted with the Hob cleaner applied directly to it.

Ensure all the residues of the cleaner are removed with a damp cloth and the glass panel is completely dry before fitting to the appliance.



Note: - If the loose shapes have not been placed correctly, causing the gas flame to contact the glass this may result in glass staining that cannot be removed by cleaning. This may also lead to the weakening

- Re-assemble in reverse order ensuring a tight seal against glass assembly.(do not over tighten the glass studs as this could crack the glass)
- Re-fit the fascia

CLEANING AND REPLACING fuel bed shapes (Users Instructions)

Important: - Refer to the 'Health & Safety Notice located on page 3 of this booklet before cleaning or replacing any refractory material.

Use only the shapes provided **NO OTHER SHAPES SHOULD BE ADDED** to the appliance

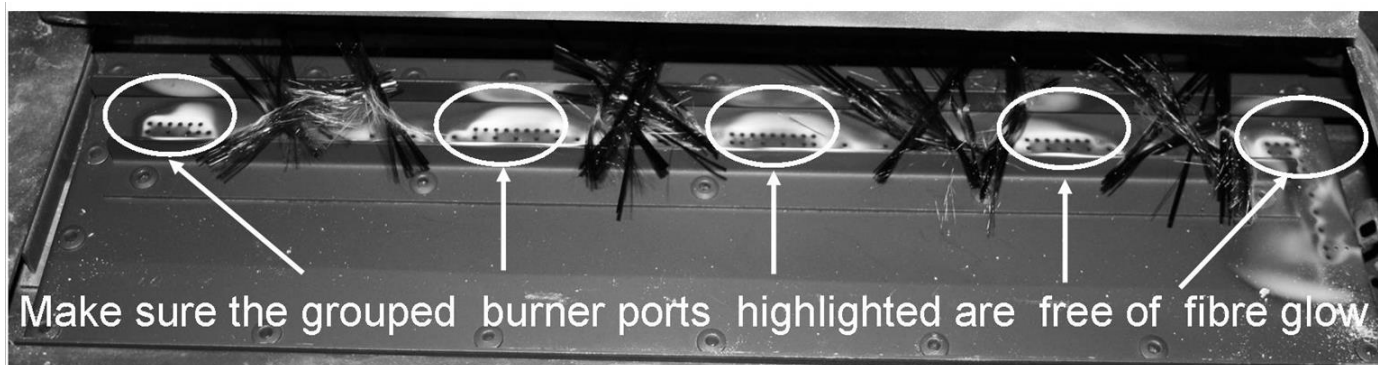
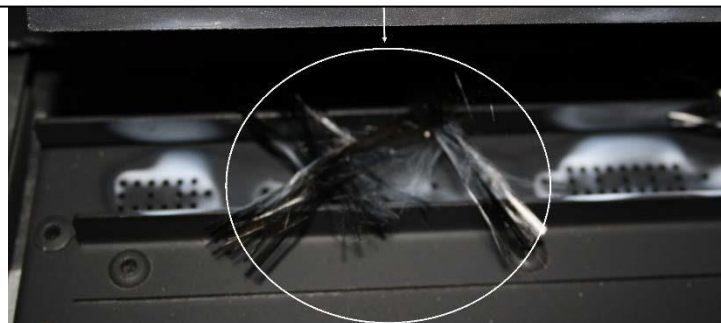
The Fuel bed set consists of:

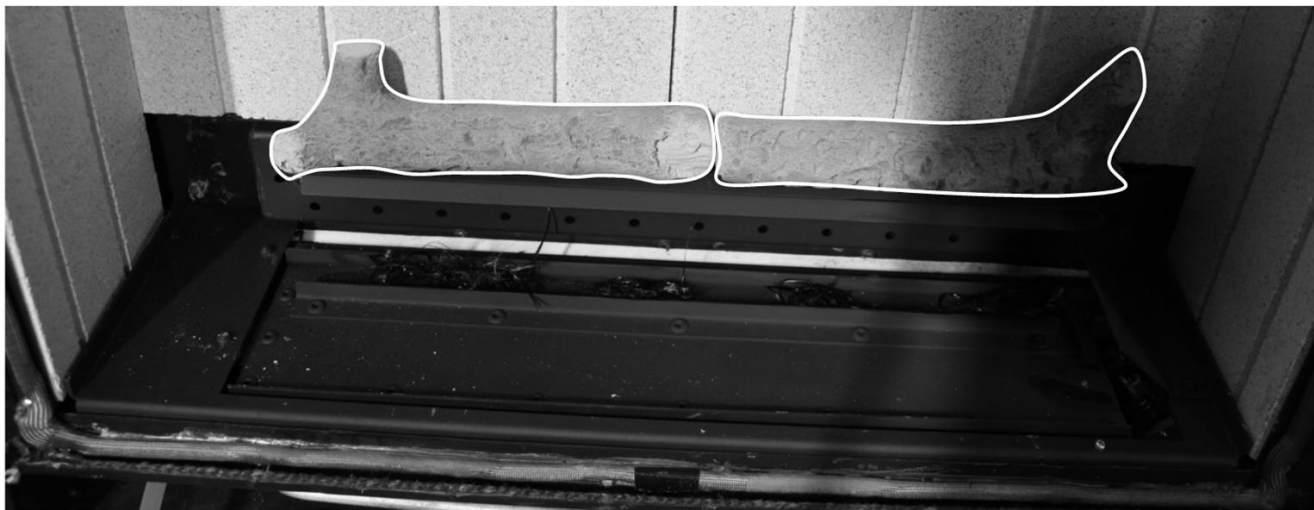
- 13 Log Shapes.
- 2 Bags fibre glow (**NATURAL GAS ONLY**)

Log Fuel Bed Layout.

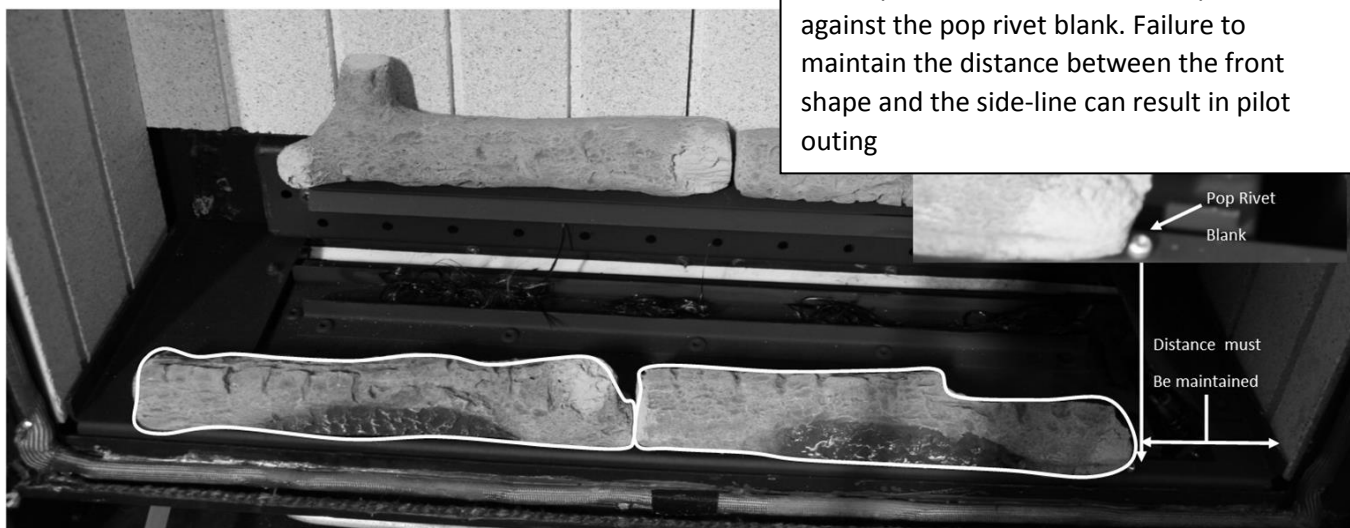
Within this packed appliance there are two packets of fibre glow. Only ONE packet should be used per install, the spare pack is provided for the first annual service. Failure to place the correct amount of fibre glow and in the correct burner area can result in producing a poor flame picture and sooty deposits.

Place 3 or 4 fibre glow across lighting ports. The flakes should be placed to bridge the front and rear shields





- Place two log shapes upon the shelf above the inlet baffle as shown



- Place a further two log shapes along the front edge of the burner cover.

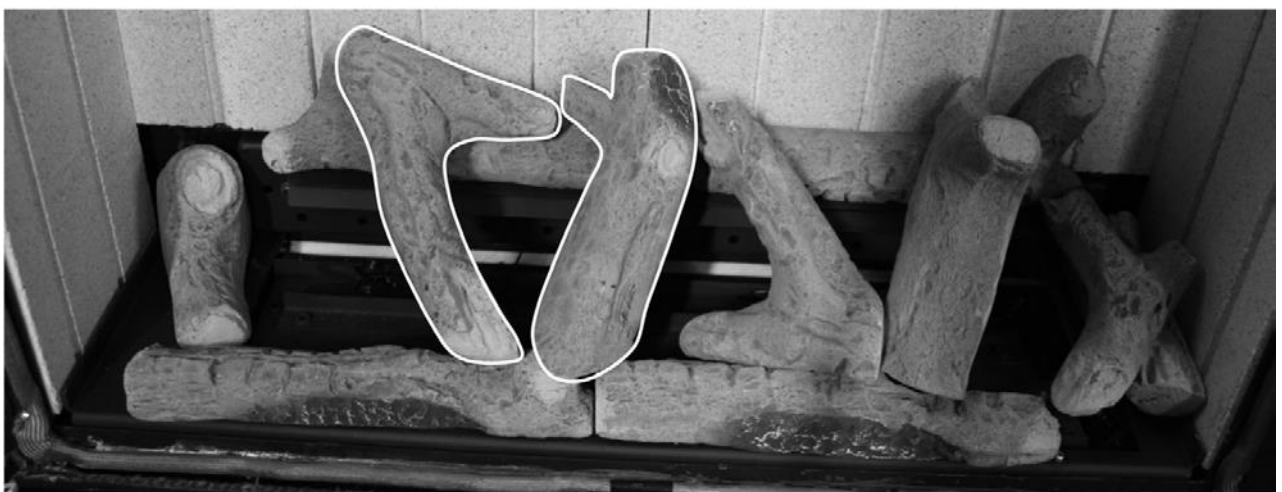
Please note: - the position of the RH shape is very important to prevent pilot outing.



- Position two log on the LH and RH side of the burner cover as shown.



- Place three log shapes as shown.



- Place a further two log shapes as shown.



- Finally place the two remaining log shapes as shown.

SECTION FIVE Appliance Data (Installation Instructions)

Fire Box dimensions:

Height: 680mm
Width: 552mm

Forward Projection:

42mm

Weight:

35kg

Flue Length N.G

100m (minimum) to 600mm (maximum) NG.

Flue Length L.P.G

100mm (minimum) to 350mm (maximum) L.P.G.

No bends or joined flue pipes should be used in the flue system

Pressure Test Point Location:

Gas in let elbow

Gas Connection:

8.0mm O/D, tube

Data Badge Location:

On bottom right hand side of fire box behind trim

MODEL	Natural Gas (G20) Version	L.P.G (G31) Version
Category of appliance	C _{II}	C _{II}
NO _x Class	3	5
Efficiency Class	1	1
Gas Category	I _{2H}	I _{3P}
Gas Type	G20 Natural Gas	G31 L.P.G
Gas Pressure +/- 1.0mbar	20 mbar	37 mbar
Gas Input (Max)	2.6 KW Gross	2.6 KW Gross
(Min)	1.5 kW Gross	1.6 KW Gross
Injectors size	190 Mark	260 Mark

NOTE: The efficiency of this appliance has been measured as specified in BS EN613-2001 and the result is 77.7% natural gas and ??.% L.P.G. The gross calorific value of the fuel has been used for this efficiency calculation. Gastec have certified the test data from which it has been calculated. The efficiency value may be used in the UK Government's Standard Assessment Procedure (SAP) for energy rating of dwellings.

SECTION SIX Regulations and Warnings (Installation Instructions)

- This appliance must only be installed in Great Britain or Ireland.
- The appliance is available in natural gas and L.P.G
- This appliance must be installed on a suitable outside wall.
- No special ventilation bricks or vents are required into the room containing the appliance.
- **In GB (Great Britain)**

It is the law that all gas appliances must be installed by a competent person; i.e. a GAS SAFE registered installer, in accordance with the current Gas Safety (Installation and Use) Regulations (as amended), all relevant parts of the local and national building regulations and all relevant recommendations of the current British Standards. Failure to do so could lead to prosecution.

The following are the relevant codes of practice and British Standards: -

B.S. 5871 PART 2

B.S. 5440 PART 1

B.S. 6891

B.S. 1945

Note:- This appliance must be installed to current versions of the above standards and include any relevant amendments.

The Building Regulations issued by The Department of the Environment.

The Building Standards (Scotland) (Consolidated) Regulations issued by The Scottish Development Office.

- IN IE, (Ireland)

The appliance must be installed by a competent person and installed in accordance with the current edition of I.S.813 Domestic Gas Installation, the current building regulations, and the current ETCI rules for electrical installation, if appropriate.

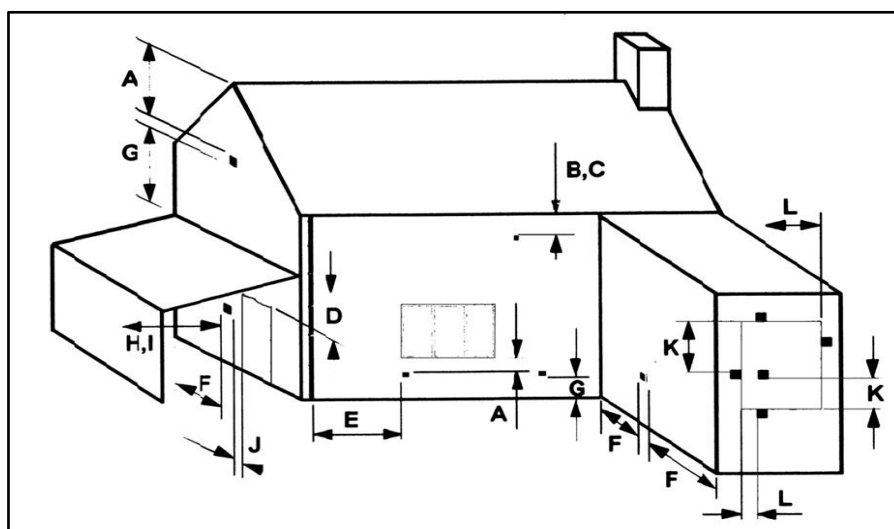
WARNINGS

- As this appliance has components, which get very hot as with all such fires, it is recommended that a fireguard should be used for the protection of children, the elderly, or the infirm. Fireguards should conform to B.S.6539 (1984) (Fireguards for use with solid fuel appliances).
- During initial use, an odour may be evident. This will soon disappear if the fire is run on its maximum setting for a few hours.
- Care must be taken to prevent any damage being caused to surrounding soft furnishing or decoration, e.g. wall coverings may become discoloured if placed too close to the appliance.

SECTION SEVEN: Siting the Appliance (Installation Instructions)

GENERAL REQUIREMENTS

- The flue and air duct length must be between 100mm to 600mm for Natural Gas and 100mm to 350 mm for L.P.G.
- The fire is supplied with a standard pipe length of 600mm Flue length.
- The flue and air duct must not have any bends.
- The flue outlet must terminate on a suitable outside wall.
- The minimum flue terminal clearances, which must be maintained, are as shown below.



A	Directly below an openable window or other opening. E.g. air brick	300mm
B	Below gutters, soil pipes or drain pipes	300mm
C	Below eaves	300mm
D	Below balconies or carport roofs	600mm
E	From vertical drain pipes and soil pipes	75mm
F	From internal and external corners	300mm
G	Above ground, roof or balcony level	370mm
H	From a surface facing the terminal	600mm
I	From a terminal facing the terminal	1200mm
J	From an opening in a car port into a dwelling e.g. door, window, etc	1200mm
K	Vertically from a terminal on the same wall	1500mm
L	Horizontally from a terminal on the same wall	300mm

Siting the Appliance Continued (Installation Instructions)

Please note with early cavity wall design prior to 1970. The minimum depth requirement may well be difficult to obtain. This could result in the need for the fire box to be spaced further from the internal surface of the plaster and to achieve this larger rebated surround maybe necessary. (Appropriate measures should be taken when installing in to a working flue system I.E out through an existing chimney)

Ensure that gas supply is suitably sited

- Check with the supplier or manufacturer that the surround meets 150°C minimum rating (attention should especially be given to man made materials such as resin).
- When installing in a timber framed dwelling reference must be made to the specific installation requirements stated in

Clearance to Shelf

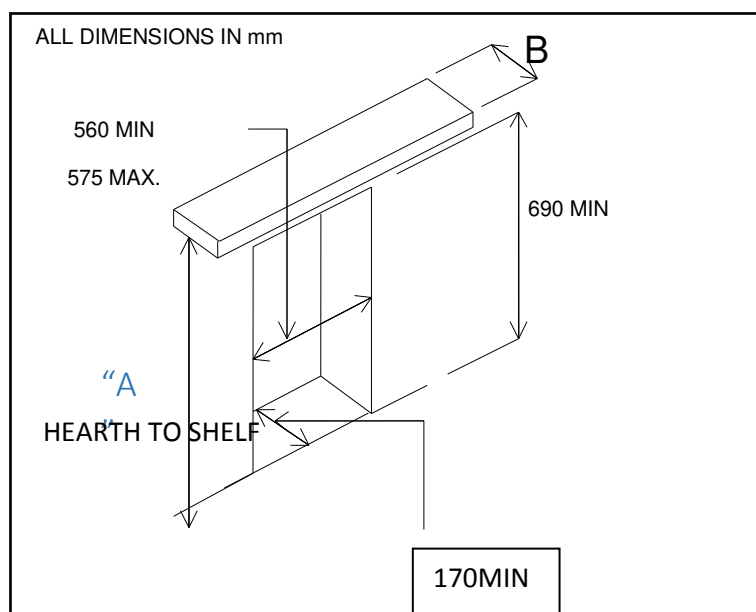
Minimum clearance from hearth or base of opening to underside of combustible shelf should be 830mm provided the shelf depth is 75mm (3"). This gives a minimum clearance above the appliance of 140mm. For a shelf of 150mm (6") the minimum height above the hearth or base of opening must be 910mm. This will give a minimum clearance above the appliance of 220mm.

Clearance to Sides of Fire

Minimum width between vertical sides of combustible surround should not be less than 875 mm provided fire is central to the surround and sides do not project more than 150 mm. When vertical side forward projection is increased by 12.5 mm add 50 mm to inside width of surround.

SECTION EIGHT: Preparing the Appliance for Installation (Installation Instructions)

- Carefully unpack the appliance from the carton and check the contents.
- Lift away the box of ceramics, glass panel and fire frame components.
- Remove the refractory components from the inside of the packaging.
- The appliance is now ready for installation.
- Fit wall mounting brackets if appliance is being built around.

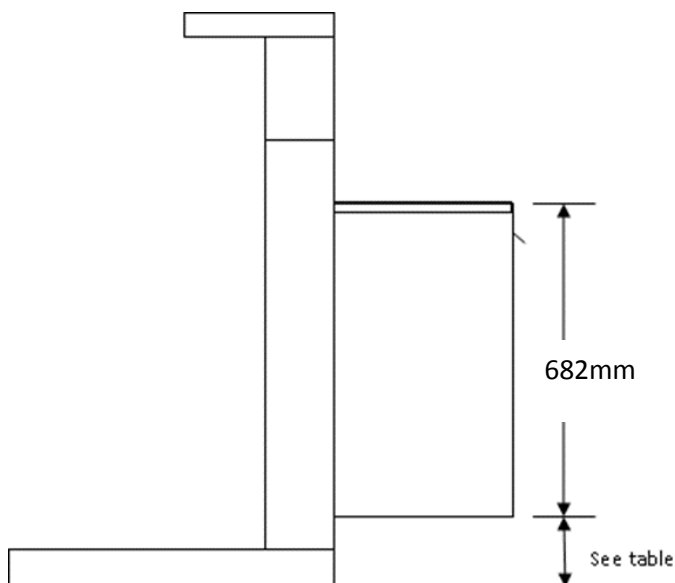


SECTION NINE: Install The Appliance (Installation Instructions)

INSTALLING THE APPLIANCE INTO CAVITY WALL WITH A FIREPLACE

Ensure it is a suitable outside wall constructed of non-combustible materials and that the flue position meets the requirements previously described in **Section 7**.

- Mark a vertical line on the wall at the intended centre of the appliance and fireplace.
- Using the table below mark the measurements horizontally across the vertical centre line.
- Mark out the width of the opening for the appliance between 560-575mm central to the centre line.
- Mark the position for the lintel above the top horizontal line.
- Using a long masonry drill, make one pilot hole completely through the wall at position **B**. Ensure the hole is drilled accurately at the centres and square to the wall both horizontally and vertically at the cross points previously marked.
- Cut out the brickwork of the inner skin of the cavity wall for the lintel, and fix the lintel in place.
- Cut out the brickwork under the lintel, between the two outside vertical lines and base line into the cavity. The cut out will not extend to floor level creating a base for the appliance to sit on.
- Create a level base in the cut out using non-combustible material.
- Ensure the cut out width is square and try the appliance into the opening.



Surround	A	B	C
Beckford	132mm	703mm	822mm
Stokesay	131mm	702mm	821mm
Aylesbury	159mm	730mm	841mm

- Using a 150mm core drill from outside cut a hole following the pilot hole. Drilling from the outside through to the cavity will give a good finish on the outside wall.
- Remove any cavity insulation from the cut out opening and for a further 100mm into the cavity gap each side and above.
- Pack "**Rockwool**" around the sides, top and bottom of the opening into the cavity for a depth of 100mm. Also put some "**Rockwool**" behind the firebox if space is available.
- Offer the appliance into the opening and mark through the gas pipe entry hole (see connecting the gas supply section).
- Pass a tape measure through the core-drilled hole and record the distance from the spigots to the surface of the outside wall. Include the length of the spigots themselves in this measurement and increase both the

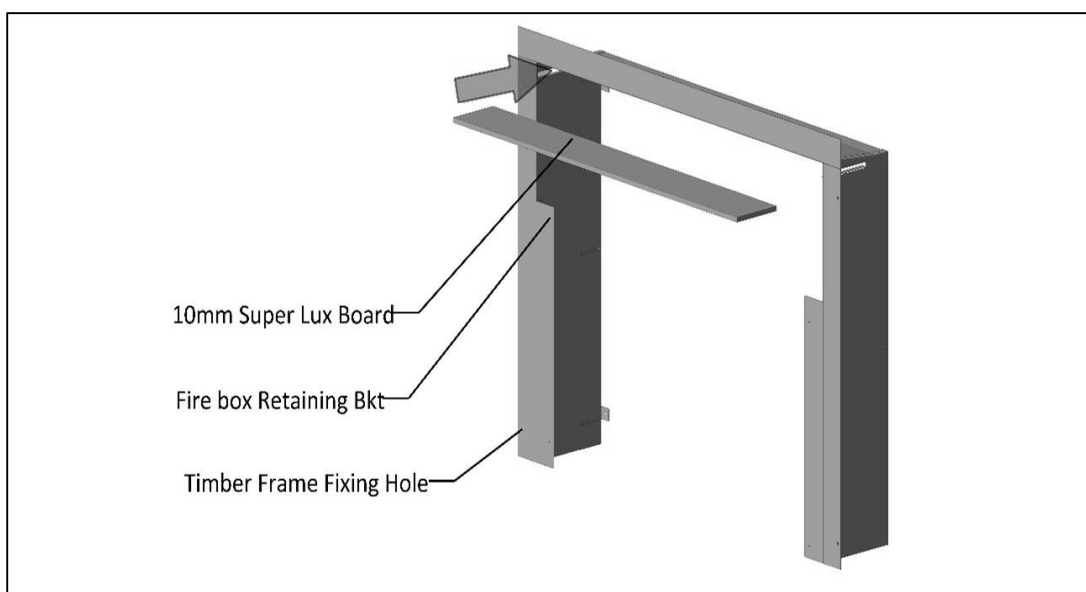
recorded distances by 15mm (5/8") each for the engagement allowance.

- Cut the length from the 600mm flue pipe provided.
- Remove the appliance from the opening, and position the gas supply (see connecting the gas supply later in this manual), taking account of the relative gas regulations regarding a gas pipe in a cavity (sleeving and sealing etc.). Note the gas feed must be fitted with an isolation valve.
- Position and seal the flue pipe to the respective spigots on the rear of the appliance (use flue seal or fire cement to ensure airtight seal, it must not obstruct the flue).
- Push the appliance back into the opening.
- Complete the gas connection (see connecting the gas supply later in this manual).
- Drill the four fixing holes through the hole in the flange of the appliance and fix back using plug and screws.
- If the flue outlet is fitted below 2m from the floor or a balcony then a flue terminal guard must be fitted. (not supplied).

TIMBER FRAMED DWELLING

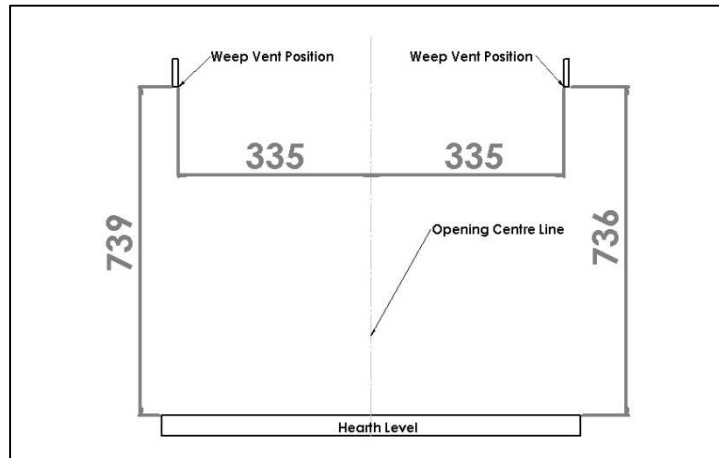
This method allows for installation in timber frame buildings. Where removal of any part of the inner timber leaf of the wall is involved the structural integrity of the wall must be maintained and the advice of your local Building Control Department should be sought. If the property is under N.H.B.C. cover, it is advised that their advice should also be sought. Reference should be made to the British Gas Publication DM2 "Guide For Gas Installations In Timber Frame Housing" or Gas Safe "Gas installations in Timber Frame Buildings" ISBN1-902632-30-3

Special attention must be paid to the location of the studwork frames of the inner leaf and the appliance positioned accordingly. Electrical cables and pipe work that run within the inner timber leaf must also be located and taken into account when positioning the appliance.



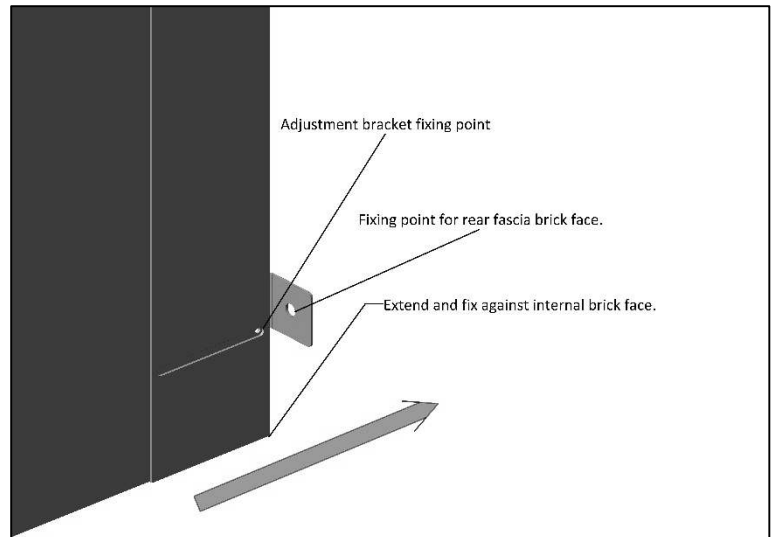
- Find a suitable position between the wall panel frames and carefully open the hole (minimum dimension 775mm wide x 795mm High). The timber frame assemble included a frame adjustment bracket cover the cavity depth. (Min 200mm to 265mm Max). Careful attention must be made to secure the damp proof membrane back into position. (Note : to achieve the minimum depth requirement it may be necessary to deepen the cavity by building up the wall surface with an appropriate none combustible material.

- The 2 weep vents within the kit should now be fitted using the guide lines below into the external brick.



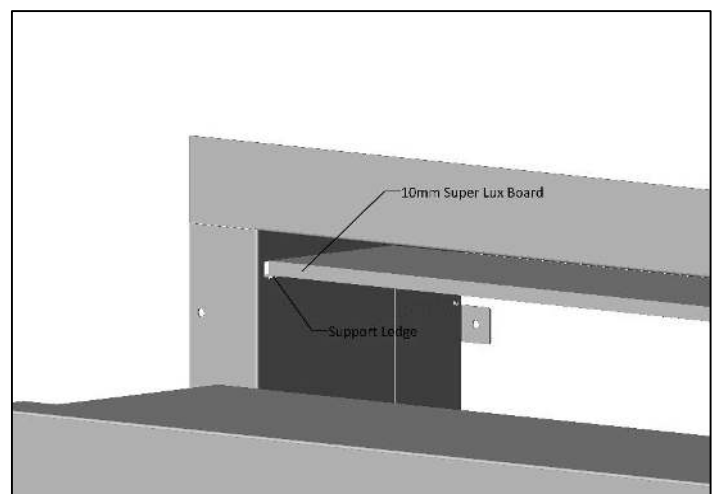
- With the opening prepared slide the timber frame within the opening. Secure the frame assembly back using suitable screws and wall plug.

- Loosen the 8 fixing screws retaining the adjustment bracket and slide against the rear fascia brick surface. Secure using suitable screws and wall plugs.

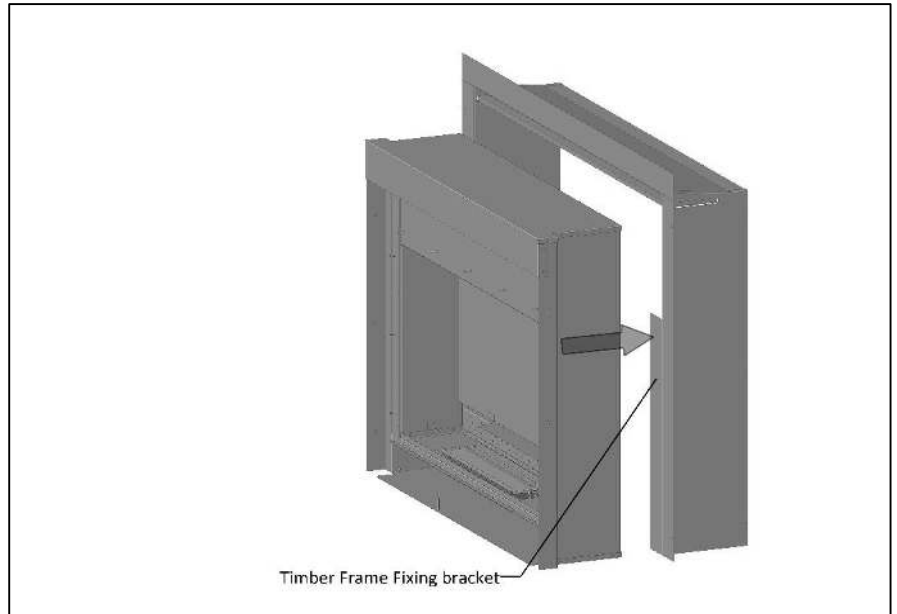


- With the frame secured seal the adjustment fixing bracket against the brick work face using high temperature silicone sealant which is rated up to 300 degrees C.

- Fit a piece of 10mm thick super lux board within the support ledge LH and RH. The width of the board will require to be cut to a length of 975mm. To obtain the depth measurement will depend on the cavity depth.

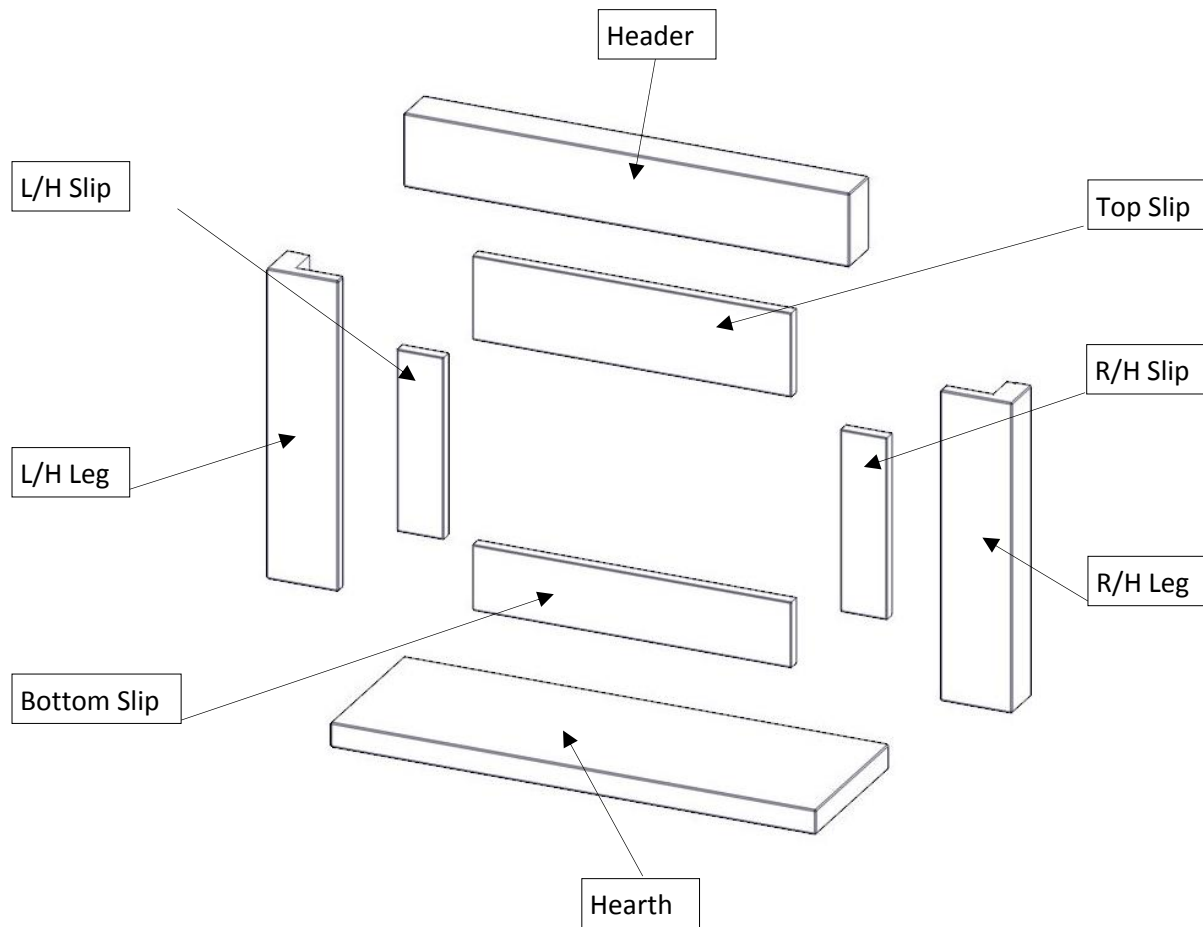


- At this point routing of the gas supply must be carried out in line with the recommendations specified in the British Gas Publication DM2 “Guide for gas installation in Timber Frame Housing”.
 - Finally offer the firebox assembly within the timber frame kit and retain using the fixing screws provided.



SECTION TEN Fireplace Installation

FIREPLACE IDENTIFICATION



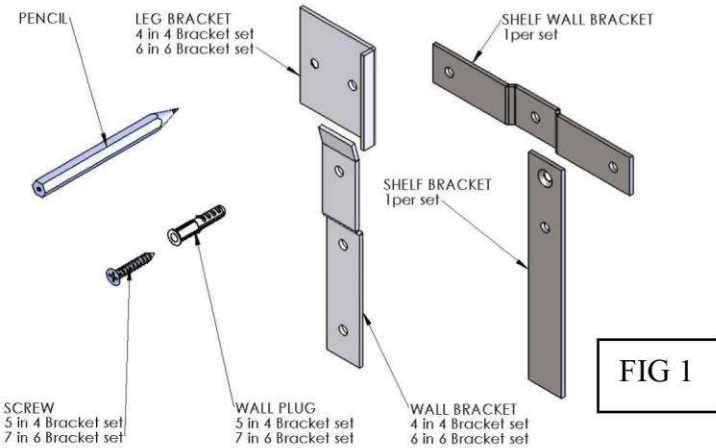
THESE INSTRUCTIONS DO NOT REPLACE THE "INSTALLATION OF FIREPLACES"

INSTRUCTIONS SUPPLIED WITH THE FIREPLACE BUT SHOULD BE USED IN CONJUNCTION WITH THEM

Additionally you should ensure you have suitable tools, adhesive and other materials to carry out the work correctly and safely.

It is important that you establish the makeup of the wall to which it is intended to fix the fireplace, and that you ensure you have suitable wall fixings that can fix the brackets provided in a manner that will withstand the mass (weight) of the fireplace that will result in a secure installation.

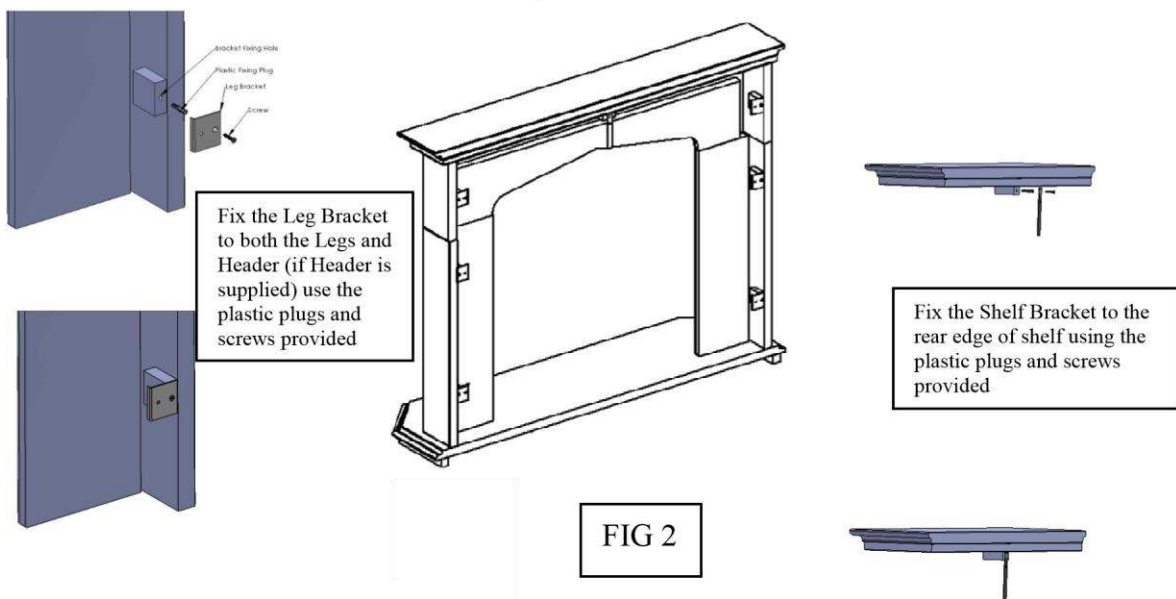
- Fix the “Leg Bracket” to the legs and to the ends of the header as shown below, also if a separated shelf is to be fitted fix the “Shelf Bracket” to the rear edge of the shelf, These brackets are fixed using the plastic plugs and screws provided, ensure the countersunk hole is used for the location of the screw see Fig 2.

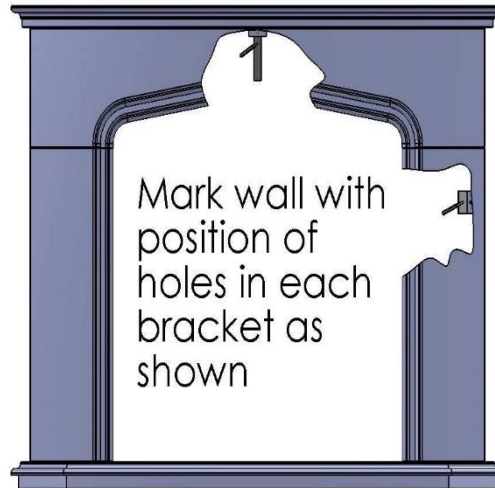


We provide 2 sizes of fixing kit:

Kit 1 is for a 4 bracket set this kit is for use where the fireplace does not have a separate header, please check you bracket kit with Fig.1

Kit 2 is for use where the header is provided as separate component, on some of these fireplaces the shelf will already be attached to the header so the shelf bracket and shelf wall bracket need not be used, please check you have the correct bracket kit with Fig.1



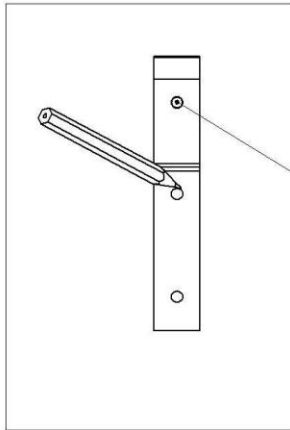


- After laying the hearth in accordance with the Fireplace Installation Instructions, very carefully dry build the fireplace without the back panel in position, satisfy yourself that it is correctly positioned on the hearth and all the components line up square neatly against the wall.
- Using the pencil provided mark through the remaining hole in each bracket, this can be done via the fireplace opening see Fig 3, and this may be difficult with some fireplaces, so in those cases mark the outside profile of the fireplace on the wall then disassembling the fireplace. Offer up each part in turn and mark through the hole on the bracket.
- Carefully disassemble the fireplace and put to one side, locate the pencil marks made from the “Leg brackets” on the wall. Using each pencil mark in turn align the top hole of the “Wall bracket” with mark and the bracket held vertically as shown in Fig 4 pencil through the other 2 holes. These new marks are where you will drill and make the fixing to the wall see Fig 4. Now align the centre hole of the “Shelf Wall Bracket” with mark on the wall and holding the bracket horizontally mark through the other 2 holes see Fig 5. Drill and fix the “Wall Brackets” and the “Shelf Wall Bracket” using suitable secure fixings ensure they are “fit for purpose” and are more than suitable of restraining the weight of the fireplace against the wall.
- Rebuild the fireplace (refer to the “Fireplace Installation Instructions”) locating the “Leg Brackets” behind the “Wall Brackets” suitable adhesive should be applied to the rear of the legs, remembering this time to fit the back panel. Assemble in a similar way the header, and then finally the shelf this should be additionally glued to the top of the header and the “Shelf Bracket” should be located into the “Shelf Wall Bracket”

THESE INSTRUCTIONS DO NOT REPLACE THE “INSTALLATION OF FIREPLACES”

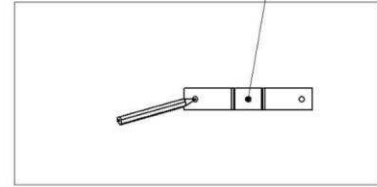
INSTRUCTIONS SUPPLIED WITH THE FIREPLACE BUT SHOULD BE USED IN CONJUNCTION WITH THEM

FIG 4



Align bracket hole with previous mark. Mark and drill the other 2 holes for suitable wall fixing

FIG 5

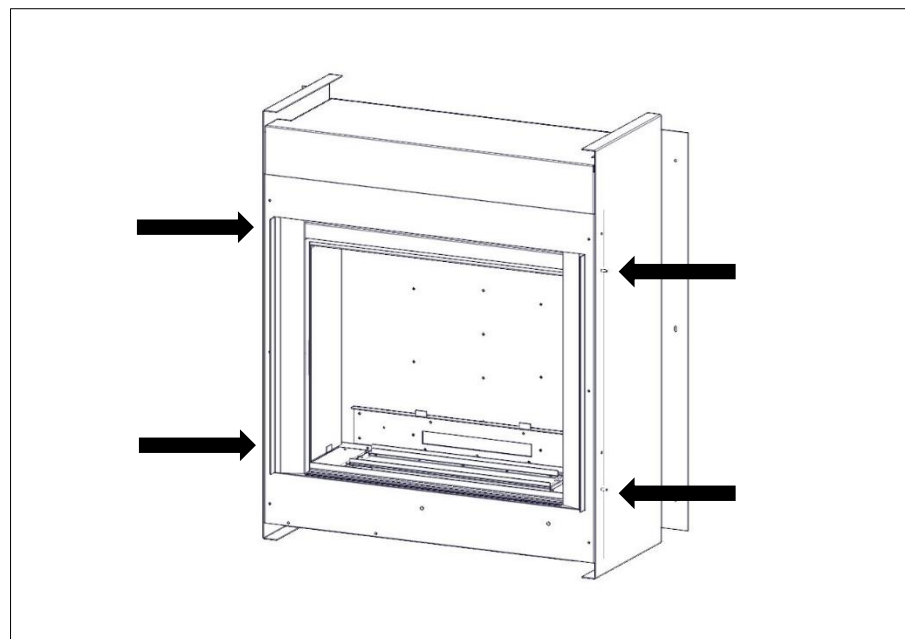
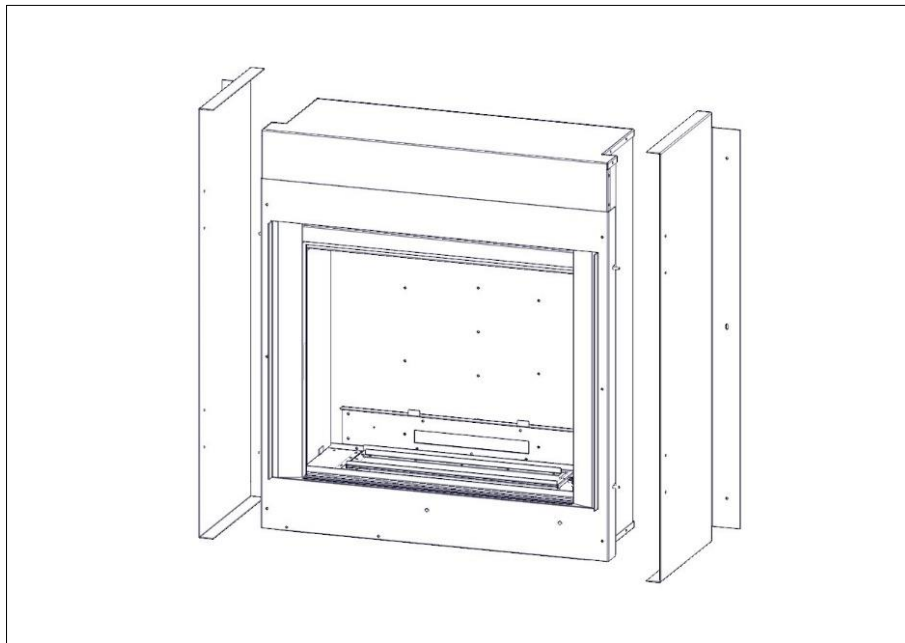


Align bracket hole with previous mark. Mark and drill other 2 holes for suitable wall fixings

INSTALLING THE APPLIANCE WITH A DUMMY CHIMNEY BREAST

This method of installation allows the appliance to be wall mounted on to a suitable outside wall without the need to create an opening within the cavity. This can be used where the desire to create a feature chimneybreast is wanted within the room or where a suitable chamber depth cannot be achieved. I.e. pre cavity wall construction.

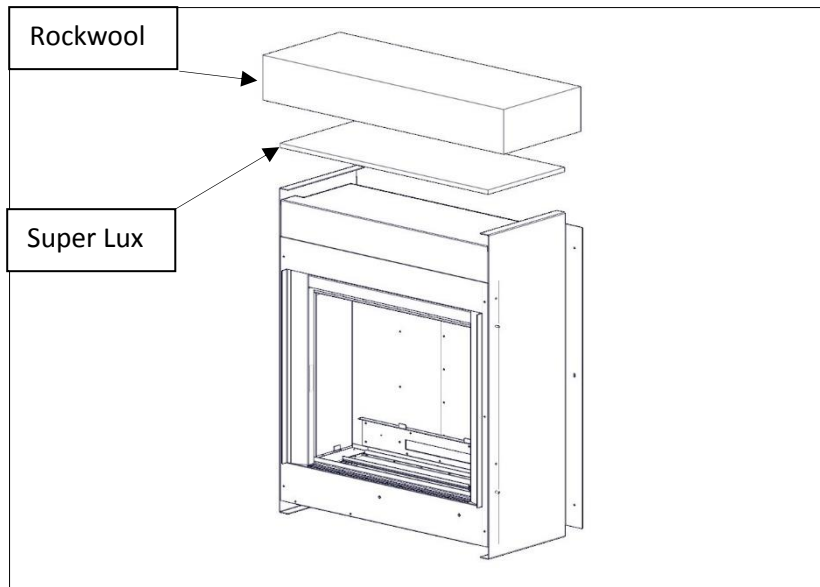
- Fit the universal wall mounting brackets to either side of the appliance using the same fixings as the fireplace frame.



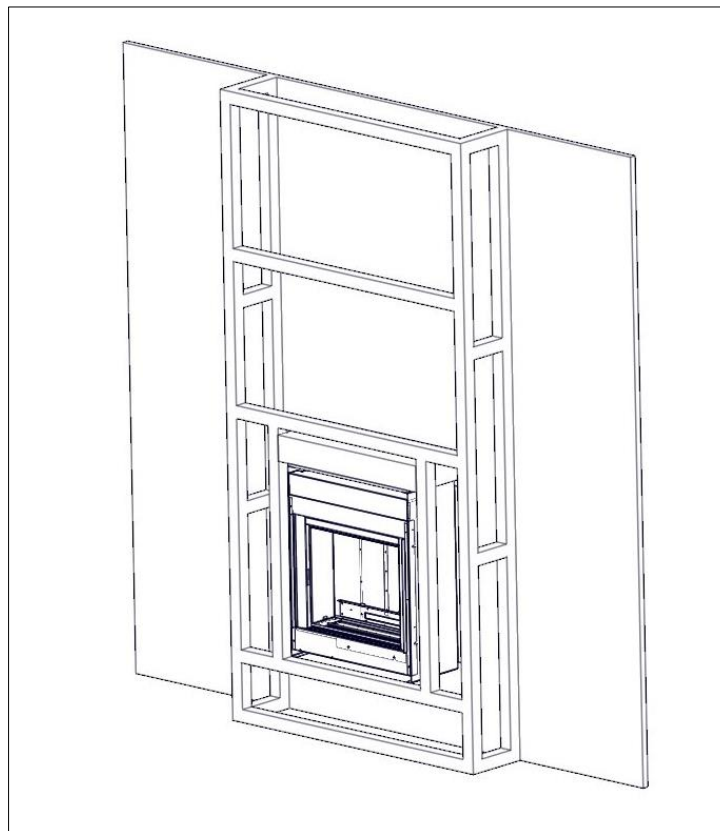
Ensure it is a suitable outside wall constructed of non-combustible materials and that the flue position meets the requirements previously described in **Section 7**.

- Mark a vertical line on the wall at the intended centre of the appliance and fireplace.
- Mark a line 482mm above the intended finished base level.
- Using a long masonry drill, make one pilot hole completely through the wall. Ensure the hole is drilled accurately at the centre and square to the wall both horizontally and vertically at the cross points previously marked.
- Using a 150mm core drill from outside cut a hole following the pilot hole. Drilling from the outside through to the cavity will give a good finish on the outside wall.
- Remove any cavity insulation from the core drill cut out opening and for a further 100mm into the cavity gap each side and above.
- Pack “**Rockwool**” around the opening into the cavity for a depth of 100mm.
- Offer the appliance into the opening and mark through the gas pipe entry hole (see connecting the gas supply section).
- Pass a tape measure through the core-drilled hole and record the distance from the spigots to the surface of the outside wall. Include the length of the spigots themselves in this measurement and increase both the recorded distances by 15mm (5/8”) each for the engagement allowance.
- Cut the length from the 600mm flue pipe provided.
- Remove the appliance from the opening, and position the gas supply (see connecting the gas supply later in this manual), taking account of the relative gas regulations regarding a gas pipe in a cavity (sleeving and sealing etc.). Note the gas feed must be fitted with an isolation valve.
- Position and seal the flue pipe to the respective spigots on the rear of the appliance (use flue seal or fire cement to ensure airtight seal, it must not obstruct the flue).
- Push the appliance back into the opening.
- Drill the center slotted fixing holes through the holes in the flange of the wall mounting brackets and fix back using plugs and screws.
- Ensure the fire is level using a spirit level, Adjust if necessary.
- Drill the remaining four holes and secure with screws and plugs.
- If the flue outlet is fitted below 2m from the floor or a balcony then a flue terminal guard must be fitted.
- (not supplied).
- Complete the gas connection (see connecting the gas supply later in this manual).

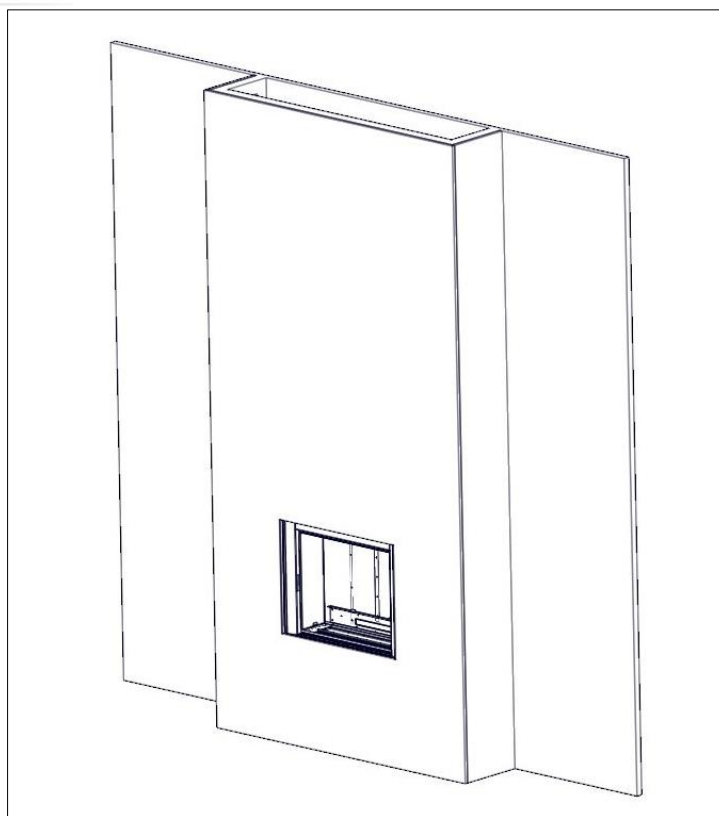
- Fix a sheet of 10mm thick super lux board to the top of the wall mounting brackets. The size of the board required is 605mm x 255mm.



- Place a 100mm sheet of “**Rockwool**” insulation blanket across the top of the super lux board.
- Using a suitable metal stud system available on the market such as Speed Line partitioning system. Construct a false chimneybreast. The depth of the chimneybreast required will be 257mm and should finish level with the front of the fireplace frame.



- Using suitable heatproof board and fixings, cover both sides and front sections of the false chimney. Ensure the board is cut neatly up to the flange of the fireplace frame.



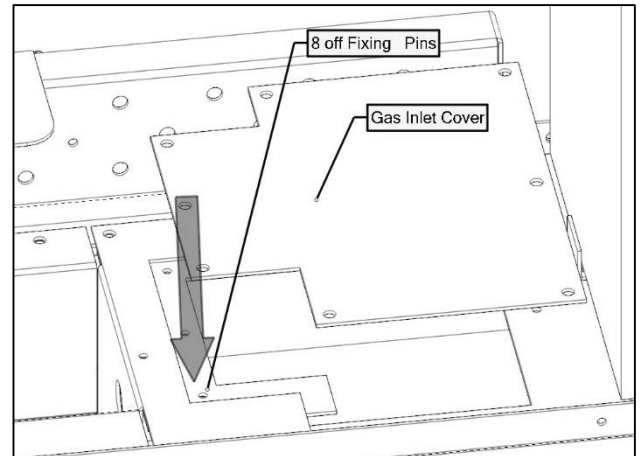
- Finish the chimney breast with edge stop bead around the fire window and apply a skim coat of plaster

SECTION ELEVEN: CONNECTING THE GAS SUPPLY (Installation Instructions)

TURN OFF ANY GAS APPLIANCES THAT ARE FED BY THE METER AND ISOLATE THE GAS SUPPLY BY TURNING OFF AT THE METER.

(please ensure the batteries are connected prior to checking gas soundness)

- The gas connection can be made by removing the gas inlet cover located on the left hand side of the fire box sump assembly. Remove the 8 off fixing screw and remove the plate plus gasket. **Please note special attention should be taken not to damage the gasket.**
- You will then have access to the isolating cock which is fitted in the supply feed.
- When a concealed gas fitting from the rear is required it is necessary to route the pipe to the left side of the unit, taking into account the requirements of BS 6891 1988 dealing with enclosed pipes.
- When installing the firebox into a cavity wall, any part of the installation pipe work installed in the void open to the cavity wall must be enclosed in a gas tight sleeve. It must be sealed at the point at which the sleeved installation pipe enters the fire (The Gas Safety (Installation and Use) Regulations Certificate of exemption number 1 of 1996). Where the pipe enters the fire the outer sleeve must be sealed to the grommet and the pipe must be sealed to its outer sleeve using suitable mastic.

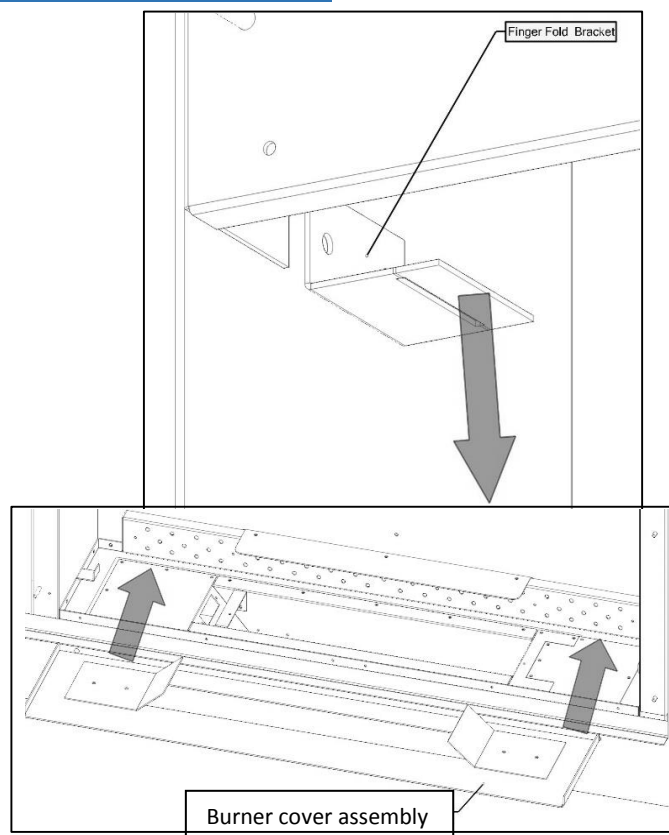


CHECK BURNER PRESSURE AND GENERAL OPERATION

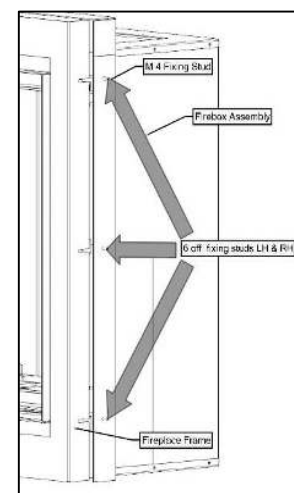
- Remove the screw from the pressure test point on the burner inlet elbow and fit a pressure test gauge.
- Turn on the gas to the appliance and operate as described in section three. Check that the inlet pressure 20mbar +/- 1 mbar for natural gas & 37mbar +/-1 mbar for L.P.G
- Turn off the appliance and remove pressure test gauge.
- Refit the screw into the pressure test point and turn on the appliance again, check that the screw has sealed with leak detection fluid.
- Turn the appliance off.
- **Refit the gas inlet cover and gasket. Please note special attention should be taken not to damage the gasket, and ensure an adequate seal is made.**

SECTION TWELVE: Assemble the appliance (Installation Instructions)

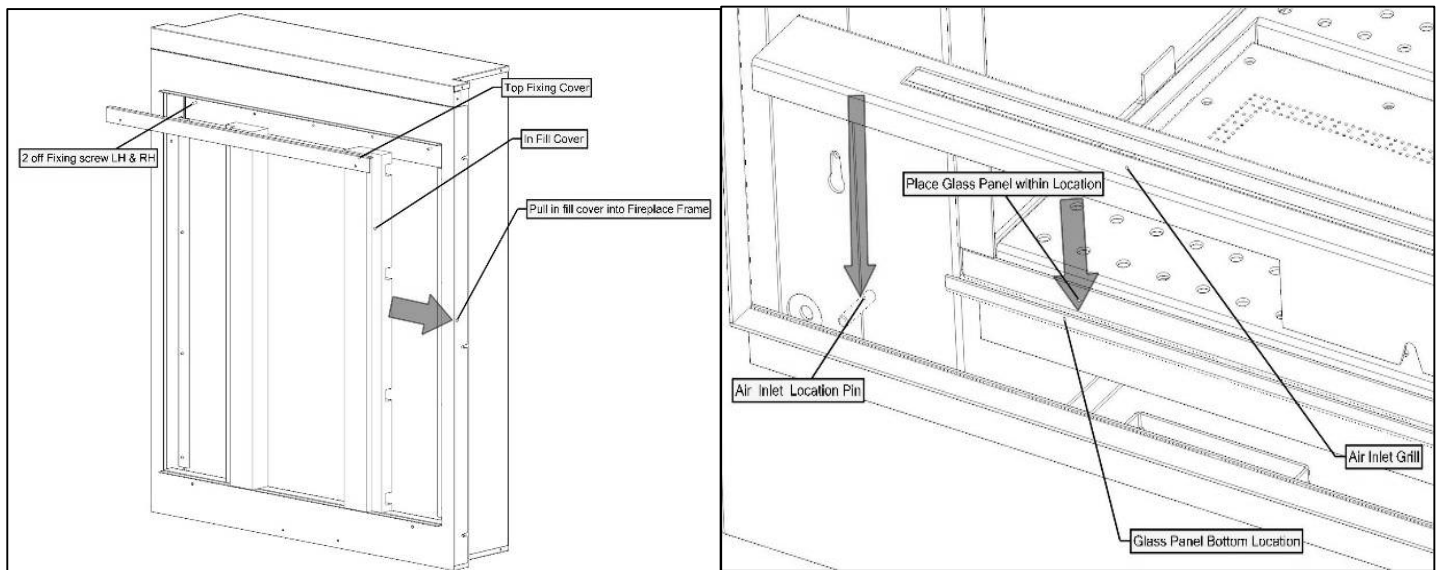
- Taking special care remove the ceramic liner set from within the packaging. The rear liner is in two pieces. Place the bottom rear liner upon the top edge to the air tray. Angle the upper rear line into the fire box assembly and place on top of the rear bottom line.
- With the two rear liner in position. Offer the LH and RH side liner into the bottom brackets within the burner Shelf assembly. (Please note the patterned edge must be positioned along the front). Push the top of the liner back into the chamber sides and secure using the fixing screws and fixing brackets provided.
- Fit the burner cover within the base of the burner tray.
- Position the shapes components as described in section four of this manual; it is important that the shapes are positioned exactly as described to ensure the correct operation of the appliance. Badly positioned shapes may result in the gas flame being driven forward onto the glass and permanently marking it.



The fireplace frame can now be fitted by sliding the assembly over the 4mm location studs positioned on the LH and RH flange of the fire box. When positioned tighten all six off fixings.



- Taking great care, locate the glass panel within the gap between bottom retaining bracket and glass seal.
- When located push back against the seal and locate and tighten the three fixing brackets. (Please note over tightening the fixing nuts can result in damage to the glass panel).
- Load 6 off of the 1.5 v "C" batteries into the holder provided and attach to battery lead. Locate the loaded Holder within the bracket at the bottom of the fireplace assembly.
- Fit the Inlet cover at the bottom of the appliance between the glass panel and fireplace frame assembly.
- Finally place the RH and LH fireplace frame side covers within the fireplace frame assembly.
- When assembly is complete please refer to section three operation



SECTION THIRTEEN: Instruct and Advise the Customer (Installation Instructions)

- Demonstrate the lighting and extinguishing procedure to the consumer/user and the removal and refitting of the trim for cleaning.
- Explain that for the first few hours of the fire operating there will be an initial odour. This is due to the curing of the paint, the appliance should be operated on its high setting, and it is recommended that a window is left open until that odour has completely disappeared.
- Instruct on the glass removal and refitting.
- Instruct on the shapes cleaning and advise that a vacuum cleaner can be used but only after all the loose shapes have been removed. **Refer to 'Health & Safety Notice (See Section One) at the front of this booklet before proceeding.**
- Advise customer that with use the inside of the air box will change colour, particularly the sides and rear. This is quite normal and often adds to the overall effects of the appliance.
- Advise that the appliance should be serviced annually by a competent person i.e. a **Gas safe registered engineer** in accordance with these instructions.
- Although the appliance is fitted with a glass front which acts as a dress guard it is strongly recommended that a fireguard should be used for the protection of children, the elderly or infirm. Fireguards should conform to B. S. 6539 (1984) (Fireguards for use with solid fuel appliance).
- **Hand these instructions to the user.**

SECTION FOURTEEN: Maintenance Instructions (Maintenance Instructions)

General

- Servicing should be carried out annually by a competent person such as a GAS SAFE-registered person in accordance with the relevant regulations, to ensure the safe and correct operation of the appliance.

Warning: - Before commencing any service or replacement of parts, turn off the gas supply to the fire.

- After servicing check for gas soundness.
- When ordering spare parts please quote appliance name and serial number these can be found on the data badge, which is located on the left hand side of the base of the appliance.
- If soot has accumulated check to establish cause, rectify and clean flue accordingly.

Important: - Refer to 'Health & Safety Notice (See Page 3) at the front of this booklet before removing the fuel bed components.

- Examine the shapes for signs of cracking and replace if necessary.(IMPORTANT) see shape layout procedure in section four of this manual before attempting to replace items, which should only be replaced as a complete set with no extra shapes added.

Replacement of Gas Control

1. Remove the LH and RH Fireplace side covers and the inlet cover.
2. Remove the 3 off glass retaining brackets positioned on both sides and top of the glass panel.
3. Remove the glass panel.
4. Remove all shapes and the burner cover plate.
5. Remove the fixing screws from the gas inlet cover and gas kit and shut off restrictor. Break the 8mm compression joint on burner tray outlet pipe.
6. Remove the 3M nut which attaches the EDB unit to the base of the firebox.
7. Remove all the No 6 screws fixing the burner sump to the firebox shelf. Lift the complete burner sump assembly and gas kit out of the firebox shelf.
8. With the sump assembly removed. Disconnect the valve motor wire, Ignition wire and thermocouple interrupter wires from the E.D.B.
9. Disconnect all the pipes and thermocouple from the gas valve.
10. Change, service or replace the valve and re-assemble in reverse order.(new valve will need low rate setting by engineer)
11. Re-assemble the complete tray into the fire in reverse order and re-connect all parts.
12. Turn on the gas supply, check for soundness and recommission.

Replacement of Injector

1. Repeat operations 1-9 for removal of gas control.
2. Clean or replace injector and replace in reverse order, ensuring that the seal around the injector fixing is sound (change if in doubt).
3. Turn on the gas supply, check for soundness and recommission.

Replacement of the Thermocouple

1. Remove the Thermocouple from the rear of the Valve.
2. Disconnect the Thermocouple wires from the E.D.B.
3. Undo the thermocouple nut from the pilot assembly and remove thermocouple and replace.
4. Replace in reverse order, turn on gas supply, check for soundness, correct operation and re-commission.

Replacement of the Pilot Injector

1. Repeat operations 1-9 for removal of gas control.
2. Undo the pilot tube nut at the pilot bracket.
3. Pull the pipe gently back taking care not to damage pipe or olive hook nut.
4. Remove the pilot injector from inside the pilot bracket.
5. Clean or replace pilot injector

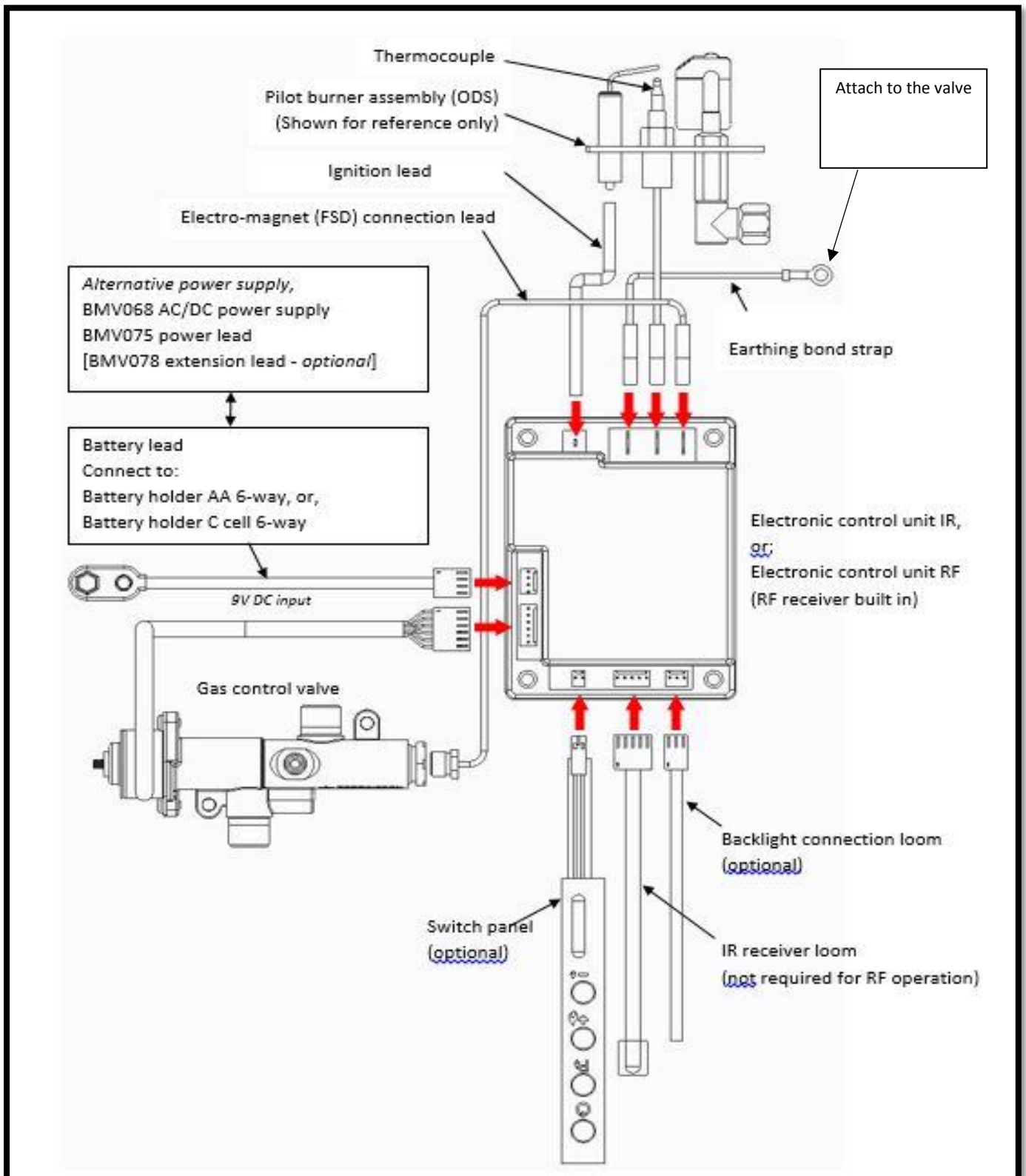
Replacement of the EDB Unit

1. Remove the M3 nuts holding the heat shield, remove the M3 nut and remove the E.D.B.
2. Pull the E.D.B. forward and remove all the wires & connections
3. Replace E.D.B. and reconnect all the wires
4. Re-assemble in the reverse order.

Turn on the gas supply, check for gas soundness, operation and re-commission appliance.

When ordering parts quote 'INFINITY 480 BF' and the serial number of the fire, which can be found on the data badge on bottom left hand side of fire. (Refer to cleaning instructions for trim removal.)

SECTION FIFTEEN: Wiring Diagram (maintenance instructions)



SECTION SIXTEEN Short Spares List

Parts may vary/change due to development of products. A serial number should always be supplied when ordering parts to make sure you receive the correct part.

Parts able to be ordered by customer	
Part Description	Part Number
Handset	5750
Receiver	5751
Log Set	6814
Glass Panel	6004
Battery Holder	5775
Fiber Glow	6844
Parts that require a GAS SAFE engineer to order/fit	
Part Description	Part Number
Burner Bar (NG)	6791
Burner Bar (L.P.G)	7306
Pilot Injector (NG)	2073
Pilot Injector (L.P.G)	2238
Gas Valve	6590
E.D.B/control Board	6722
Ignition Lead	6646
Battery Lead	6596
RF Wiring Loom	6648
Thermocouple RS2V	4739

BALANCED FLUE GAS FIRE COMMISSIONING CHECKLIST

This Commissioning Checklist is to be completed in full by the competent person who commissioned the gas fire as a means of demonstrating compliance with the appropriate Building Regulations and then handed to the customer to keep for future reference.

Failure to install and commission according to the manufacturer's instructions and complete this Benchmark Commissioning Checklist will invalidate the warranty. This does not affect the customer's statutory rights. **PLEASE COMPLETE IN BLOCK CAPITALS.**

Customer name:	Telephone number:
Address:	
Gas Fire make and model:	
Installation location: i.e living/dining room.	
Gas Fire serial number:	
Commissioned by (PRINT NAME):	Gas Safe register number:
Company name:	Telephone number:
Company address:	
	Commissioning date:
Building Regulations Notification Number (if applicable):	

Site Requirements	Yes	N/A
Is the flue terminal sited and fitted as per the manufacturer's instructions?		
Has a flue guard been fitted?		
Hearth Requirements- where fitted		
Is the hearth constructed from non -combustible material?		
Is the hearth a minimum of 12mm thick with a minimum floor to top surface of 50mm?(BS5871) or as per manufacturer's instructions?		
Is the hearth for open fronted fires a minimum of 760mm wide and has 300mm projecting from the fire opening (BS6871) or to manufacturer's instructions?		
Mounting height (where applicable) has the fire been installed to the correct mounting height- as per manufacturer's instructions?		
Firebox and Fuel Bed		
Has the fuel bed, coals, logs, pebbles etc. been fitted to manufacturer's instructions?		
Gas Supply		
Has an isolation valve inlet elbow been fitted for servicing?		
Has the gas supply been thoroughly purged prior to connection to remove any debris?		
Has a gas tightness test been completed prior to breaking into the gas supply and following completion of installation?(IGEM/UP/1B)		
Has the correct gas type been chosen as per manufacturer's instructions?		
Record burner gas pressure reading? If only the supply pressure is available a gas rate must be undertaken.(GSIUR REG26/9C)		
Record dynamic inlet gas pressure (working pressure) reading (all gas appliances running)		
Installation		
Has the gas fire/convector heater been installed and commissioned in accordance with manufacturer's instructions?		
Has the gas fire/convector heater been installed with the correct clearance to combustible materials, service and general clearances adhered to as per manufacturer's instructions?		
The operation of the fire/convector heater and controls have been demonstrated and understood by the customer, including replacement of batteries?		
The manufacturer's literature, including Benchmark Checklist and Service record has been explained and left with the customer?		
Has the appliance been registered with the Local Authority, as detailed on the Gas Safe web site and is a legal requirement and forms part of the warranty?		
Commissioning Engineer's Signature		
Customer's Signature (To confirm satisfactory demonstration and receipt of manufacturer's literature)		

SERVICE RECORD

It is essential that your gas fire is serviced regularly and that the appropriate Service Interval Record is completed. Service Provider

Before completing the appropriate Service Record below, please ensure you have carried out the service as described in the manufacturer's instructions. Always use the manufacturer's specified spare part when replacing controls.

SERVICE 01	Date:
Engineer name:	
Company name:	
Telephone No:	
Gas safe register No:	
Comments:	
Signature	

SERVICE 02	Date:
Engineer name:	
Company name:	
Telephone No:	
Gas safe register No:	
Comments:	
Signature	

SERVICE 03	Date:
Engineer name:	
Company name:	
Telephone No:	
Gas safe register No:	
Comments:	
Signature	

SERVICE 04	Date:
Engineer name:	
Company name:	
Telephone No:	
Gas safe register No:	
Comments:	
Signature	

SERVICE 05	Date:
Engineer name:	
Company name:	
Telephone No:	
Gas safe register No:	
Comments:	
Signature	

Infinity 480 BF			
Product	A-0553	Serial	QC (NG)
ID Label	A-0645	No	RC (L.P.G)

Data Badge	
Burner Tray / Box Assembly	
Air Test Completed	
Unex Glow (2) NG ONLY	
Warning Label (1409)	
Grommet (1406)	
Glass Sub-Assembly	
Silicone Sealing Strip (4818) x 2	
480 BF Log Set (6814)	
Fireplace Frame (6014)	
Battery Holder (5775)	
Inlet Cover (6835)	
Top Fixing Cover (6807)	
“AAA” Batteries (3)	
Remote Control Hand Set	
Handset Holder (5910)	
7mm Spinner (5435)	
Owners Book	
“C” Batteries (12)	
Burner cover (6806)	
Inspector	
Serial Number	