

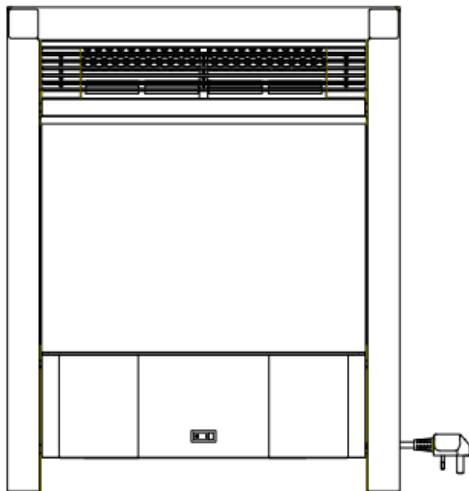
Charlton & Jenrick^{LTD}

Best of British fires, fireplaces & stoves

LED Electric Fire

Model No. EF16NC

INSTALLATION AND OPERATION INSTRUCTIONS



NOTE: This appliance is only suitable for well insulated spaces or occasional use.

please read the instructions carefully before installation or use and keep for future reference

CONTENTS

1. Important Safety Information.....	1
2. Technical Specifications.....	3
3. Parts and Hardware.....	3
4. Appliance Dimensions.....	4
5. Installation Instructions.....	5
6. Operating Instructions.....	9
6a. Manual Control Panel.....	10
6b. Remote Controls.....	11
7. Maintenance.....	12
8. Others.....	13

1. IMPORTANT SAFETY INFORMATION

IMPORTANT INFORMATION

- This heater must not be located immediately below a socket-outlet.
- This heater must be earthed. If in any doubt consult a suitable competent person.
- In order to avoid a hazard due to inadvertent resetting of the thermal cut-out, this appliance must not be supplied through an external switching device, such as a timer, or connected to a circuit that is regularly switched on and off.
- This appliance is not intended for use by persons (including children) with reduced physical, sensory or mental capabilities, or lack of experience and knowledge, unless they have been given supervision or instruction concerning use of the appliance by a person responsible for their safety.
- Children shall not play with the appliance.
- The Fuel bed contains some small glass beads which could be harmful to children if swallowed, it is recommended that these are not used if children can access this appliance.
- Cleaning and user maintenance shall not be made by children without supervision.
- It is recommended that a fireguard should be used for the protection of children, the elderly and infirm. Fireguards should conform to BS 6539 (1984) (Fireguards for use with solid fuel appliances).
- Some parts of this product can become very hot and cause burns. Particular attention has to be given where children and vulnerable people are present.
- **WARNING:** In order to avoid overheating, do not cover the heater.

- If the supply cord is damaged, it must be replaced by a special cord or assembly available from the manufacturer or it's service agent.
- The meaning of figure is:-



“WARNING: DO NOT COVER”.

2. TECHNICAL SPECIFICATIONS

Model No.: EF16NC

Supply Voltage: AC 220-240V 50Hz

Maximum power consumption: 1.5KW

Power for flame effect: 9.5W (LED 5.5W + Motor for flame 4W)

Heat Output:

Nominal heat output (Pnom): 1.5KW

Minimum heat output(indicative) (Pmin): 0.75KW

Maximum continuous heat output (Pmax): 1.5KW

Auxiliary Electricity Consumption:

At nominal heat output (elmax): 12.5W

At minimum heat output (elmin): 11.5W

In standby mode (elSB): 0.36W

Type of heat output / room temperature control


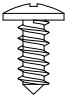

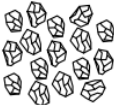
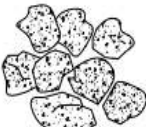

Single stage heat output and no room temperature control	No
Two or more manual stages, no room temperature control	No
With mechanic thermostat room temperature control	yes
With electronic room temperature control	No
Electronic room temperature control plus day timer	No
Electronic room temperature control plus week timer	No



Other Control Options

Room temperature control, with presence detection	No
Room temperature control, with open window detection	No
With distance control option	No
With adaptive start control	No
With working time limitation	No
With black bulb sensor	No

3. PARTS AND HARDWARE

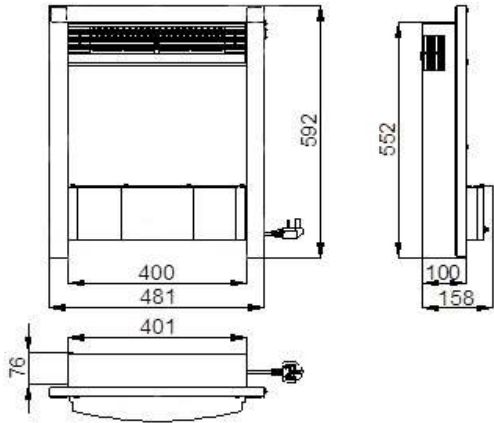
- 3.1 Unpacking the fire carefully, make sure that the appliance is intact with no signs of damage caused by transport and no part has been exposed to water. If in doubt, do not use the appliance and contact an authorised service centre.
- 3.2 Keep plastic wrapping away from children.
- 3.3 Save the original packaging as this may be required in the event of service complaint with product.
- 3.4 Check that all parts are removed from the packing.

		
Alternative Shelf (1)	ST 4* 10 Screws (2)	Logs (1 set)
		

Small clear Faux crystals (1set)	Washed Natural Coal (1 set)	Remote (1)
		
AAA Battery (2)	Instruction Manual (1)	

4. APPLIANCE DIMENSIONS

Unit: mm



NOTE: A spacer frames for flat wall fixing can be purchased from your supplier.

5. INSTALLATION INSTRUCTIONS

Tools Required

A screw driver and a hammer driver will be needed.

Locating the Appliance

Your new electric fireplace may be installed virtually anywhere in your home. However, when choosing a location ensure that the general instructions are followed.

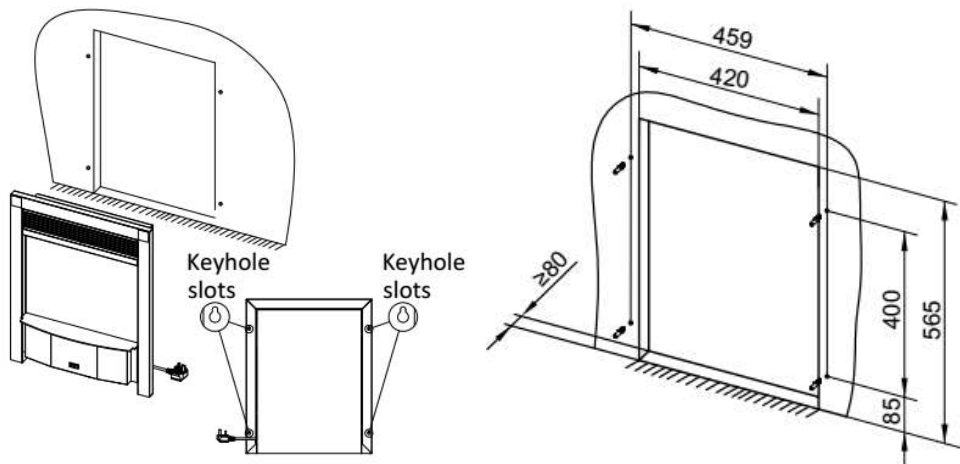
- 5.1 The appliance is designed to fit into a traditional 16" x 22" (406mm x 559mm) fireplace opening (after eliminating unwanted flue draughts) or simply in a fire surround or false chimneybreast of only 3" (75mm) depth against a blank wall. The appliance can be used in a fireplace setting with or without a surround and hearth.
- 5.2 The appliance should be connected to an earthed electrical outlet and it must be easily accessible to allow disconnection. The appliance should be connected to an earthed electrical outlet and it must be easily accessible to allow disconnection.
- 5.3 For best results, install out of direct sunlight.
- 5.4 If installing in an existing fireplace and chimney always block the chimney with fibreglass insulation or similar to prevent it sucking air away through the appliance. Failure to do this may cause poor performance and loss of heat or make the appliance cut out.
- 5.5 The appliance should be connected to an earthed electrical outlet and it must be easily accessible to allow disconnection.
- 5.6 **THE APPLIANCE IS FITTED WITH AN INLET PLUG AND SOCKET UNDERNEATH THE RIGHT SIDE OF THE CASING. ALWAYS MAKE SURE THAT IT IS FULLY PUSHED IN AND SECURE BEFORE OPERATING THE FIRE. DAMAGE COULD OCCUR IF IT IS NOT FITTED PROPERLY.**
- 5.7 The electrical cable may be re-routed out of the rear or left side grommet holes of the fire base but the grommet **MUST** be correctly located in the exit slot to be used.
- 5.8 The product is fitted with a non-rewireable plug with a 13Amp fuse. Only competent persons should attempt replacement.

The wires in the mains cable of this appliance are coloured in accordance with the following code:

Blue = Neutral. Brown = Live. Green/yellow = earth.

Installation

Installation into a fireplace opening/insert:



Opening Size For Insert			Positions for Fixing Screw		
W	D	H	Wo	Ho	Lo
420	≥80	565	459	400	85

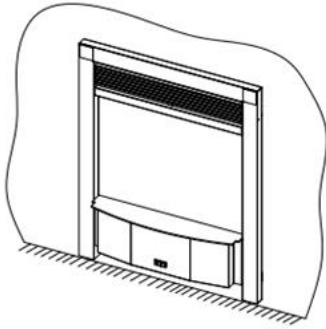
5.9a Carefully, mark out the 4 fixing screw positions as above (positions for fixing screw: to dimensions Wo, Ho, and Lo).

5.9b If Masonry wall drill 4 holes $\Phi 8$. Fit the plastic wall plug into the holes. If wall is timber, then drill a smaller hole to suit the screws, the plastic wall plugs will not be required.

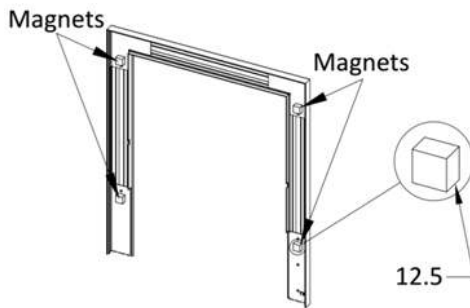
5.9c Fit 4 screws ST5×25 leaving approximately 2mm projection between the panel and the underside of the screw head.

5.9d Lift and insert the appliance onto screws so that the keyhole slots is on the screw heads.

5.9e Tighten the 4 screws to lock the appliance into position.

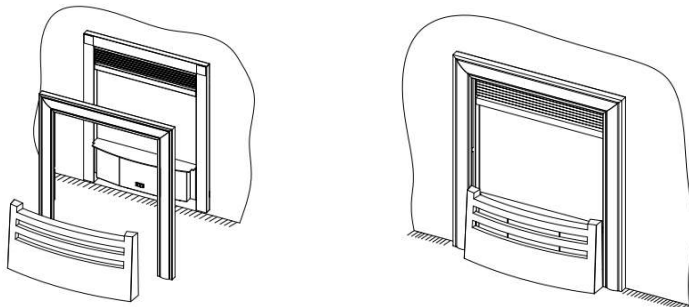


5.9f Put 4pcs magnets (with the size of 18×18×12.5) onto the frame.

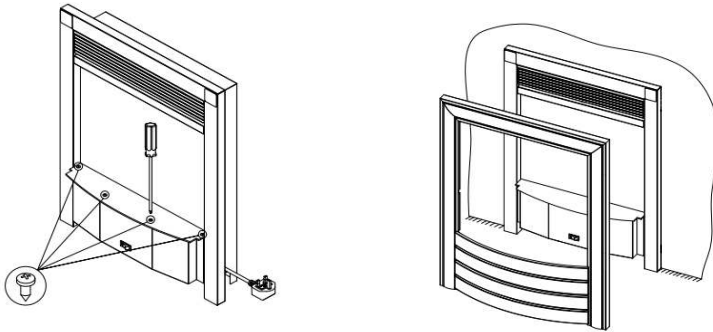


For the Trim TR1622-11C & fret:

5.9g Put the trim and fret onto front of the appliance. Then arrange the fuel bed to your own choice using the fuel bed items provided on the plastic shelf.



To use the appliance with the Elite Fascia: you will need to replace the plastic shelf with the alternative shelf provided before the installation of the appliance before carryout steps 5.9f to 5.9g above.

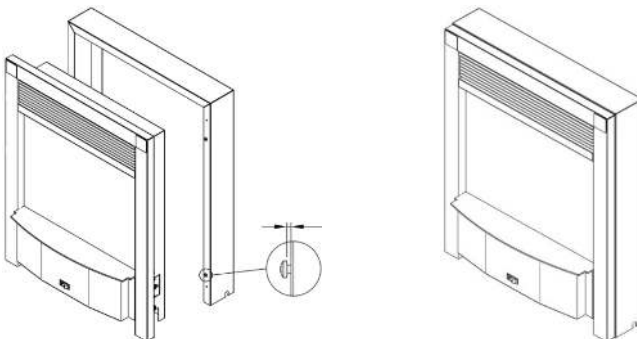


5.9h Remove 4pcs screws ST4×8 from the plastic shelf. Then remove the plastic shelf and replace with alternative shelf provided and secure with 4pcs st4×8 screws. Put the Elite Fascia onto the front of the appliance. Then arrange the fuel bed to your own choice using the fuel bed items provided on the plastic shelf.

Installation of Spacer

5.9i A spacer is available to use the appliance as a fully outset. Firstly, secure the spacer to the wall or fireplace (ensure the supply cable is passed under the cut out in the leg of the spacer) and then fix the appliance into the spacer using the 4 self-tapping screws provided.

5.9j Install four ST4×10 screws on both sides of the spacer and have about 2mm space as shown in the picture. Lift the insert into position so the keyhole slots locate on the screw heads. Lock the screws.



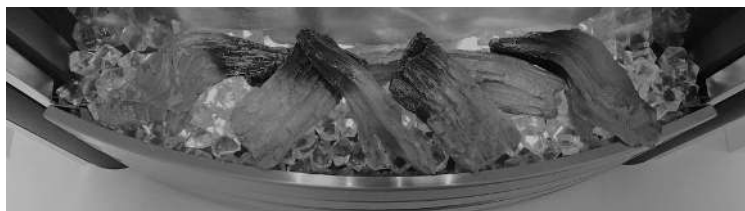
Fuel Bed Arrangement

For an attractive fuel bed arrangement its recommended that you put a layer of the small clear Faux Crystals on the fuel bed before laying the outer items of choice.

Typical Fuel Bed : Coal and Small clear Faux crystals



Typical Fuel Bed : Logs and Small clear Faux crystals



6. OPERATING INSTRUCTIONS

WARNING! Do not operate the appliance if it is damaged or has malfunctioned. If you suspect the appliance is damaged or has malfunctioned call a qualified service engineer to inspect the appliance, and replace any part of the electrical system if necessary, before reuse.

WARNING! To reduce the risk of fire, keep textiles, curtains, or any other flammable material a minimum distance of 1 meter from the air outlet.

MAKE SURE the plug fits tight in the outlet. Faulty wall outlet connections or loose plugs can cause the outlet to overheat.

Do not disconnect the power at the mains supply whilst the appliance is running. Use the functions on the remote to turn the fire off and ensure the mains switch has been moved to the off position before disconnecting.

PREPARATION BEFORE USE

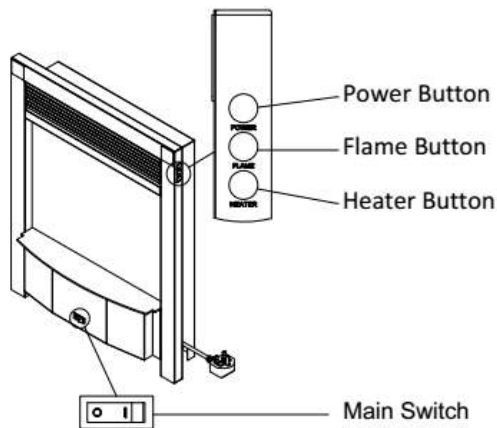
6.1 The appliance can be operated by both remote control and the manual controls on the appliance.

NOTE: To use both remote and manual functions the manual on/off switch must be in 'ON' position. In order to prevent the product becoming too hot, there is 10s delay when turning on the heater and a 10s delay when turning off the heater fan.

Batteries

Ensure that the handset batteries are new and inserted correctly.

6a. MANUAL CONTROL PANEL



NOTE: The manual button controls basic functions, not a full range of controls. Use the remote hand set to carry out all functions.

Main switch

The main switch supplies power to all of the functions of the fireplace. This must be in the "ON" position for any of the functions including the remote to work.

Power button

Press once turns appliance and flame effects on. Press again turns appliance and flame effects& heating off.

Flame button

By pressing the FLAME button, the unit will cycle through four flame effect.

Heater button

Press once turns Fan on, and 10s later Low heat on. (Pilot lights illuminated ●○)




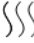


Press again turns on High heat. (Pilot lights illuminated ●●)

Press third time turns heat off. 10s later fan off (Pilot lights illuminated ○○)

There are 3 levels you can cycle through including the OFF setting.

6b. REMOTE CONTROLS

Multifunctional Infrared Remote Handset:

	ICON	TITLE	FUNCTION
		POWER	Press once to turn appliance and flame effects on. Press again to turn appliance and flame effects off.
		FLAME	The fire has four flame effects, by pressing the flame effect button the unit will cycle through each effect.
		HEATER	Press once to turn Fan on, and 10s later Low heat on. (Pilot lights illuminated ●○) Press again to turn High heat on. (Pilot lights illuminated ●●) Press third time to turn heat off. 10s later fan off (Pilot lights illuminated ○○) There are 3 levels you can cycle through, including the OFF setting.
		TEMP	Digital display shows the TEMP setting 23°C (default), with 14 settings circle from "OFF", "16°C" to "28°C". The TEMP will increase by 1°C up to 28°C when pressed each time. By pressing the TEMP for 3S, the digital display can show between °C and °F.
		TIMER	Cycles from OFF, 0.5H, 1H, 2H, 3H, 4H, 5H, 6H, 7H,8H, to 9H.

Resetting the Thermal Cut Out

- 6b.1 The appliance is fitted with an Electronic Safety Control (E.S.). This is a safety device, which switches off the fire if, for any reason, the appliance overheats, e.g. when covered. If the heater stops operating while the flame effect continues working normally, this indicates that the E.S. Control is in operation. The E.S. Control can only be re-set after the appliance has cooled down, and the appliance has been reset. Re-setting of the E.S. Control proceeds as follows:
- 6b.2 Switch off the appliance (Manual On/Off switch) and leave it off for approximately 10-15 minutes.
- 6b.3 Remove any obstruction to the fan heater outlet or fan blades etc. Make sure that the power supply is disconnected with the plug socket outlet while doing this.
- 6b.4 Switch on the appliance and the E.S. Control will be re-set.
- 6b.5 Ensure that the appliance is functioning correctly. If the E.S. Control operates again, the appliance should be checked by a competent electrician.

7. MAINTENANCE

WARNING: Before any maintenance or cleaning of the exterior of the fireplace, the unit should be disconnected from the power supply until it is cool off.

Remote Handset Battery Replacement

- 7.1 Two AAA batteries are needed for the replacement. The batteries should be installed correctly in the remote control.

Cleaning the Fireplace

Cleaning or polishing products are not recommended. Fingerprints or other marks on the front glass panel can be removed by a piece of soft, damp, lint-free cloth with a good quality household glass cleaner. The front glass panel should always be completely dried with a clean, lint-free cloth or paper towel.

CAUTION: Abrasive cleaners should not be used on the glass panel. Liquids should not be sprayed directly onto any surface of the unit.

8. OTHERS



Environment

Meaning of crossed –out wheeled dustbin:

Electrical appliances should not be disposed as unsorted municipal waste. Separate collection facilities should be used in the disposal of electrical appliances. Contact your local government for the information about the available collection systems. If electrical appliances are disposed of in landfills or dumps, hazardous substances can leak into the groundwater and get into the food chain, damaging your health and well-being. When old appliances are replaced by the new ones, it is a legal oblige for the retailer to take back the old appliance for disposals at least free of charge.



This fire complies with the Safety Standards EN 60335-1 and EN 60335-2-30 which covers the essential requirements of the Low Voltage Directive 2014/35/EU and the EMC standards EN 55014-1; EN 55014-2; EN 61000-3-2 and EN 61000-3-3 which covers the essential requirements of the European Electro Magnetic Compatibility 2014/30/EU.

Charlton & Jenrick Ltd

Unit D, Stafford Park 2, Telford, Shropshire, TF3 3AR

Tel: (0845) 5195 991 Fax (0845) 5195 992

www.charltonandjenrick.co.uk

3.EF.196.05.021