

THE
POLARIS
ELECTRIC FIRE RANGE



Charlton & Jenrick^{LTD}
Best of British fires, fireplaces & stoves

THE POLARIS ELECTRIC FIRE RANGE

POLARIS 840e, 1000e and 1600e

The Next Generation in Ultra-realistic Living Flame Electric Fires.

Gone are the days when an electric fire was the last option if you could not install a gas or solid fuel appliance. Modern electric fires are now the pinnacle of design and the first choice for the discerning consumer who wants looks, ease of use and the latest in technology.

The Polaris range from Charlton & Jenrick offers stunning ultra-realistic flame-effect fires that boast market-leading features and finishes that represent the next generation of modern living.

Design opportunities are endless, and the fires will become the centre of your living area where you can build them into bookcases, media units and feature walls. The optional mood lighting allows you to power and control up to 6 metres of LED lights that can be incorporated into your designs.

Key Features

- Realistic flame effect with a choice of three flame colours and five flame speeds
- Active Glowing Ember Fuel Bed with five brightness settings and a choice of thirteen different colours and a setting that cycles through all the options
- Supplied with logs as standard. All logs are hand-painted to be extremely realistic and no log is repeated in the set which includes brown logs, moss logs, split logs and bark pieces. The fuel bed also includes realistic embers and bark
- LED technology (low running cost long life) lighting effect on the fires
- Supports and controls compatible LED mood lights (controlled with appliance remote control). It will support up to six metres of optional LED lighting strips to illuminate your installation feature, fireplace or general surround
- All spare parts can be exchanged through the removal of the glass and the parts are all plug-and-play modules
- The fires are fully compliant with eco design standard
- Anti-reflective window front and sides as standard
- Full functional remote supplied as standard
- 1-2kW Adaptive control (on board energy manager)
- Accurate room temperature control (Electronic thermostat in hand remote)
- Daily and 7-day Programmable Heating
- Supplied with wall bracket and 2 mounting brackets
- Kettle Plug Cable for easy prewiring.





COMPLETE VERSATILITY

Each fire comes complete with side panels which can be removed, giving a choice of a one, two or three aspect fire window.



*Subject to terms and conditions



The most versatile fire in the range.

The proportions of the 840e make it ideal to fit into any living space either in a bespoke feature or as a hang-on-the-wall fire.



Polaris 840e shown as wall-hung three-sided arrangement





Polaris 840e shown as three-sided arrangement

Medium-sized landscape fire with endless possibilities.

The 1000e is the middle-sized Polaris fire that like the others can be installed in many ways; one sided, two sided or three sided.



Polaris 1000e shown as a three-sided arrangement built into a feature wall





Polaris 1000e shown as a hole-in-the-wall fire, single-sided arrangement with slips

The largest landscape fire in the range.

At 1.6 metres wide, this fire is ideal for large feature walls and room dividers. Imagination is the only limit to what can be achieved when installing these fires.



Polaris 1600e shown as a three-sided arrangement built into a feature wall



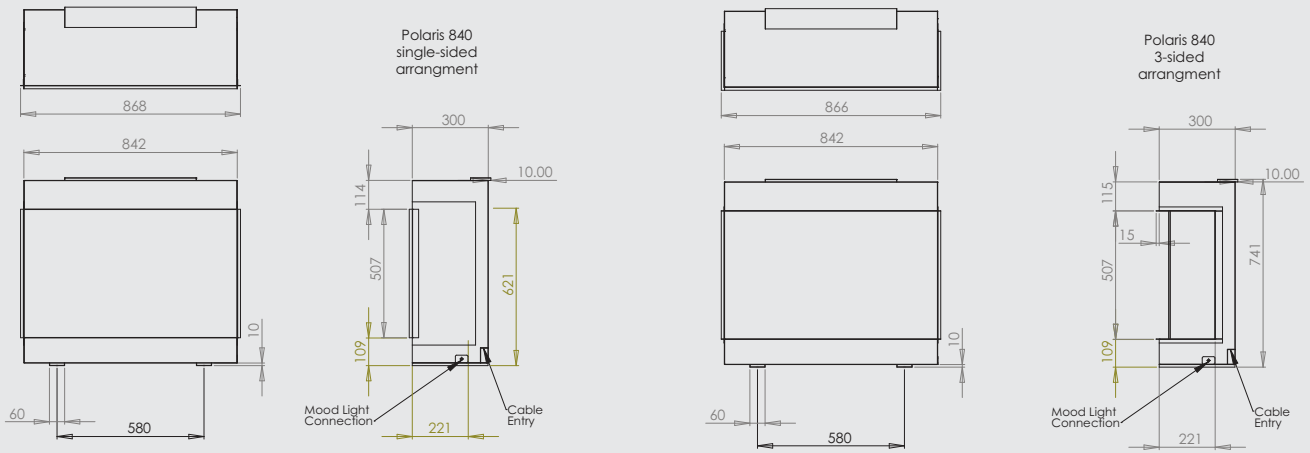


Polaris 1600e shown as a two-sided arrangement built into a feature wall

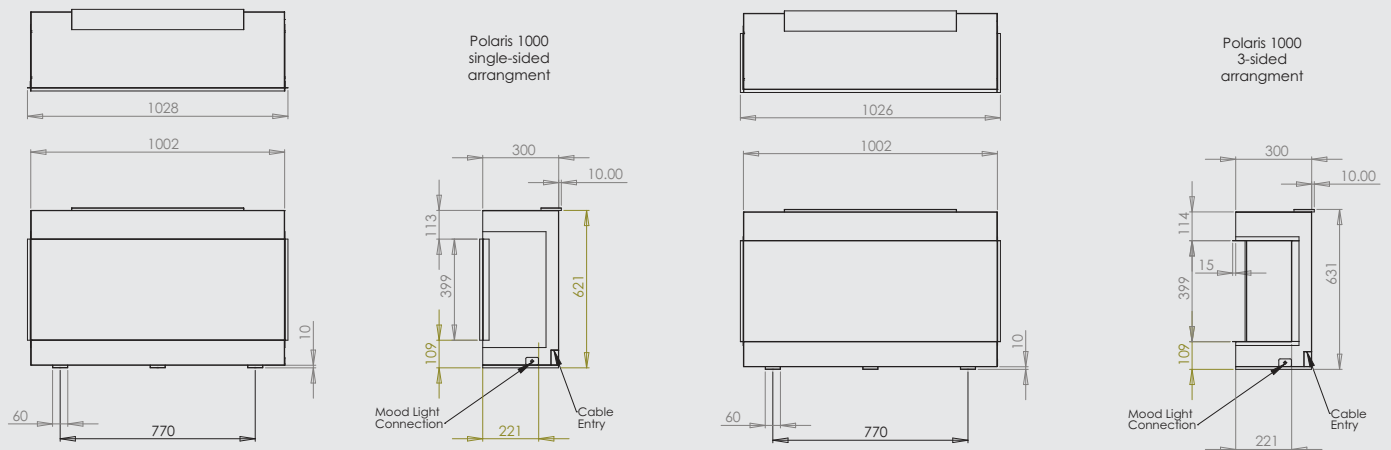


Dimensions and Specifications

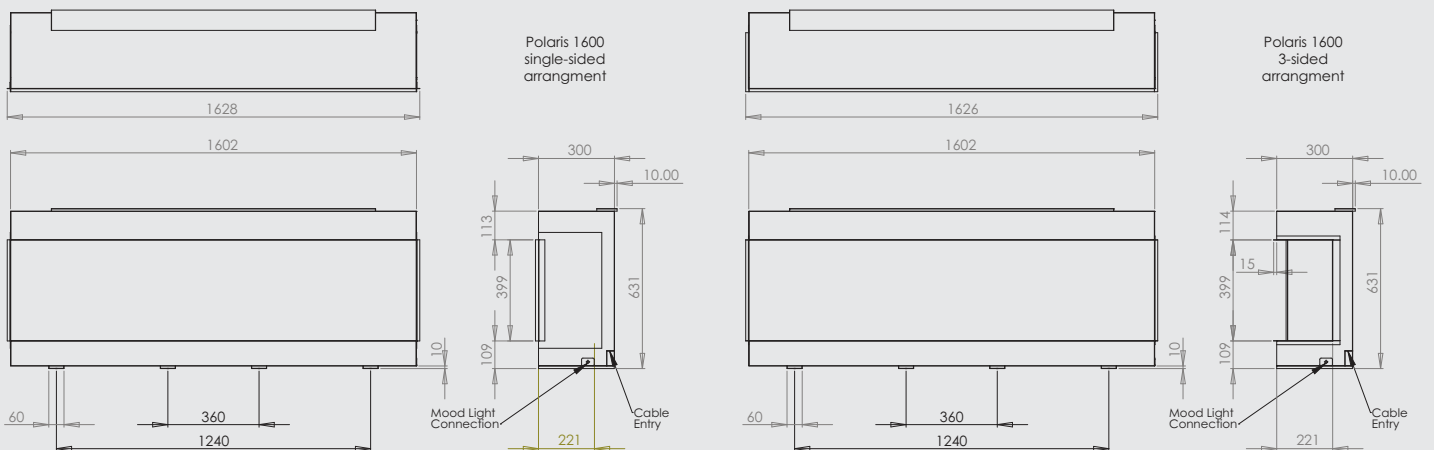
POLARIS 840e



POLARIS 1000e



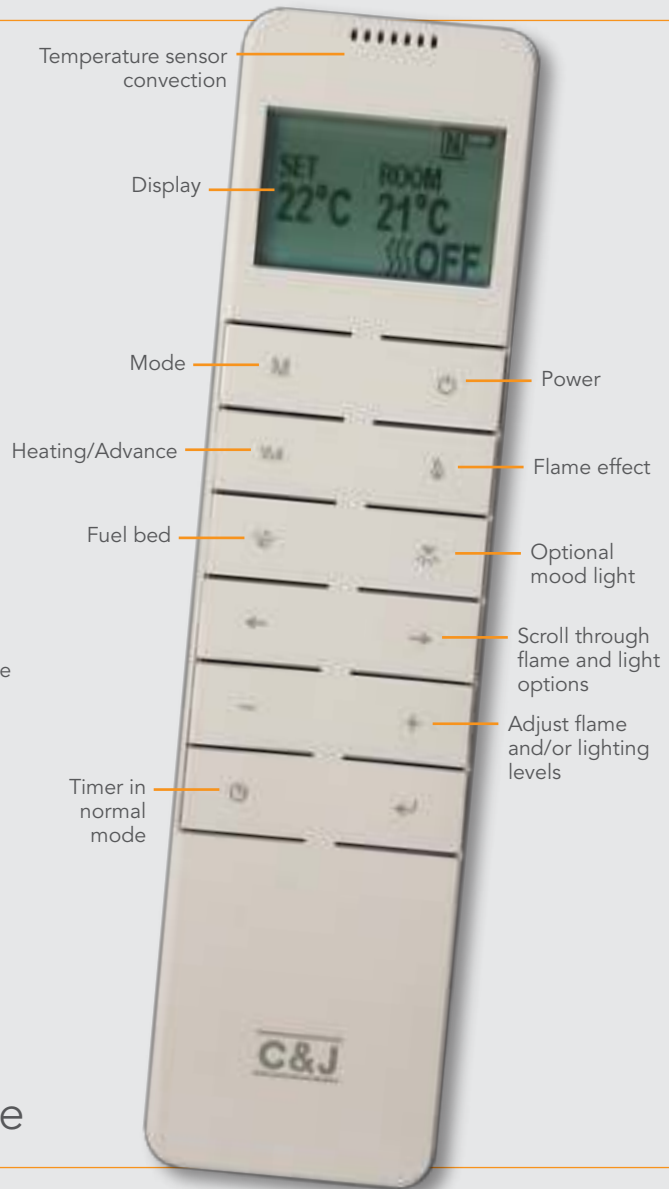
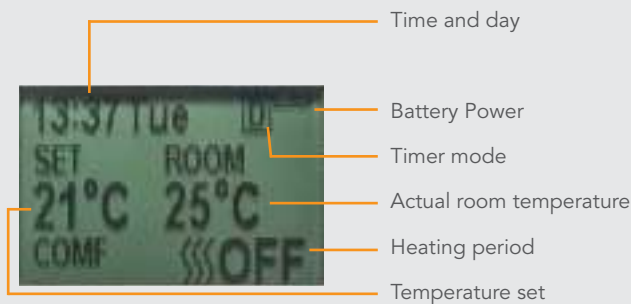
POLARIS 1600e



ThermoControl Remote

How to control your new EcoDesign-ready electric fire

The innovative, technologically advanced Thermostatic remote control helps you easily control your fire and access its many features. The flame effect, fuel bed lighting, mood lights and heater can all be operated individually or in conjunction with one another.



Creating the mood – with optional lighting kits available

- Create your own bespoke ambience with optional lighting kits.
- Additional LED lighting strips up to 6 metres long are available.
- LED strips are flexible, allowing installation not only in the fireplace but on surrounding furniture as well.



Scan QR code to view the POLARIS Electric Fires on YouTube ▶





Charlton & Jenrick^{LTD}

Best of British fires, fireplaces & stoves



Charlton & Jenrick Ltd, Unit D,
Stafford Park 2, Telford, Shropshire TF3 3AR
Tel: 0845 519 5991 Fax: 0845 519 5992
e-mail: sales@charltonandjenrick.co.uk

www.charltonandjenrick.co.uk

CONNECT WITH US:

