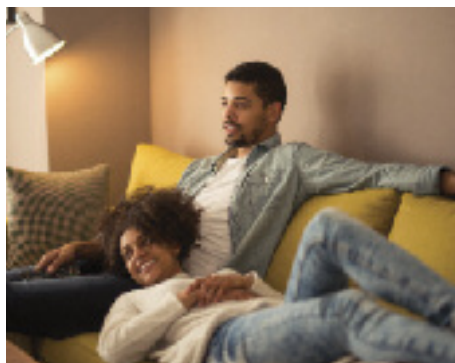




Go Eco Plus (cast door) 5kW Stove



Go Eco Stove Range



Charlton & Jenrick^{LTD}

Best of British fires, fireplaces & stoves

Go Eco Stove Range

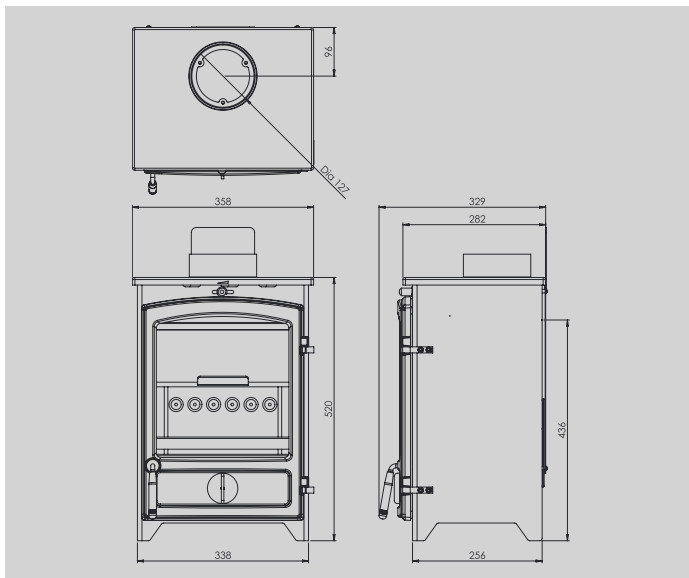
Entry Level
Ecodesign Ready Stoves

- SIA Ecodesign Ready 2022 certified – ultra clean burning and low emissions
- Full multifuel capability as standard
- 80% plus efficiency
- Extra powerful air wash system
- Patented tertiary air system
- Laser profiled and fully seam welded steel construction
- DEFRA Exempt for burning wood in smokeless zones
- 280mm (11") slimline body depth as standard
- Choice of Standard model with steel door or Plus model with solid cast iron door

- Static Multi fuel bar Grate
- Corrosion resistant steel ash pan
- Laser profiled steel multi tool provided
- Firebrick refractory liners for longevity
- Superimposed hearth compatible
- Minimum 300mm rear clearances from combustibles*
- 50mm minimum clearances from non-combustibles
- Top & Rear flue connection
- Huge glass area

*Using twin wall flue from the top of the stove plus heatshield provided

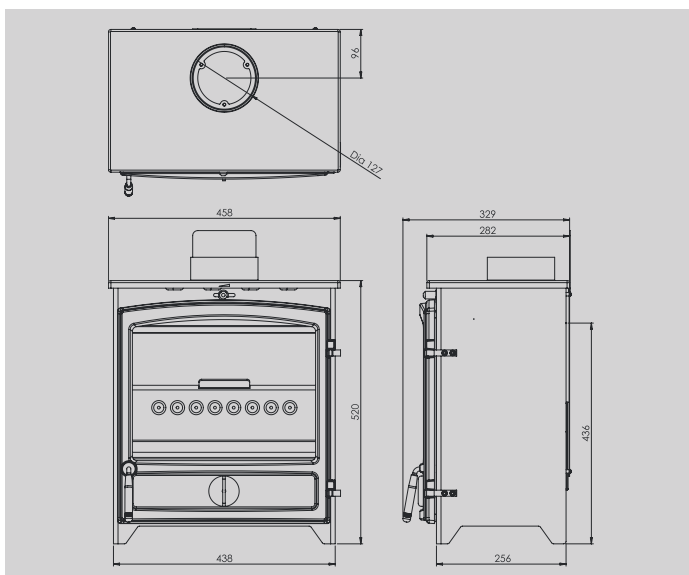
Dimensions & Specification



Go Eco 5kW Stove



Go Eco 5kW Wide stove shown in Beckford suite



Go Eco 5kW Wide Stove

Charlton & Jenrick Ltd

Unit D, Stafford Park 2, Telford, Shropshire TF3 3AR

Tel: 0845 519 5991 e-mail: sales@charltonandjenrick.co.uk



www.charltonandjenrick.co.uk



@cJfires



www.facebook.com/cJfires

Charlton & Jenrick LTD

Best of British fires, fireplaces & stoves