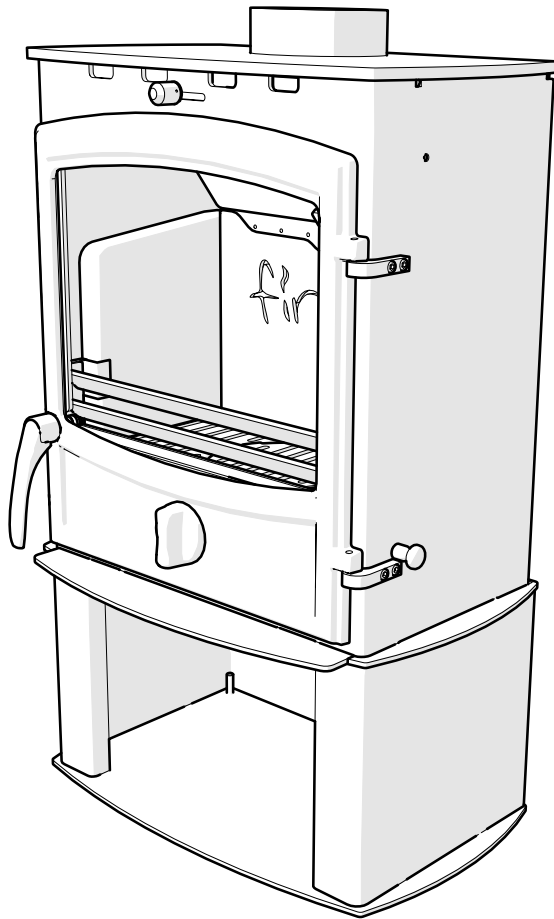


## Fireline FX/FP Stove Optional Stand

### Assembly Guide



1. Remove four adjustable M8 feet bolts from the legs of the stove assembly. Fig 1
2. **IMPORTANT. DO NOT REMOVE THE HEATSHIELD FITTED TO THE UNDERSIDE OF THE STOVE. THIS MUST REMAIN IN PLACE AT ALL TIMES.** Fig 2
3. Check that adjustable feet bolts are already in place under the optional stand, if not, assemble them now and screw right in. Fig 3
4. Lower the stove into the slots on the top of the stand so that it rests on the stand. Fig 4
5. Insert the 4 x M8 bolts into the legs of the stove securing it to the stand firmly. Fig 5
6. If required, to fix the stove to the hearth, drill the base plate of the stand and secure with appropriate fixings (not supplied) .

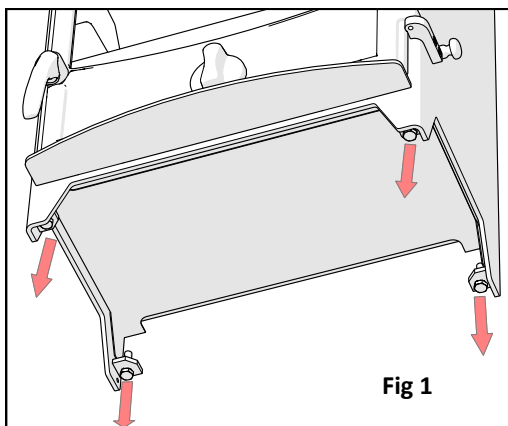


Fig 1

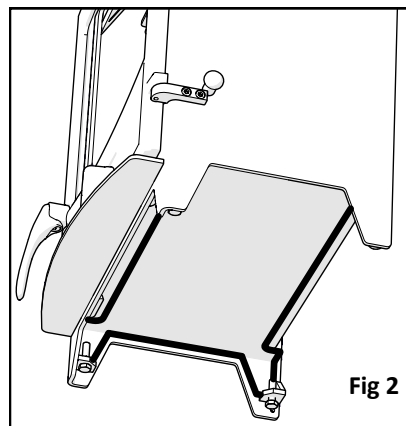


Fig 2

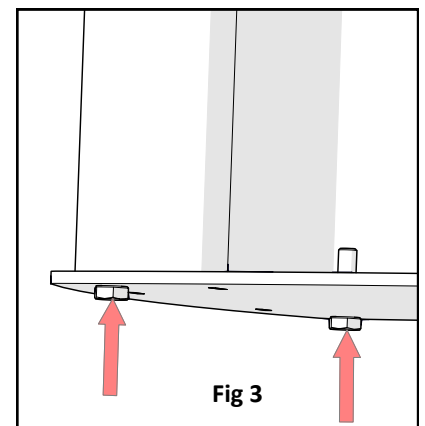


Fig 3

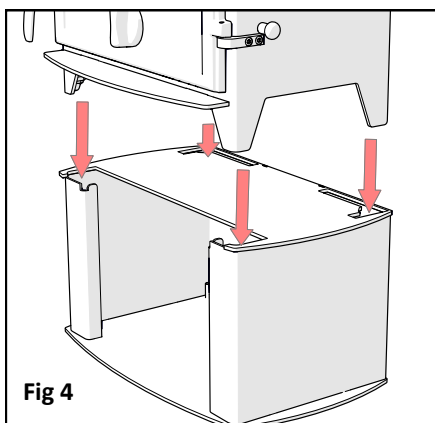


Fig 4

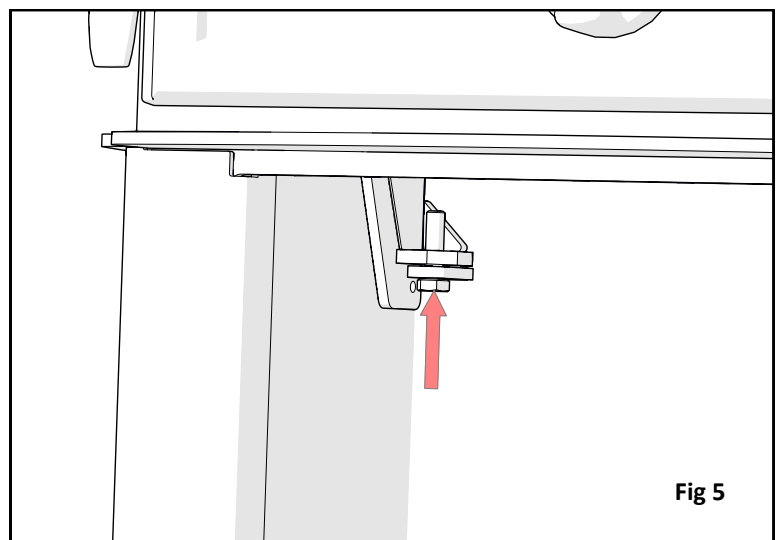


Fig 5