

# PARAGON 2000 Xtra Owner's Book

INCLUDES USER, INSTALLATION &  
MAINTENANCE INSTRUCTIONS

**Please read these instructions carefully before you start using the  
appliance**

**Keep this booklet handy for future reference**

**This appliance is  
for use in GREAT BRITAIN or IRELAND  
only**

A QUALITY PRODUCT FROM PARAGON FIRES

# PARAGON 2000 Xtra Instructions

## CONTENTS

CONTENTS	PAGE
<b>User Instructions</b>	<b>3</b>
<b>SECTION ONE Introduction</b> .....	<b>3</b>
Consumer Protection .....	3
Health and Safety .....	3
Introduction .....	4
<b>SECTION TWO Operation</b> .....	<b>4</b>
<b>SECTION THREE Fuel Bed Cleaning and Layout</b> .....	<b>5</b>
Coal Layout .....	5
<b>SECTION FOUR Important information</b> .....	<b>8</b>
<b>INSTALLATION INSTRUCTIONS</b>	<b>9</b>
<b>SECTION FIVE Specification</b> .....	<b>9</b>
<b>SECTION SIX Regulations and Warnings</b> .....	<b>9</b>
<b>SECTION SEVEN Siting the Appliance</b> .....	<b>10</b>
Class One .....	10
Class Two Pre-Cast Flue .....	11
Class Two Fabricated Metal .....	11
<b>SECTION EIGHT Fireplace Requirements</b> .....	<b>11</b>
Hole in the Wall installations .....	12
Clearance to Shelf .....	13
Clearance to Side of Fire .....	13
Ventilation .....	13
<b>SECTION NINE To Install the Appliance</b> .....	<b>13</b>
Examine Flue /Chimney .....	13
Connecting to the Gas Supply .....	14
Gas Concealed Connection .....	14
Gas Connection From the Front .....	14
Fixing Fire into Opening .....	14
Optional Cable Fixing System .....	14
Checking Gas Soundness .....	15
Fuel Bed Layout .....	15
Checking Operation of Fire .....	15
Checking Product Clearance .....	15
Completion of Installation .....	16
Advise Customer That .....	16
<b>MAINTENANCE INSTRUCTIONS</b>	<b>16</b>
<b>SECTION TEN Maintenance</b> .....	<b>16</b>
General .....	16
Fuel Bed Cleaning .....	17
Pilot Linting .....	17
Replacement of Gas Control .....	17
Replacement of Burner and or Silencer .....	17
Replacement of Injector .....	18
Replacement of Pilot Assembly .....	18

# PARAGON 2000 Xtra Users Instructions

## SECTION ONE Introduction

### Consumer Protection Information

As manufacturers and suppliers of heating products, we take every care, as far as is reasonably practicable, that these products are so designed and constructed as to meet the general safety requirement when properly used and installed. To this end, our products are thoroughly tested and examined before despatch.

**IMPORTANT NOTICE:** Any alteration that is not approved by the appliance manufacturer could invalidate the approval of the appliance, operation of the warranty and could affect your statutory rights.

### Health and Safety Notice

#### **Important**

This appliance could contain some of the materials, indicated below, that could be interpreted as being injurious to health and safety. It is the users / installers responsibility to ensure that the necessary personal protective clothing is worn when handling these materials, see below for information.

**Artificial Fuels, Mineral Wool, Insulation Material, Refractory/Ceramic Fibres, Glass Yarn** - *may be harmful if inhaled, may be irritating to skin, eyes, nose and throat.*

**When handling** *avoid inhaling and contact with skin or eyes. Use disposable gloves, facemasks and eye protection. After handling wash hands and other exposed parts. If a vacuum is used for cleaning the fuel bed or cleaning after servicing / installation it is recommended that it be of the type fitted with a HEPA filter.*

**Disposal of refractory/ceramic materials.** To keep dust to a minimum these materials should be securely wrapped in polythene and be clearly labelled 'RCF waste'. These materials are not classified as 'hazardous waste and should be disposed of at a site licensed for the disposal of industrial waste.

## INTRODUCTION

The PARAGON 2000 Xtra is a decorative fuel effect appliance with a radiant heat conserver box for improved efficiency.

The PARAGON 2000 Xtra is designed and tested to the requirements of the EN 509

The PARAGON 2000 Xtra is available in one version **Natural Gas** . The markings (**G20** for natural gas) on the packaging and the data badge specify the gas for which the appliance has been factory set. **Note: These appliances should only be used on the appropriate gas specified. They are not suitable for conversion from one gas to the other.**

The PARAGON 2000 Xtra should be installed and serviced by a competent person i.e. Gas Safe-registered, in accordance with the current Gas Safety (Installation and Use) Regulations 1998 (as amended).

The chimney or flue (unless new) must be swept before installation if it has been used for solid fuel or oil.

# PARAGON 2000 Xtra Users Instructions

## SECTION ONE Introduction Continued

The PARAGON 2000 Xtra incorporates a single gas control, which selects ignition pilot, and main burner low and high settings.

The PARAGON 2000 Xtra incorporates a safety device in the form of an Oxygen Depletion System, which constantly monitors the oxygen in the room and will cause the fire to switch off if the oxygen level reduces, for instance due to insufficient ventilation or a blocked flue. If this repeatedly occurs do not attempt to relight the appliance until a qualified engineer has checked it, the problem may not be due to lack of air or a defective flue.








**Warning:-**This appliance has a naked flame, has with all such fires it is recommended that a fireguard should be used for the protection of children, the elderly and infirm. Fireguards should conform to BS 6539 (1984) (Fireguards for use with solid fuel appliances).

During the normal operation of the fire some black staining may appear on some parts of the fuel bed. This is quite normal and adds to the appearance of the appliance. However, if excessive black staining does occur it may be due to the fuel bed being incorrectly laid. This should be checked prior to contacting a service engineer.

## SECTION TWO Operation

The pilot can be left on or the pilot can be extinguished and relit each time the fire is used. The appliance Control Knob is positioned behind the fret.

The full lighting procedure is as follows: -

- a. Push knob in as far as possible on gas control.
- b. Turn knob anti-clockwise until a click is heard. The knob will stop at the position marked  and a spark should be seen at the tip of the ignition probe. At the same time the pilot flame should light. KEEP THE KNOB PRESSED IN FOR 20 SECONDS. Should the pilot fail to light, turn the control knob clockwise to the  position, wait 3 minutes and repeat the procedure.
- c. After lighting the pilot flame the control knob should be allowed to spring out slightly. This will allow you to turn the knob further anti-clockwise to the position marked . The pilot flame should then ignite the main fire.
- d. It is possible to adjust the height of the flames by turning the control knob between the positions marked  and . Note that the knob 'latches' in position at either end of this movement and must be pushed in slightly before it can be turned.
- e. To turn the fire off, depress the knob slightly and turn it to the  position.
- f. To completely extinguish the fire, depress the knob slightly and turn to  the position.

**Note:** -If the ignition fails the pilot can be lit with a taper or a match held at the pilot head.

# PARAGON 2000 Xtra Users Instructions

## SECTION THREE Fuel Bed Cleaning and Layout

**Important:** - Refer to the 'Health & Safety Notice located on page 3 of this booklet before cleaning or replacing any refractory material.

The fuel bed components are delicate and they should be handled with great care. The loose parts and moulded shapes may be removed for cleaning. They can be brushed very gently with a soft brush to remove dust or any deposits. A vacuum cleaner may only be used after the loose components and moulded shapes have been removed.

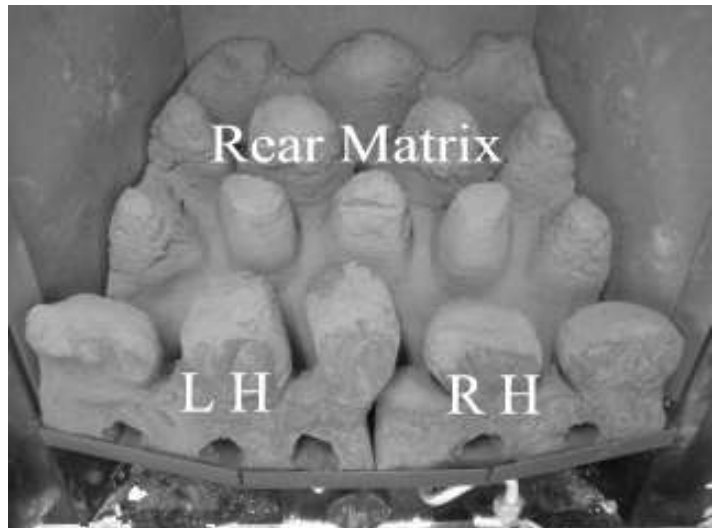
CARE SHOULD BE TAKEN TO AVOID CONTACT WITH THE REFRACTORY LINING THIS IS A DELICATE SURFACE AND SHOULD **NOT** BE WIPED OR RUBBED.

### FUEL BED LAYOUT (COAL OPTION)

- Ensure the BASE MATRIX is in position as shown located against the rear edge of the burner outlet



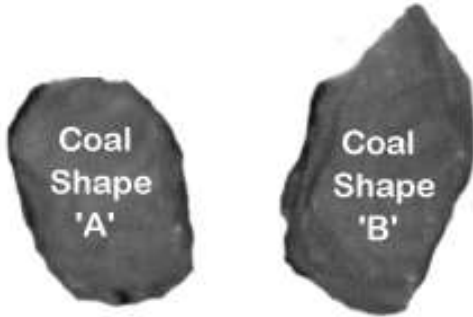
- Locate the LEFT HAND and RIGHT HAND FRONT COALS as shown so that they sit on the front rail and lean back against the BASE MATRIX. Note it is most important that they are located in their correct positions. They are marked on the rear "L" for LEFT HAND FRONT COAL and "R" for RIGHT HAND FRONT COAL.



# PARAGON 2000 Xtra Users Instructions

## SECTION THREE Fuel Bed Cleaning and Layout Cont.

- Slide front support over front edge of fire where the left & right front coals meet, see below.



Note the loose coal provided consist of :-  
5 off shaped as coal "A"  
9 off shaped as coal "B"

Separate the coal into the two size groups

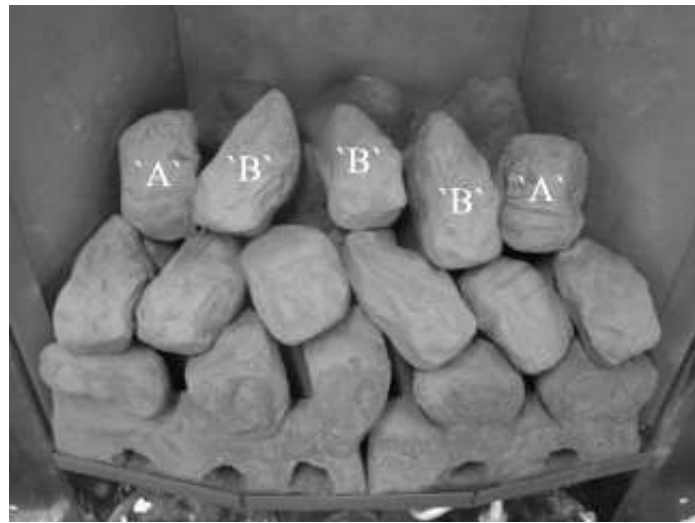
- Lay first row of loose coals 4 off "B" and 2 off "A" coals as shown so that they bridge across



# PARAGON 2000 Xtra Users Instructions

## SECTION THREE Fuel Bed Cleaning and Layout Cont.

- Lay second row of loose coals 3 off "B" and 2 off "A" shapes as shown.



- Lay third row of loose coals 2 off "B" shape and 1 off "A" shape as shown.



# PARAGON 2000 Xtra Users Instructions

## SECTION FOUR Important Information

The only user removable parts are: -

- The loose pebbles or coals .
- The left hand front pebble or coal shape.
- The right hand front pebble or coal shape.
- The base matrix
- Cast Fret
- Decorative Trim

## SECTION FOUR Important Information Continued.

Like all appliances incorporating an aerated burner a low frequency noise may be heard, particularly on the low setting, this is quite normal and does not affect the operation of the appliance.

### Servicing

It is advised that the PARAGON 2000 Xtra fire is serviced annually this is more likely to provide trouble-free operation. A competent person must carry this out, i.e. Gas Safe Registered Installer in accordance with the current Gas Safety (Installation and Use) Regulations 1998 (as amended).

The chimney or flue should be checked annually to ensure clearance of combustion products.

### Ventilation in the United Kingdom

This appliance does not normally require purpose-built ventilation but if for any special reason purpose-built ventilation is provided it should be checked periodically to ensure freedom from obstruction.

### Ventilation in the Republic of Ireland

Must be permanent ventilation and must comply with the rules in force and should be checked periodically to ensure freedom from obstruction.

### General Appliance Care

Any debris from the chimney or flue should be removed from the fuel bed. The fire should be allowed to cool for three to four hours before removing debris.

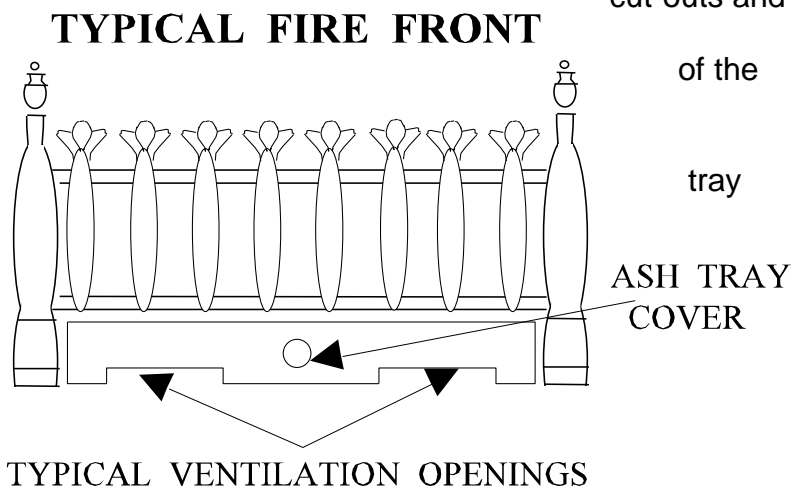
Rubbish must not be thrown onto the fuel bed under any circumstances. The cast fire front must be positioned in front of the fire whilst it is burning.

### Fret

A Fret must be used with this appliance, and must conform too: -

- It must be made from non-combustible material.
- Its general construction should enable it to stand firmly across the full width of the burner.
- The design of the fire front (fret) must have a removable ashtray cover (lower section).
- The ash tray cover must have or holes which provide ventilation to the underside burner.

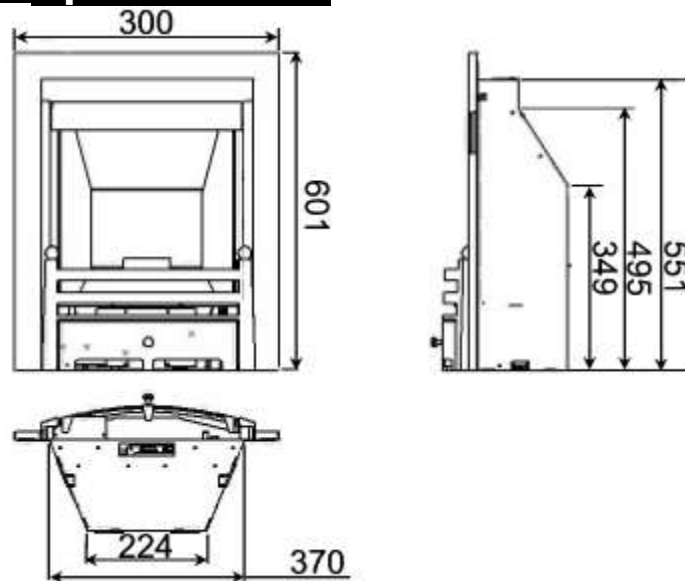
The effective area of ventilation through the ash cover must be greater than 1365mm<sup>2</sup> (2.12 sq. ins.)





# PARAGON 2000 Xtra Installation Instructions

## SECTION FIVE Specification



### NATURAL GAS

Category of Appliance:.....	B <sub>AS</sub>
Category	I <sub>2H</sub>
Gas type:.....	G20
Gas Pressure:.....	20 mbar
Gas input high:.....	7.00 kW Gross
Gas input low:.....	2.40 kW Gross
Injector Main:.....	Size 460A
Oxy-pilot.....	SIT9040
Data Label Location:.....	Behind trim
Gas Connection:.....	8 mm OD Tube

## SECTION SIX Regulations and Warnings

- THIS APPLIANCE MUST ONLY BE INSTALLED IN THE GB OR IRELAND.
- Only to be used in sufficiently ventilated room. Read instructions carefully before installation and use. The appliance must be installed by a competent person, i.e.. Gas Safe Registered Installer in accordance with the current Gas Safety (Installation and Use) Regulations 1998 (as amended). Failure to do so could lead to prosecution.
- This PARAGON 2000 Plus is for use ONLY with the GAS STATED ON THE DATA BADGE this may be *G20 for Natural Gas* or *G31 for Propane Gas* CHECK YOU HAVE THE CORRECT APPLIANCE FOR THE GAS YOU ARE USING.
- It can be used in conjunction with the following chimneys: -
- A conventional brick or stone chimney,
- A pre-cast flue conforming to BS 1289 Pt. 1 or Pt. 2
- A metal flue and box conforming to BS 715, further details are covered in later text.

# PARAGON 2000 Xtra Installation Instructions

## SECTION SIX Regulations and Warnings Continued

- A non-combustible hearth must be provided to comply with the building regulations or a suitable proprietary fire surround with a 100 degrees C rating.
- During initial firing an odour may be evident. This is the binder used during the manufacture of the fibre components and there are no harmful effects produced.

The following are the relevant Codes of Practice and British Standards: -

BS 5871                      BS 8303                      BS 5440 part 1                      BS 1251  
 BS 6891                      BS 6461 parts 1 & 2                      BS 715                      BS 1289pt 1& 2

**Note:- This appliance must be installed to current versions of the above standards and include any relevant amendments.**

The Building Regulations issued by the Department of the Environment  
 The Building Standards (Scotland) (Consolidation) Regulations issued by the Scottish Development Office.

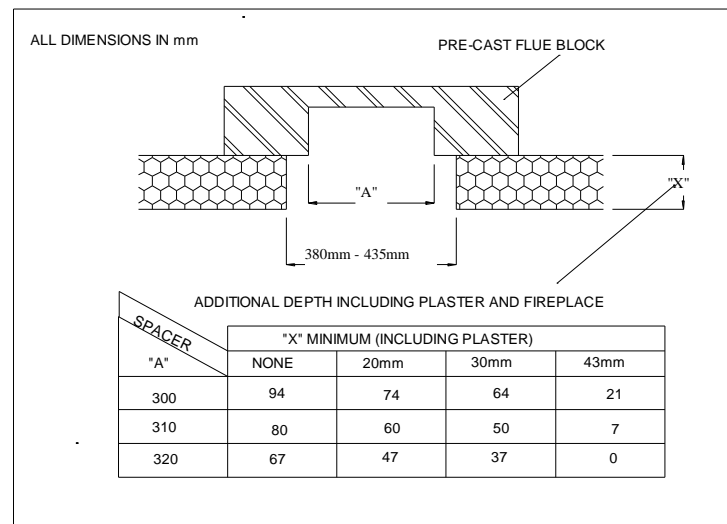
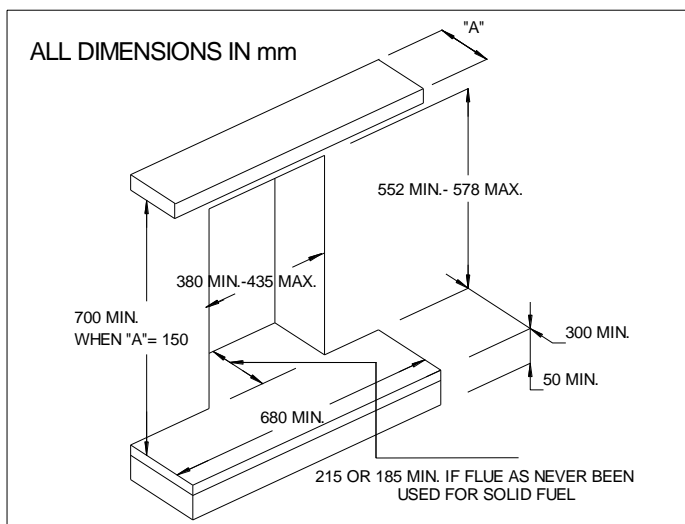
## SECTION SEVEN Siting the Appliance

The fire can be installed in the following flues and locations: -

### • CLASS ONE

A conventional brick or stone chimney as used for a solid fuel appliance with a typical effective cross-sectional dimension of 225 x 225 mm (9 x 9 ins) or a lined flue with a minimum diameter of 125 mm (5 ins)

**Note: The restrictor plate, which is separately packed, may be fitted to flue of 175mm (7") or greater. This being subject to satisfactory product clearance.**



Fireplace opening must be 552 mm - 578 mm high by 380 mm – 435 mm wide (or up to 458 mm if the cable fixing system is used).

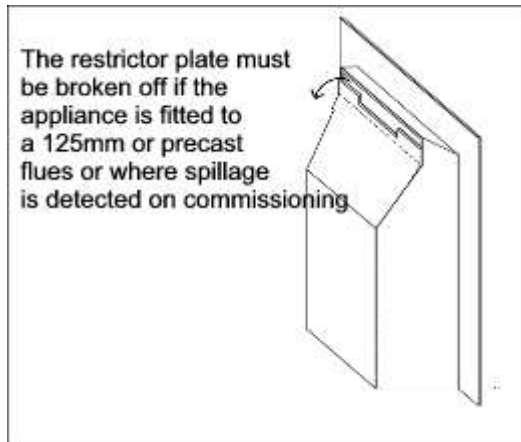
The opening depth must be a minimum of 215 mm to allow sufficient volume for debris collection (this depth may be reduced to 185 mm if the chimney is new or has never been used for solid fuel or oil before). To obtain this depth it may be necessary to remove the chairbrick. **Note: spacers are available in 20mm and 42mm to further reduce the opening depth if required (if a spacer is used then the thickness of the spacer must be added to the minimum 300mm hearth depth to comply with regulations).**

Any permanent flue restriction or variable dampers are to be removed or locked fully open. The chimney should be swept prior to installation if not new.

# PARAGON 2000 Xtra Installation Instructions

## SECTION SEVEN Siting the Appliance Continued

- CLASS TWO PRE-CAST



A pre-cast flue conforming to the requirements of BS 1289 part 1 & 2. A suitable fire resisting fire surround will be required, spaced out to the correct thickness, between the face of the flue blocks and the rear of the appliance frame. **IMPORTANT: - the flue restrictor plate must not be fitted when the appliance is installed in this type of flue.**

Note: An inspection should be made to ensure that the internal walls of the flue are clear of mortar fangs. It is recommended that the plasterwork should not be directly bonded to the surface of the flue blocks, ensuring that there is a small air gap

between the flue blocks and the wall surface. The fire can be installed with the plasterwork being directly bonded to the flue blocks but there is a risk of surface cracking occurring to the plaster above the appliance.

- CLASS TWO FABRICATED METAL

A double-walled or insulated metal flue box built to the requirements of BS 715 with an insulated flue having a minimum diameter of 125 mm (5 ins) and a minimum effective overall height of 3 metres (10 ft).

**IMPORTANT: - the flue restrictor plate must not be fitted when the appliance is installed in this type of flue.**

**Note:** A brick or stone chimney with a 125 mm (5 ins) minimum diameter flue liner conforming to BS 715 may be used. Provided a suitable sealing plate is fitted to the base of the liner and the appliance does not restrict the opening into the liner.

**Note:** Dampers or register plates must not restrict any of the above flues. The flue must only service a single appliance and not have any branches or traps, which may impede the natural draught. If a terminal is fitted it must be suitable for the purpose.

## SECTION EIGHT Fireplace Requirements

A flat face of 605 mm high x 500 mm wide must be provided around the fireplace opening for the fixing of the appliance to ensure that a good seal is formed. The base of the fire opening must be flat to ensure sound fixing of the appliance.

A non-combustible hearth must be provided beneath the appliance within the fireplace opening, a fire-resisting hearth must also be provided symmetrically disposed about the fireplace opening a minimum thickness of 12 mm with the perimeter 50mm above floor level. The width must extend a minimum of 150 mm either side of the fireplace opening and a depth of 300 mm (+ thickness of spacer if a spacer is used).

Purpose-built superimposed fire-resistant hearths and back panels, specified as suitable by the manufacturers, may be used, or a suitable proprietary fire surround with a 100°C rating.

# **PARAGON 2000 Xtra Installation Instructions**

## **SECTION EIGHT Fireplace Requirements Continued**

### **Hole in the Wall Installation**

**Please read these instructions carefully if you intend an Installation without a hearth.**

***This appliance must be installed in accordance with all relevant sections of approved document “J” of the building regulations***

It is recommended that a non combustible hearth extends a minimum of 300mm forward of the fire opening and a minimum of 150mm either side, and that a rise exist at the front edge and sides of the hearth of a minimum of 50mm.

The fire may be installed so that its base sits on a surface of a fire opening at least 105 mm up from the floor (*this is to ensure that no flame or incandescent material is less than 225mm above the floor, a requirement of approved document “J”*). Where this is the case a means must be provided to support the fret this may typically be met with a small projecting hearth of minimum 100mm. Unless the fret is fixed to the appliance or is an integral part of the fascia of the appliance.

Consideration should be given to the location of the appliance ensuring it is very visible and it should be positioned at a height were it can clearly be seen on approach.

Frets, and Fascias used for HOLE in the WALL must be compliant with Paragon Fires CE approval; these are listed at the end of this page.

Where the fire is fitted as a “Hole in the Wall” without a hearth the installer MUST ensure the appliance is fixed firmly into the opening to ensure no movement takes place to the fuel bed when the appliance controls are operated.

The installer MUST ensure that the fuel bed is laid correctly and securely

The installer MUST advise the user that care should be taken when the appliance is in use to ensure occupants **do not** get unnecessarily close to the appliance or position furniture or other appliances to close.

The installer MUST remind user of the requirement to fit a “secure fireguard” where the room is used by elderly, infirm or young persons.

The installer MUST explain to the user that the area immediately in front of the appliance must always be keep clear of combustible items other than the floor covering (which must be fixed)

HOLE in the WALL installations

List of approved Paragon Frets

Wellington 2000  
Gate  
Post

List of Approved Fascias

Odyssey 2001  
Solar  
The Box

# **PARAGON 2000 Xtra Installation Instructions**

## **SECTION EIGHT Fireplace Requirements Continued**

### **CLEARANCE TO SHELF**

Minimum clearance from hearth to underside of combustible shelf should be 700mm provided shelf depth 150mm or less. This height may be reduced to 640mm for a shelf depth of 100mm or less

When the shelf depth is increased by increments of 12.5 mm greater than 150mm, add 25mm to the 700mm minimum clearance.

### **CLEARANCE TO SIDES OF FIRE**

Minimum width between vertical sides of combustible surround should not be less than 700mm provided fire is central to surround and sides do not project more than 150 mm. When vertical side forward projection is increased by 12.5 mm add 50 mm to inside width of surround.

N.B. When fire is fitted this provides a minimum side clearance of 100mm.

Care should be taken to prevent any damage being caused to surrounding soft furnishings or decoration, e.g. many embossed vinyl wall coverings may become discoloured if placed too close to the appliance.

### **VENTILATION**

In the **United Kingdom** no special ventilation bricks or vents are required into the room containing the appliance, provided normal adventitious room ventilation exists. The installer must satisfy this point by carrying out a mandatory spillage test.

In the **Republic of Ireland** permanent ventilation must comply with the rules in force

## **SECTION NINE To Install the Appliance**

### **EXAMINE FLUE / CHIMNEY**

Check that the flue/chimney conforms to the required specifications as previously stated. Examine the condition and carry out any remedial work. If the flue/chimney has been used for solid fuel or oil, it should be swept prior to appliance installation. A smoke test must be carried out to check that satisfactory smoke clearance has been established. If all the smoke is not drawn into the flue, pre-heat the flue with a blowtorch or similar and re-check. If there is any uncertainty examine for the cause and, if necessary, seek expert advice.

### **CONNECTING THE GAS SUPPLY**

Determine where the gas supply is to be connected to the appliance. This may be done from the front of the unit from either the left or right side, or a concealed fitting from the rear.

# PARAGON 2000 Xtra Installation Instructions

## SECTION NINE To Install the Appliance

### GAS CONCEALED CONNECTION

If the supply is to be a concealed connection it would be advisable to route 8mm O/D half hard copper tube to the rear right side of the fireplace opening, taking into account the requirements of BS 6891 1988 dealing with enclosed pipes. Form the tube so that it enters the fire via the blind grommet at the rear of the appliance. An 8mm restrictor elbow can be positioned under the burner assembly on the right-hand side connected to the gas supply pipe and its outlet connected to the gas appliance.

Note: pipework in the opening of the fireplace to the rear of the appliance must be suitably wrapped in accordance with the regulations.

### GAS CONNECTION FROM THE FRONT

Connections may be made from the front of the appliance from either the left or right in 8-mm diameter pipe. If a left-hand connection is required the tube should be routed behind the bezel plate under the gas control tap and onto the inlet elbow. The inlet elbows should be rotated to the required position. A suitable isolating cock should always be fitted in the supply feed to the fire to facilitate servicing.

### FIXING FIRE INTO OPENING

Remove the paper backing from the length of foam seal and stick it around the rear flange of fire. If a spacer is going to be used stick the second length (supplied with the spacer kit) around the rear face of the spacer unit, THE FOAM SEAL MUST BE POSITIONED TO ENSURE AN AIR TIGHT SEAL WHEN THE APPLIANCE IS FITTED.

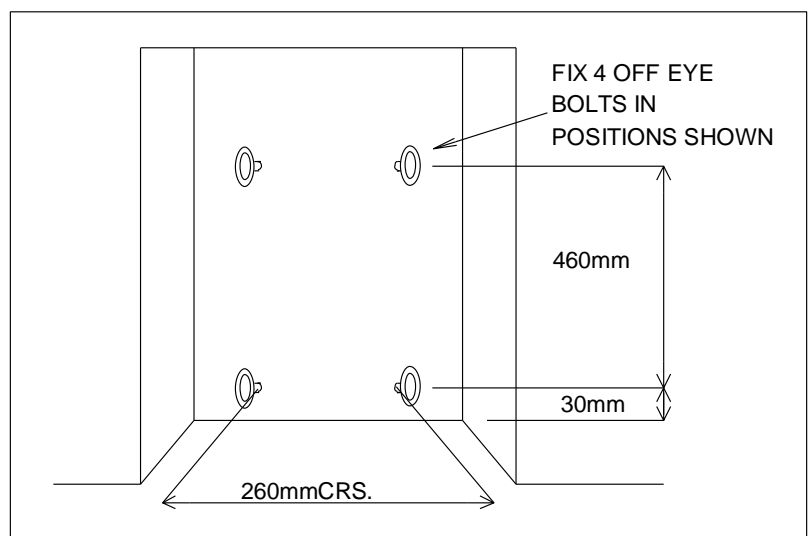
**NOTE: -DO NOT USE PERAMENT SEALING COMPOUNDS *i.e.* SILICON SEALANT. THIS COULD CAUSE THE APPLIANCE TO BE DAMAGED WHEN IT IS REMOVED FOR SERVICING, AND COULD INVALIDATE THE WARRENTY.**

If the spacer is not being used, mark position of flange hole in the fireplace front drill and fix firebox in position with wall plugs and wood screws. If spacer is being used fix the spacer to the fireplace first with wood screws and wall plugs then screw firebox to spacer box using screws provided.

### OPTIONAL CABLE FIXING SYSTEM (Available on request from PARAGON FIRES)

(for use when fixing to 18" openings or when it is desirable not to drill the fireplace fascia) it may **not** be possible to use the cable fixing system with some pre-cast flues.

Drill 4 holes in the rear of the fireplace opening in the position shown and fix securely the 4 eye bolt provided with suitable wall plugs

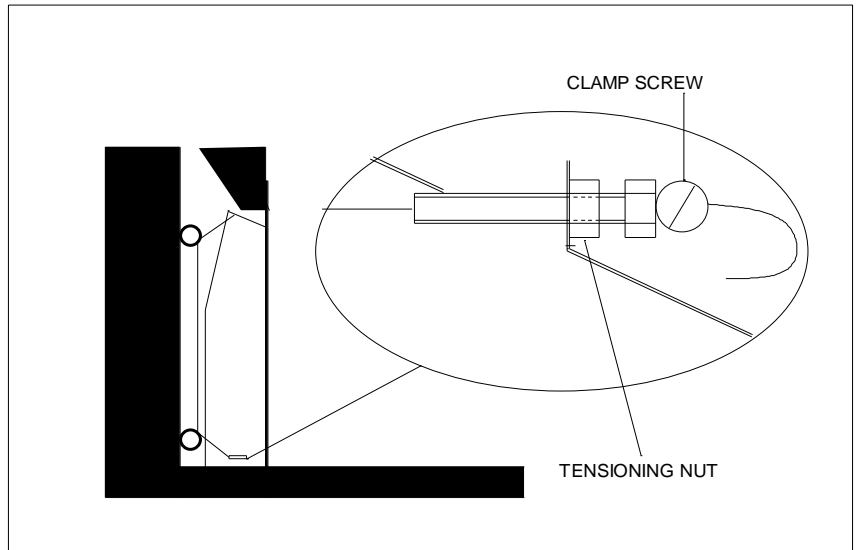


# PARAGON 2000 Xtra Installation Instructions

## SECTION NINE To Install the Appliance Continued

Fix the fire casing back into the opening using the cable fixing system as shown in do not cut off loose ends of cable after fixing, coil and tuck carefully behind sides of Refractory back

Note: when using the cable fixing kit with the spacer, fix and seal the spacer to the rear of the appliance flange with the screws and foam seal provided.



### CHECKING GAS SOUNDNESS

After completing the gas connection to the appliance, check for gas soundness in accordance with current codes of practice.

### FUEL BED LAYOUT

**Important: - Refer to the 'Health & Safety Notice located on page 3 of this booklet before cleaning or replacing any refractory material.**

Lay fuel bed as shown in the Users Section of these instructions.

ENSURE THE FUEL BED IS PLACED AS INDICATED IN THESE INSTRUCTIONS.

### CHECKING OPERATION OF FIRE

Remove the screw from the pressure test point on the inlet elbow and fit pressure gauge. Turn on gas the appliance. Purge the air from the appliance by rotating the control to the ignition position, push in to allow the air in the pipework to be purged and the piezo to ignite the pilot. Check that the electrode is sparking at the gap between the thermocouple tip and the electrode, continue until pilot ignition is established. Depress the control knob

slightly and rotate anti-clockwise until the index symbol is aligned with the "D" on the indicator label, release and allow the appliance to run for a period of approximately 5 minutes. Check the inlet pressure is  $20 \pm 1$  mbar for Natural Gas (G20)

### CHECKING PRODUCT CLEARANCE

Check for satisfactory clearance of combustion products. Close all doors and windows and leave fire burning for 5 minutes. Then position a smoke match just into the top of the fire opening and move it left and right, all the smoke must be drawn into the flue. If spillage occurs, allow a further 5 minutes. Should spillage still occur, remove appliance restrictor plate if still fitted and repeat spillage test. If spillage still occurs turn off the fire and seek expert advice.

# **PARAGON 2000 Xtra Installation Instructions**

## **SECTION NINE To Install the Appliance Continued**

If an extractor fan is situated in the room this test should be repeated with the fan running. If there is a connected room with an extractor fan, the test should be repeated with all the doors to that room opened and the extractor fan running.

### **COMPLETION OF INSTALLATION**

Fit the decorative trim with the four magnetic strips placed two on each vertical side flange of the firebox - one at the top and one at the bottom. Offer the decorative trim up squarely and centrally and push back into position.

Position a suitable fire fret up to the front of the appliance ensuring that it meets the specification referred to earlier.

Demonstrate the lighting and extinguishing procedures to the user and the removal and refitting of the decorative trim and fret for cleaning.

### **ADVISE CUSTOMER THAT:**

- ❖ This appliance has a naked flame, as with all such fires it is recommended that a fireguard should be used for the protection of children, the elderly and infirm. Fireguards should conform to BS 6539 (1984) (Fireguards for use with solid fuel appliances).
- ❖ The curing effect of heating the fuel bed and other Refractory components will cause an initial odour. This is due to the starch used in the manufacturing process and is non-toxic.
- ❖ Any debris should be cleaned from the appliance. A vacuum cleaner can be used but only after all the loose components have been removed. The appliance should be serviced annually by a competent person in accordance with these instructions and the appliance checked for spillage in accordance with the method detailed in these instructions.

Hand these instructions over to the user.

## **SECTION TEN Maintenance Instructions**

### **GENERAL**

Servicing should be carried out annually by a competent person such as a Gas Safe registered person in accordance with the current Gas Safety (Installation and Use) Regulations 1998 (as amended), this should ensure the safe and correct operation of the appliance.

Before commencing any service or replacement of parts, turn off the gas supply to the fire. After servicing check for gas soundness.

When ordering spare parts please quote appliance name and serial number, these can be found on the data badge, which is located by removing the decorative trim fret.

At least once a year, check for debris in the catchment area behind the fire and in the flue way.

If soot has accumulated check, to establish cause, rectify and clean flue or chimney accordingly.



# PARAGON2000 Xtra Maintenance Instructions

## SECTION TEN Maintenance Instructions continued

### FUEL BED CLEANING

**Important:** - *Refer to the 'Health & Safety Notice located on page 3 of this booklet before cleaning or replacing any refractory material.*

The fuel bed components are delicate and they should be handled with great care. The loose parts and moulded shapes may be removed for cleaning. They can be brushed very gently with a soft brush to remove dust or any deposits. A vacuum cleaner may only be used after the loose components have been removed.

Examine the fuel bed components for signs of cracking and replace if necessary. (IMPORTANT) see fuel bed layout procedure before attempting to replace loose fuel bed components, which should only be replaced as a complete set with no extra components being added.

### PILOT LINTING

Check pilot aeration holes for linting, use a vacuum cleaner nozzle taking care not to damage the pilot head

### REPLACEMENT OF GAS CONTROL TAP

1. Turn off the gas supply by isolating cock.
2. Lift away carefully fire fret.
3. Lift away carefully all loose fuel bed components.
4. Lift away carefully both Left-hand and right-hand front matrix.
5. Lift away carefully rear matrix.
6. Remove plastic knob from gas control tap.
7. Undo and remove four screws from bezel plate at front of appliance.
8. Lift away bezel plate.
9. Disconnect gas supply from inlet elbow of appliance (right of gas control tap)
10. Undo and remove two screws securing the main coal support.
11. Lift away from the main casing the appliance engine.
12. Disconnect the three compression gas connections from the gas control tap.
13. Remove the ignition lead carefully from the ignitor on the gas control tap.
14. Undo the thermocouple connection from the rear of the gas control tap.
15. Service or replace gas control tap as necessary.
16. Re-assemble in the reverse order.
17. Turn on the gas supply, check for soundness and re commission appliance.

### REPLACEMENT OF BURNER AND OR THE SILENCER

**NOTE:** The silencer must not be modified and must be correctly positioned in its bracket.

1. Repeat operations 1-11 for removal of gas control tap.
2. Undo the two screws securing the burner in the top of the main coal support and remove burner and silencer.
3. Clean, service or replace as necessary.
4. Re-assemble in reverse order.
5. Turn on gas supply, check for gas soundness and re- commission appliance.

# **PARAGON2000Xtra Maintenance Instructions**

## **SECTION TEN Maintenance Instructions Continued**

### **REPLACEMENT OF INJECTOR**

1. Repeat operations 1-2 for removal of burner and or silencer.
2. Disconnect gas connection to injector and gas control tap.
3. Unscrew the locking nut fixing injector to mounting bracket.
4. Clean or replace as necessary.
5. Re-assemble in reverse order.
6. Turn on gas supply, check for gas soundness and re- commission appliance.

### **REPLACEMENT OF OXY-PILOT ASSEMBLY**

**NOTE:** If the pilot assembly is replaced it must be replaced by an identical unit from the same manufacturer and replaced as a complete unit.

1. Repeat operations 1-11 for removal of gas control tap.
2. Disconnect the thermocouple from the gas control tap.
3. Disconnect the gas connection from the pilot assembly.
4. Remove ignitor lead from pilot assembly.
5. Undo the two screws securing the oxy-pilot to the burner.
6. Re-assemble the in reverse order.
7. Turn on the gas supply, check for gas soundness and re-commission appliance.

## ***Paragon Fires***

Telford  
Shropshire  
TF3 3AR

**Telephone 01952 200 444**

Web Site [www.paragonfires.co.uk](http://www.paragonfires.co.uk)

**PARAGON 2000 Xtra**

**THIS IS YOUR EXTENDED FIVE YEAR PARTS  
WARRANTY**

**PLEASE READ IT CAREFULLY AND ENSURE YOUR INSTALLER HAS FILLED IN THE FIRST PORTION, KEEP IT IN A SAFE PLACE SO THAT IT IS AVAILABLE WHEN YOUR GAS SAFE ENGINEER CARRIES OUT THE ANNUAL SERVICE.**

**THIS IN NO WAY REDUCES YOUR STATUTORY RIGHTS**

**THE WARRANTY COMMENCES FROM THE DATE OF PURCHASE YOU MUST RETAIN YOUR RECEIPT OR INVOICE AS PROOF OF PURCHASE. THIS EXTENDED WARRANTY SPECIFICALLY EXCLUDES SOFT REFRACTORY COMPONENTS, THE BULB AND ANY BATTERIES.**

Terms and Conditions

1. The appliance must be installed by a GAS SAFE registered person.
2. The appliance must be used in accordance with the users instructions.
3. The appliance must be serviced annually by a GAS SAFE registered person.
4. The service log must be correctly filled out and the record of annual services must be up to date and supported by receipts in each case.
5. This warranty is not transferable and relates to the original installation only.
6. The Registration Form must be correctly filled out and returned.
7. The appliance has not been subjected to misuse or accident or been modified or repaired by any person other than the authorised employee or authorised representative of Charlton and Jenrick Ltd.
8. The registration form must be returned within 3 months of purchase.

**PARAGON HEL PDESK NUMBER 0845 5195991**

# WARRANTY COVER

## Important

For future reference we suggest you record the following details here, and keep the receipt as proof of purchase. This information may be asked for when you contact the helpdesk.

**Model:** **2000 Xtra**

**Serial No.**

--	--	--	--	--	--	--	--	--	--

This information can be found on the label attached to the packaging and on the data badge, which is located on the appliance flange, top right behind trim.

**Retailer Name:**

---

**Address:**

---

---

---

**Date of Purchase:**

--	--	--	--	--	--	--

## **Service Log**

The following information must be complete and supported by receipts as part of the conditions of the extended three year parts warranty and the appliance must be registered by completing and returning the registration document (last page of this booklet) to Paragon Fires.

Date of First annual service:

Engineer Name \_\_\_\_\_

Gas Safe Registration No.

Date of Second annual service:

Engineer Name \_\_\_\_\_

Gas Safe Registration No.

Date of Third annual service:

Engineer Name \_\_\_\_\_

Gas Safe Registration No.

Date of Fourth annual service:

Engineer Name \_\_\_\_\_

Gas Safe Registration No.

We may introduce modifications to products from time to time, and consequently the details given in this booklet are subject to alteration without notice.

## ***Paragon Fires***

Telford  
Shropshire  
TF3 3AR

Telephone 0845 5195991

Web Site [www.paragonfires.co.uk](http://www.paragonfires.co.uk)



**PLEASE REGISTER YOUR 12 MONTH WARRANTY WITH US TODAY**

Simply detach this sheet from this booklet, complete and return it in a stamped addressed envelope to:

**PARAGON FIRES**

Charlton and Jenrick Ltd  
UNIT D  
STAFFORD PARK 2  
TELFORD  
SHROPSHIRE  
TF3 3AR

**YOUR DETAILS**

**Name** \_\_\_\_\_

**Address** \_\_\_\_\_

\_\_\_\_\_

\_\_\_\_\_

**Post Code**

**TELEPHONE No.**

**PRODUCT DETAILS**

**Model:** **2000 Xtra** **Serial No.**

**Date of Purchase**

This information can be found on the label attached to the packaging and on the data badge, which is located on the appliance flange, top right behind trim.

**WHERE DID YOU PURCHASE THIS PRODUCT**

**Name** \_\_\_\_\_

**Address** \_\_\_\_\_

\_\_\_\_\_

\_\_\_\_\_

**Post Code**

**TELEPHONE No.**

**2000 Xtra Packing – Coal**

<b>Product ID</b>	<b>A-0316</b>	<b>Serial No</b>	<b>JE (NG)</b>
<b>Label</b>		<b>Prefix</b>	

<b>Burner Tray / Box Assembly</b>	
<b>Ceramics Set (Part no 5568)</b>	
<b>Fixing kit (0705) (includes 4 magnets &amp; foam seal)</b>	
<b>Foam Sealing Strip</b>	
<b>Restrictor Elbow</b>	
<b>Canopy (Part No 5003)</b>	
<b>Magnets</b>	
<b>Owners Book</b>	
<b>Warranty Card</b>	
<b>Warning Label</b>	
<b>Serial Number</b>	
<b>Inspector</b>	