



P 7

**OWNER MANUAL
INCLUDES
USER INSTRUCTION
&
INSTALLATION & MAINTENANCE
INSTRUCTIONS**

Please read these instructions carefully before you start installing or using this appliance

Keep this booklet handy for future reference

**This appliance is
for use in Great Britain or
IRELAND only**

**Paragon Fires
Charlton & Jenrick LTD
Telford
Shropshire
TF3 3AR**

CONTENTS

PAGE**USERS INSTRUCTIONS****SECTION ONE Introduction**

Consumer Protection Information.....	3
Health & Safety Notice.....	3
Introduction.....	3
Important Information.....	4

SECTION TWO Operating Appliance

Lighting the Appliance.....	5
Replacing Hand Set Battery.....	6
Replacing Appliance Battery.....	6

SECTION THREE Cleaning

Cleaning Pilot Assembly.....	7
------------------------------	---

SECTION FOUR Fuel Bed Cleaning & Layout

Cleaning Fuel Bed.....	7
Log Fuel Bed Layout.....	8

SECTION FIVE General Points

11

INSTALLATION INSTRUCTIONS**SECTION SIX Appliance Data**

12

SECTION SEVEN Regulations and Warnings

13

SECTION EIGHT Siting the Appliance

Flue (Class1).....	14
--------------------	----

SECTION NINE To Install Appliance

Checking the Flue and Fire Opening.....	15
Gas Supply Routing.....	15

SECTION TEN Checking Fire Operation

Check Gas soundness.....	17
Checking Product Clearance.....	18
Advice To Customer.....	18

MAINTENANCE INSTRUCTIONS**SECTION ELEVEN Maintenance**

General.....	19
Pilot Linting.....	19
To remove the burner tray.....	19
Replacement of gas control.....	19
Replacement of injectors.....	19
Replacement of Oxy-pilot assembly.....	20
Replacement of Control Unit (EDB).....	20

P7 Users Instructions

SECTION ONE Introduction

Consumer Protection Information

As manufacturers and suppliers of heating products, we take every care, as far as is reasonably practicable, that these products are so designed and constructed as to meet the general safety requirement when properly used and installed. To this end, our products are thoroughly tested and examined before despatch.

IMPORTANT NOTICE: Any alteration that is not approved by the appliance manufacturer could invalidate the approval of the appliance, operation of the warranty and could affect your statutory rights.

Health and Safety Notice

Important

This appliance could contain some of the materials, indicated below, that could be interpreted as being injurious to health and safety. It is the users / installers responsibility to ensure that the necessary personal protective clothing is worn when handling these materials, see below for information.

Artificial Fuels, Mineral Wool, Insulation Material, Refractory/Ceramic Fibres, Glass Yarn - may be harmful if inhaled, may be irritating to skin, eyes, nose and throat.

When handling *avoid inhaling and contact with skin or eyes. Use disposable gloves, facemasks and eye protection. After handling wash hands and other exposed parts. If a vacuum is used for cleaning the coals or cleaning after servicing / installation it is recommended that it be of the type fitted with a HEPA filter.*

Disposal of refractory/ceramic materials. To keep dust to a minimum these materials should be securely wrapped in polythene and be clearly labelled 'RCF waste'. These materials are not classified as 'hazardous waste and should be disposed of at a site licensed for the disposal of industrial waste.

INTRODUCTION

- The P7 as been designed and tested to the requirements of EN 509 and is suitable for use in GB (Great Britain) and IE (Ireland).
- The P7 incorporates a single gas control, which selects ignition pilot, with variable setting between low and high settings and is operated via remote control. The system is powered by a battery pack; therefore no mains electrical supply is required.
- Like all appliances incorporating an aerated burner a low frequency noise may be heard, this may be more noticeable on the low setting.
- The P7 incorporates a safety device in the form of an Oxygen Depletion System, which constantly monitors the oxygen in the room and will cause the fire to switch off if the oxygen level reduces, for instance due to insufficient ventilation or a blocked flue.
If this regularly occurs do not attempt to relight the appliance until a qualified engineer has checked it, the problem may not be due to lack of air or a defective flue.
- The pilot can be left on (standby setting) or the pilot can be extinguished and relit each time the fire is used.

P7 Users Instructions

SECTION ONE Introduction Continued

The P7 is battery operated; therefore no mains electrical supply is required. Power to the appliance is provided by 6 high power alkaline 1.5V batteries (AA size) (a spare set of 6 AA batteries is supplied with the appliance).

If you hear a repeated 'bleep' sound come from the appliance this indicates the appliance battery pack is low and should be changed. If this is ignored the system will go into a lock out mode, which will not allow the appliance to be use until a new set of batteries are loaded. (See Page 6)

IMPORTANT INFORMATION

- The appliance is for use on Natural Gas G20 @ 20mbar only.
- The chimney or flue (unless new or previously used with a gas appliance) shall be swept before installation if it has been used for solid fuel.
- Failure to install appliance correctly could lead to prosecution.
In GB (Great Britain), the appliance must be installed by a competent person i.e. GAS SAFE-registered, in accordance with the GAS SAFETY (INSTALLATION AND USE) REGULATIONS, The Building Regulations (or The Building Regulations (Scotland) or The Building Regulations (Northern Ireland)) and The Current I.E.E. Wiring Regulations, if appropriate.
In IE (Ireland), the appliance must be installed by a competent person and installed in accordance with the current edition of I.S.813 Domestic Gas Installation, the current Building Regulations and the current ETCI rules for electrical installation, if appropriate.
- A fireguard conforming to BS6539 (1997) must be used to protect young children, the elderly or infirm.
- During initial firing, an odour may be evident. This is the starch binder used during the manufacture of the fibre components of the fire, and there are **no harmful** effects produced.
- During the normal operation of the fire some black staining may appear on some parts of the fuel bed. This is quite normal and adds to the appearance of the appliance. However, if excessive black staining does occur it may be due to the fuel bed being incorrectly laid. This should be checked prior to contacting a service engineer.

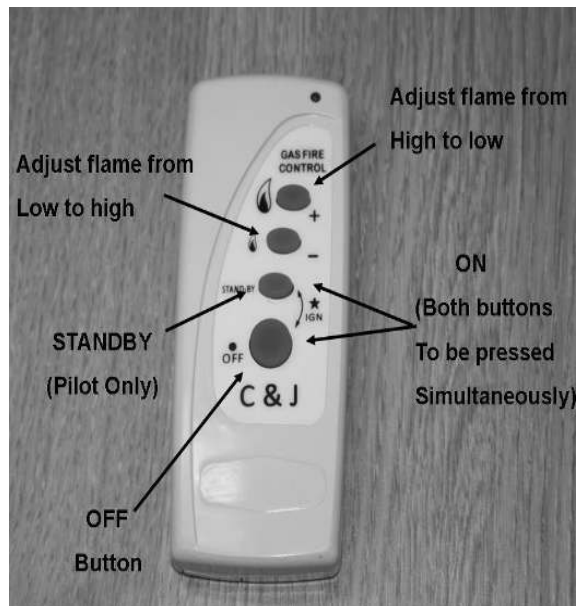
P7 Users Instructions





SECTION ONE Operating Appliance

Before attempting to operate the appliance check that nothing has been placed in front of the appliance that may interfere with the remote sensor operation.

To light the appliance using the remote hand set:

- a. Point the remote control hand set in the direction of the appliance and simultaneously press the buttons marked '● off' and 'standby'. Continue to hold in these two buttons until a 'bleep' is heard (approximately 2-3 sec.) and then release these buttons. The appliance will automatically go through the ignition sequence producing and the pilot should ignite. Once the pilot is alight the appliance will automatically go to the high setting (approximately 20-25sec). If the ignitor stops sparking and the pilot fails to light, repeat this procedure.



- b. If the ignitor stops sparking and the pilot fails to light press the ● button before repeating this procedure.
- c. The appliance can be adjusted up or down by pressing the appropriate button  (low setting) or  (high setting). These buttons have a dual function. If they are pressed until a 'bleep' is heard and then released immediately the appliance will automatically go to the maximum  or minimum settings . On the other hand if the button is not released, gradual adjustment is made until the button is released or until the maximum or minimum setting is reached.
- d. To switch off the appliance press the ● button or if the appliance is to be switch off for a short period it is recommended that the 'standby' button be used. This switches the main burner off but leaves the pilot on and will extend battery life.
- e. The appliance can be switch off without using the hand set by removing the appliance batteries located behind the ash pan cover. When the batteries are removed there will be a delay (up 3minutes) after which double bleeps may be heard and shortly after the appliance will extinguish. Ensure that the battery is reconnect once the fire as been extinguished. The appliance cannot be operated without the use of the handset.

NOTE: If the fire is extinguished for any reason wait 3 minutes before relighting.

P7 Users Instructions

SECTION ONE Operating Appliance Continued

LOW BATTERY INDICATION (HAND

SET) If while pressing any of the buttons on remote hand set the low battery indicator either stops flashing or appreciably then the battery should be changed.

TO REPLACE BATTERY IN HAND SET SIZE 2X1.5V AAA)

Remove the cover from the rear of the and fit replacement battery. Take care stain the battery connections.

LOW BATTERY INDICATION (APPLIANCE)

If you hear a repeated 'bleep' sound from the appliance this indicates the appliance battery pack is low and should be changed as soon as possible. The appliance will continue to work normally for a short period but if the warning is ignored you may experience difficulty lighting the appliance or the appliance may automatically switch off for no apparent reason.

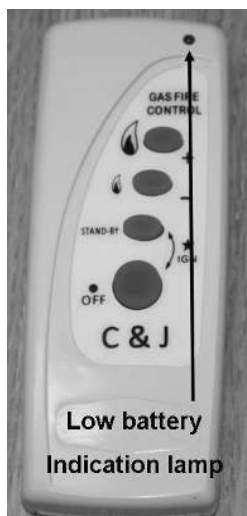
NOTE: The appliance cannot be used when the battery is completely flat.

TO REPLACE APPLIANCE BATTERIES (6 High Power Alkaline AA 1.5V)

(Rechargeable batteries can be used providing they are a nickel metal hydride type 1.5V AA with a minimum capacity of 2200mAh).

(A long life lithium battery is available as an optional extra call the number shown on the last page of these instructions for further information).

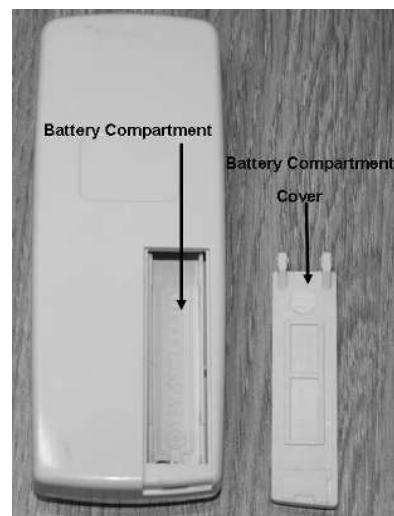
- Lift off the outer trim or Inlet Cover
- The battery power pack holder is located on the right hand side on the base of the Firebox or within the fireplace frame assembly. **WARNING, batteries will overheat if fitted incorrectly, when fitting the batteries ensure that they are fitted as per the marking on the rear of the holder (i.e. minus of battery against spring).** If rechargeable batteries are used they MUST be a Nickel Metal Hydride type with a minimum capacity of 2200mAh.
- If the appliance is fitted with the special lithium battery (optional) disconnect the wires at the battery connector and replace ensuring the connection is made correctly.
- Important:** Place the battery pack or holder inside the insulation blanket and ensure that it is placed to the left hand side of the appliance as shown and refit fret and ash pan cover. (Illustration shows lithium battery without insulation sleeve.)
- Once the new batteries are loaded the fire will continue to bleep until re-set. This can be done by pressing the "off " button on the handset followed by the normal ignition sequence as above. If the fire continues to bleep this may indicate a loose connection or badly loaded batteries.



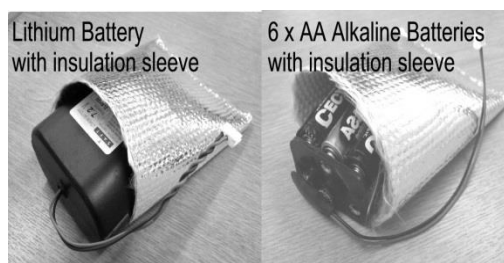
SET) the lamp slows

(9V

handset not to



come



P7 Users Instructions

SECTION THREE Cleaning

Warning: -

Before you clean any part of the appliance ensure that the appliance is turned off and cold.

CLEANING: PILOT ASSEMBLY (With Fireplace frame fitted)

(Before cleaning ensure that the appliance is turned off and cold)

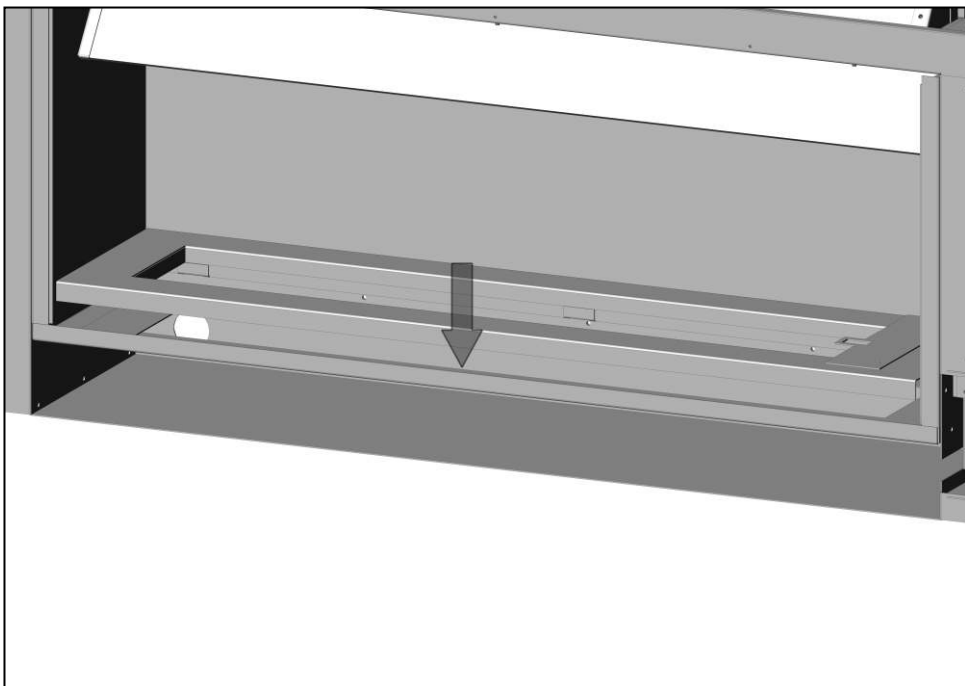
In some instances you may experience ignition problems even when the appliance is new. This may be due to the aeration hole in the pilot body being partial blocked with dust, pet hairs, or other foreign matter. The source of this debris could be such things as carpet fibres, decorating or pet etc.

To gain access to the pilot please do the following.

- Remove the log fuel bed shapes and bark shapes.
- Lift out the air tray assembly from the location points within the shelf.

The pilot is located on the right hand side of the appliance, any debris in or around the aeration hole should be removed using the nozzle of a vacuum cleaner. It is advisable not to blow the debris into the hole as this may cause more of a restriction and not rectify the problem.

Note: - Take care when cleaning in this area so as not to damage the pilot assembly.



P7 Users Instructions

SECTION FOUR Fuel Bed Cleaning and Layout

- Before you clean any part of the appliance ensures that the appliance is turned off and cold.
- Use only the fuel bed components provided and no additional parts must added.

Important: - Refer to the 'Health & Safety Notice located on page 3 of this booklet before cleaning or replacing any refractory material.

- The fuel bed components are delicate and they should be handled with great care.
- The moulded shapes may be removed for cleaning. They can be brushed very gently with a soft brush to remove dust or any deposits.
- A vacuum cleaner may only be used after the loose components and moulded shapes have been removed.

CARE SHOULD BE TAKEN TO AVOID CONTACT WITH THE REFRACTORY LINING THIS IS A DELICATE SURFACE AND SHOULD **NOT BE WIPED OR RUBBED.**

It is important that all the fuel bed moulded shapes are positioned as shown in these instructions.

P7 Users Instructions

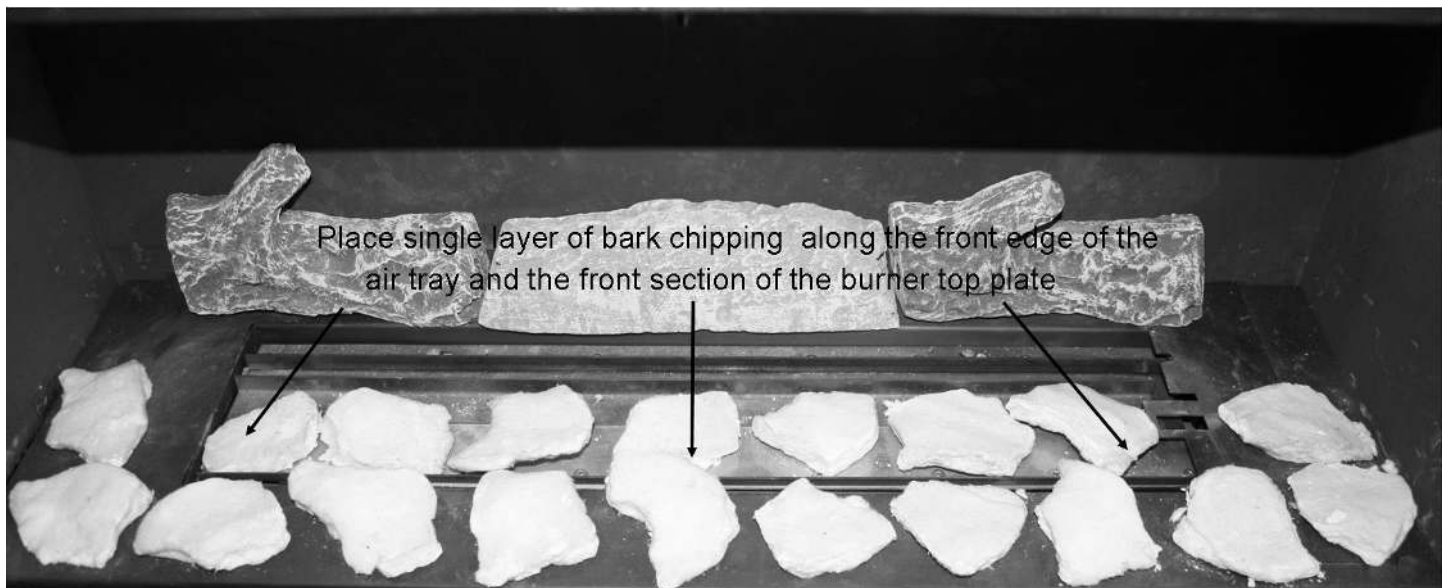
SECTION FOUR Fuel Bed Cleaning and Layout

Log Fuel bed

- Place air tray within burner shelf assembly. Place three of the log shapes along the back edge of the air tray assembly as shown.



- Place single layer of large bark chippings as shown.



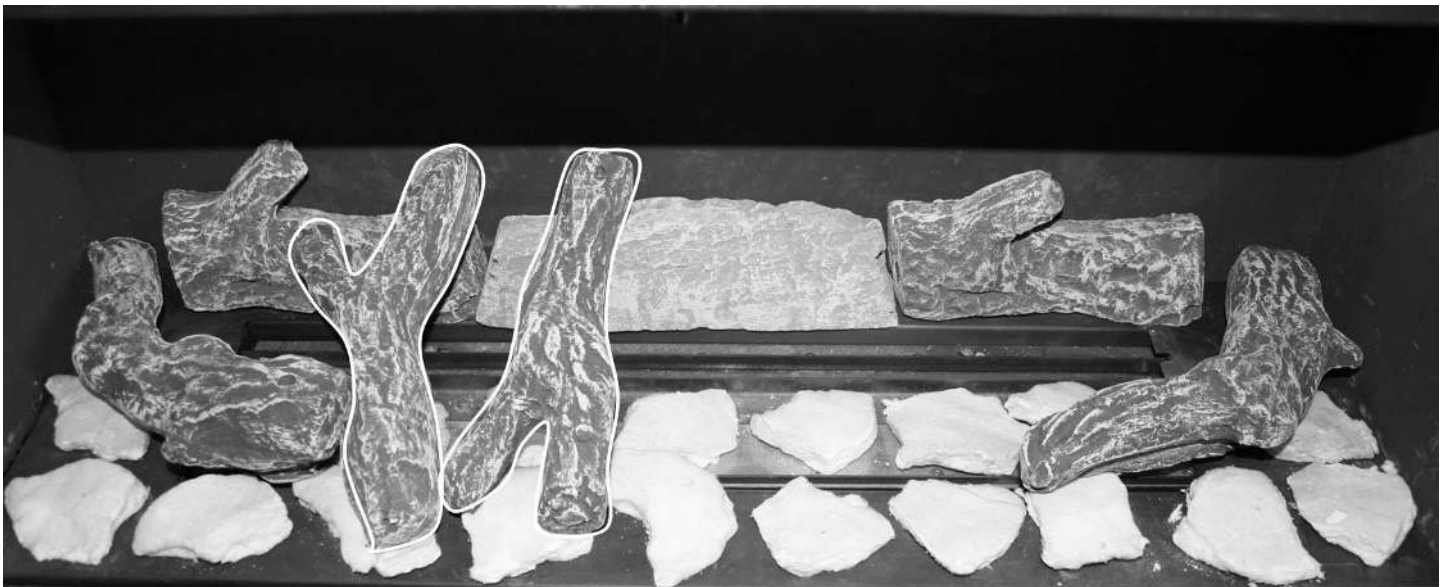
P7 Users Instructions

SECTION FOUR Fuel Bed Cleaning and Layout

- Place two log shapes as shown.



- Place two log shapes as shown.



P7 Users Instructions

SECTION FOUR Fuel Bed Cleaning and Layout

- Place two log shapes as shown.



- Place two Log shapes as shown.



P7 Users Instructions

SECTION FIVE General Points

Like all appliances incorporating an aerated burner a low frequency noise may be heard, particularly on the low setting, this is quite normal and does not affect the operation of the appliance.

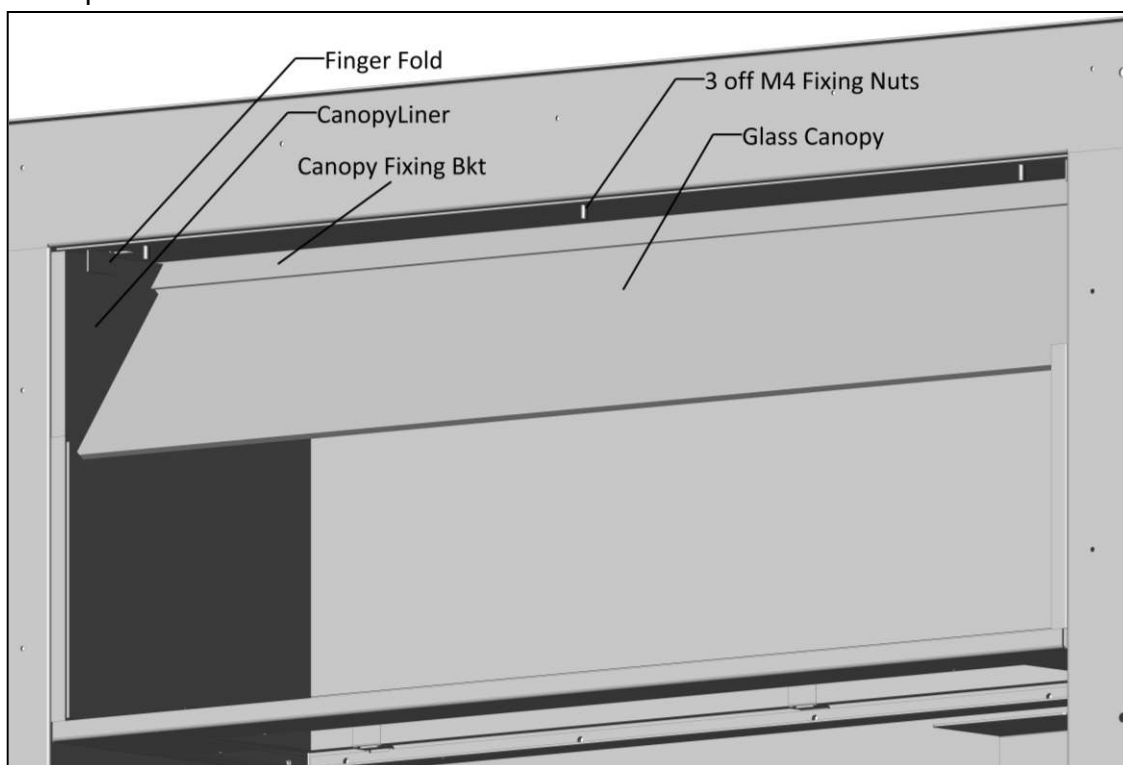
It is advised that a competent person service the P7 fire annually. The fire is more likely to provide trouble-free operation.

Dulling and slight discoloration inside the firebox will occur adding to the realism of the appliance. This is normal.

It is important that: -

The chimney or flue is checked annually to ensure clearance of combustion products. This can be inspected by removing the Flue Adaptor Assembly from the top of the fire box assembly.

- Remove the log fuel bed shapes.
- Remove the inner fascia and out trim at this stage. (Four Sided Trim Option)
- Bend down the finger folds LH & RH hand side located within glass canopy fixing bracket.
- Very carefully remove the canopy side liners LH and RH.
- Remove the three M4 nuts retaining the glass canopy fixing bracket. Pull the bracket down to clear the fixing pins and remove.
- Remove the glass canopy from within its location.
- At this stage remove the three further M4 nuts at the rear of the flue adaptor assembly and carefully remove the Fire Box roof.
- With the adaptor removed, the flue catchment area and flue outlet can be inspected. A mirror will be required to check catchment area at the of the fire box.



P7 Installation Instructions

SECTION SIX Appliance Data

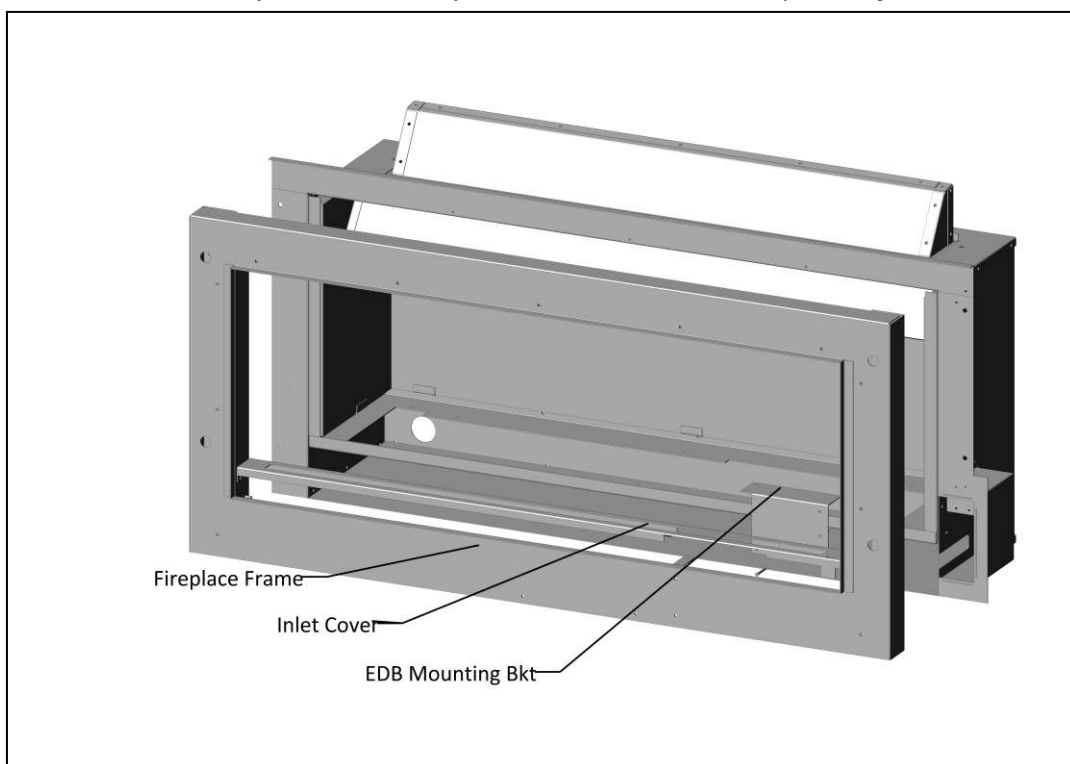
NATURAL GAS
Gas Type:.....CATEGORY I 2 H
Gas Pressure:.....20 mbar +/- 1.0mbar
Pressure Test Point Location:.....Gas inlet elbow
Gas Input:.....7.0 kW Gross (Max.)
.....2.4 kW Gross (Min.)
Injectors:.....Mk 460
Oxy pilot:.....9079 N.G.

Gas Connection:.....8mm compression: semi-rigid or rigid
Data Badge Location:.....Located on the base of the appliance on the L/H side beneath the grill.
Battery Remote handset
.....2 x 1.5 AAA
.....Appliance 6 x 1.5V AA high power alkaline.

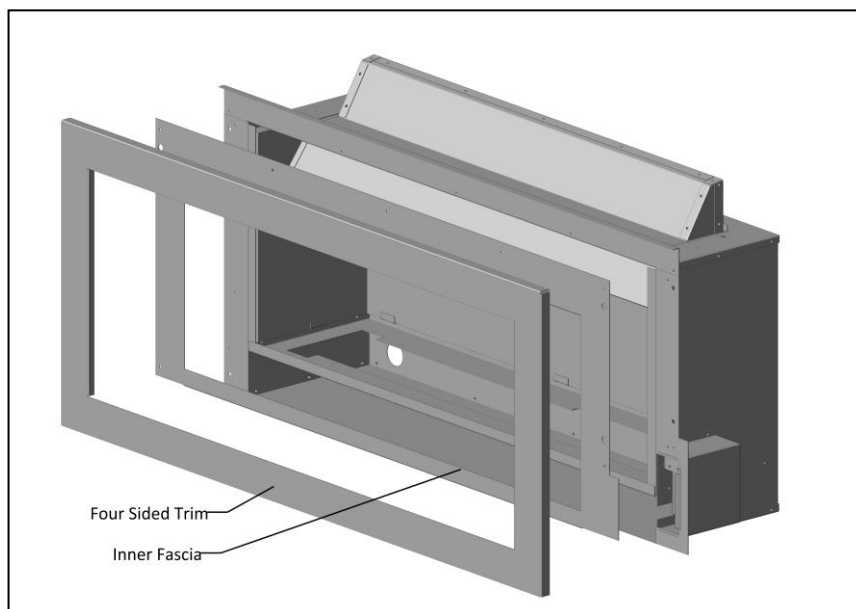
Appliance Dimension

NOTE: The efficiency of this appliance has been measured as specified in BS7977-1 2009+A1 : 2013 and the result is 60.2 %. The gross calorific value of the fuel has been used for this efficiency calculation. Gastec have certified the test data from which it has been calculated. The efficiency value may be used in the UK Government's Standard Assessment Procedure (SAP) for energy rating of dwellings. **Please note:** Within the appliance packaging will be a outlet restrictor, this is there to achieve the maximum efficiency. This, however, may not be fitted due to the flue underperforming.

Fireplace Frame Option



Four Sided Trim Option



P7 Installation Instructions

SECTION SEVEN Regulations and Warnings

- This appliance must only be installed in Great Britain or Ireland.
- The appliance is suitable for use on natural gas only.
- **GB (Great Britain)** This fire does not normally require purpose built ventilation.
- **IE (Ireland)** Permanent ventilation must comply with the current edition of IS813.
- **In GB, (Great Britain)**

It is the law that all gas appliances must be installed by a competent person; i.e. a GAS SAFE registered installer, in accordance with the Current Gas Safety (Installation And Use) Regulations (as amended), all relevant parts of the local and national building regulations and all relevant recommendations of the following British Standards. Failure to do so could lead to prosecution.

The following are relevant codes of practice and British Standards: -

B.S. 5871

B.S. 5440 PART 1 & PART 2

B.S. 6891

This appliance must be installed to current versions of the above standards and include any relevant amendments to:-

The Building Regulations Issued By The Department Of The Environment.

The Building Standards (Scotland) (Consolidated) Regulations Issued By The Scottish Development Office.

- **IN IE, (Ireland)**

The appliance must be installed by a competent person and installed in accordance with the current edition of I.S.813 Domestic Gas Installation, the current building regulations, and the current ETCI rules for electrical installation, if appropriate.

- Prior to the installation ensure that the local distribution conditions (identification of type of gas and pressure) and adjustment of the appliance are compatible. G20@20mbar

WARNINGS

- The glass front of the fire act as a dress guard, conforming to BS 1945 (1971) and satisfies the heating appliance regulations (1991) However, a guard conforming to BS6539 (1984) must be used to protect young children, the elderly or infirm.
- **This appliance incorporates a safety device in the form of an Oxygen depletion system. IT MUST NOT BE ADJUSTED OR PUT OUT OF OPERATION! THIS IS A NON-SERVICABLE ITEM AND MUST BE EXCHANGED AS A COMPLETE ASSEMBLY; USING ONLY THE ORIGINAL MANUFACTURER'S PART.**
- A suitable proprietary fire surround with a 150°C minimum rating is required.
- During initial firing, an odour may be evident. This is the starch binder used during the manufacture of the fibre components of the fire, and there are **no harmful** effects produced.

- Care must be taken to prevent any damage being caused to surrounding soft furnishing or decoration; e.g. many embossed vinyl wall coverings may become discoloured if placed too close to the appliance.

P7 Installation Instructions

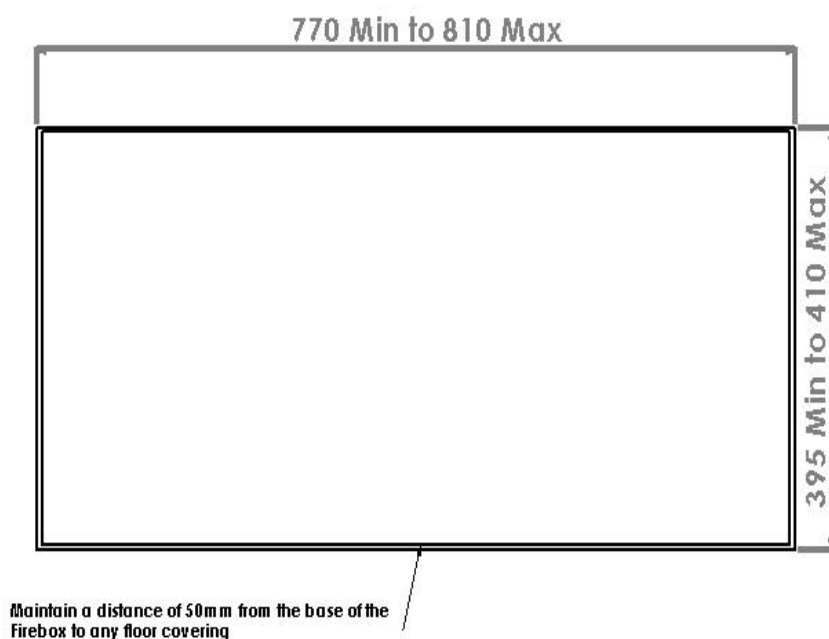
SECTION EIGHT Siting the Appliance

• CLASS ONE

That is a conventional brick or stone chimney as used for a solid fuel appliance with an effective cross-sectional dimension of 225 x 225 mm (9" x 9") or a lined flue with a minimum diameter of 125mm (5"). The chimney must have a minimum effective height of at least 3 metres. Any permanent flue restriction or variable dampers are to be removed or locked fully open. The chimney should be swept prior to installation if it has previously been used with solid fuel. This is not necessary if the flue has previously been used with a gas appliance or if it is a new installation.

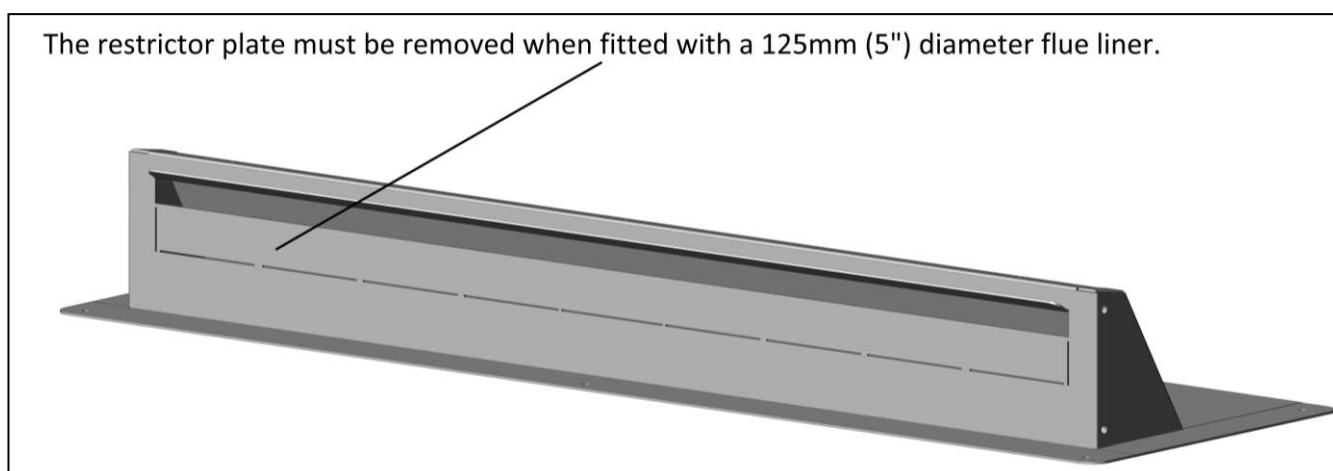
Note: A brick or stone chimney with a 125 mm (5 ins) minimum diameter flue liner conforming to BS 715 may be used. Provided a suitable sealing plate is fitted to the base of the liner and the appliance does not restrict the opening into the liner. Ensure a smooth lead into the flue way and no combustible materials are used. A void of 50mm must be maintained from the top of the firebox to gather into flue.

PREPARING THE OPENING FOR FIREPLACE FRAME AND FOUR SIDED FRAME INSTALLATIONS



A minimum depth of 330 mm must be obtained.

The front face and the base of the fire opening must be flat to ensure that a good seal is formed between the rear and base of the appliance and the chimney to avoid any reduction of natural draught.



P7 Installation Instructions

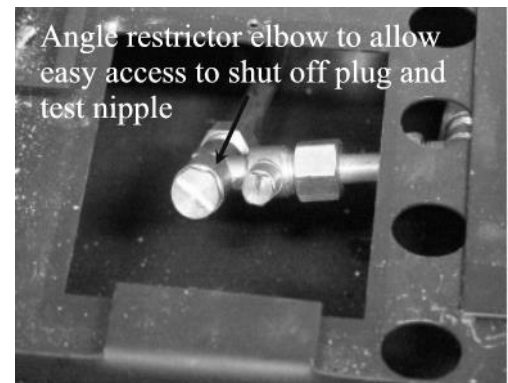
SECTION EIGHT Siting the Appliance Continued

CHECKING THE FLUE AND FIRE OPENING

- Check that the chimney conforms to the required specifications as previously stated. Examine the condition and carry out any remedial work including removing any debris from the base.
- If the flue has been used for solid fuel it should be swept prior to the installation
- Prior to installing the appliance a smoke test (using a smoke bomb) should be carried out to check that satisfactory smoke clearance has been established.
If all the smoke is not drawn into the flue, pre-heat the flue with a blowtorch or similar and re-check. If there is any uncertainty examine for the cause and, if necessary, seek expert advice.
No combustible material should be fitted inside the fireplace opening.
- When installing this appliance against a dry lined (plasterboard) wall ensure that any void between the plasterboard and the wall is sealed with a suitable non-combustible material (i.e. plaster or mortar).

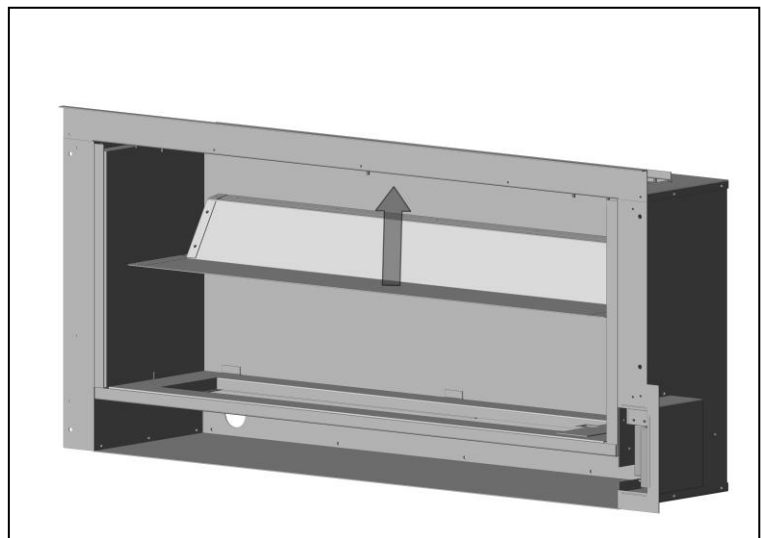
GAS SUPPLY ROUTING

Use rigid or semi – rigid tube to connect the supply. Determine the gas supply pipe route to the appliance before installing the fire.



Fixing Firebox Assembly

- Slide the firebox into the fireplace open guiding the gas supply pipe through the hole at the rear LH bottom of the firebox.
- Retain the Firebox using wall plugs and screw using the four holes within the firebox flange.
- Refit the grommet over the pipe and seal around the inlet hole.
- Remove the gas connection cover located within the burner
- The flue outlet hood can now be fitted into the top of the Firebox assembly and secured using the M4 nuts provided.
- Offer the glass canopy with the side liner cut outs.
- Canopy fixing bracket can now be fitted, secure the bracket using the three M4 studs position within the fire box top.
- Fit the canopy liners LH & RH and secure by bending down the finger folds with the canopy fixing bracket.
- Finally locate the Air tray assembly within the fire box shelf.
- Lay the fuel bed as described in section four.

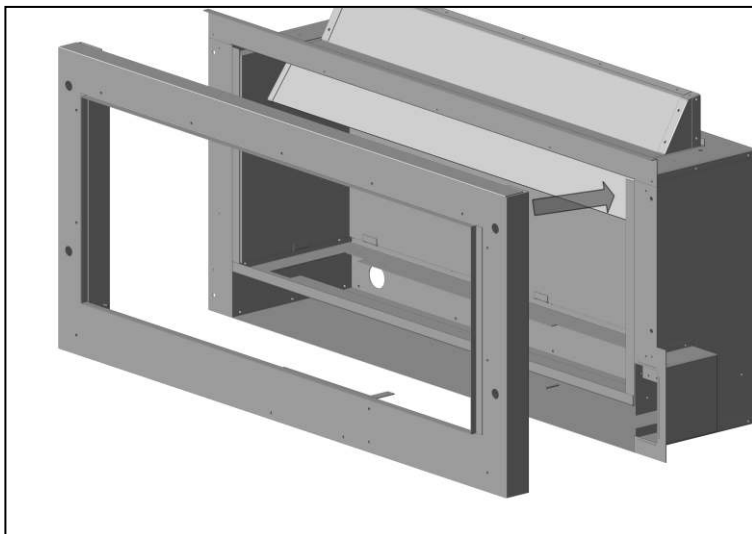


P7 Installation Instructions

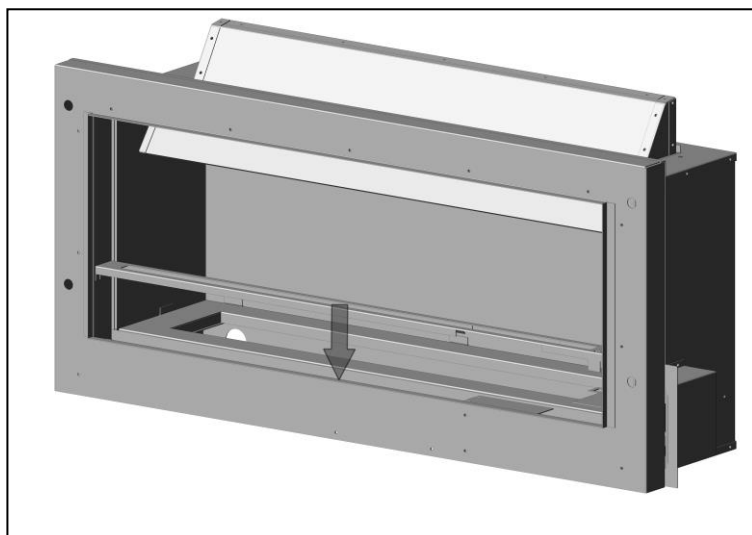
SECTION NINE To Install the Appliance continued

Fireplace Frame Option

- At this point the fireplace will need to be constructed.
- When using this method, the EDB unit will need to be removed from the fire box base and relocated using the bracket provided within the Fireplace frame assembly
- Offer the fireplace frame assembly up to the firebox and secure using the 4 off fixing screws provide
- Connect battery pack as described in section 2. (Operating the appliance). Locate the battery pack in the holder positioned within the fireplace frame.

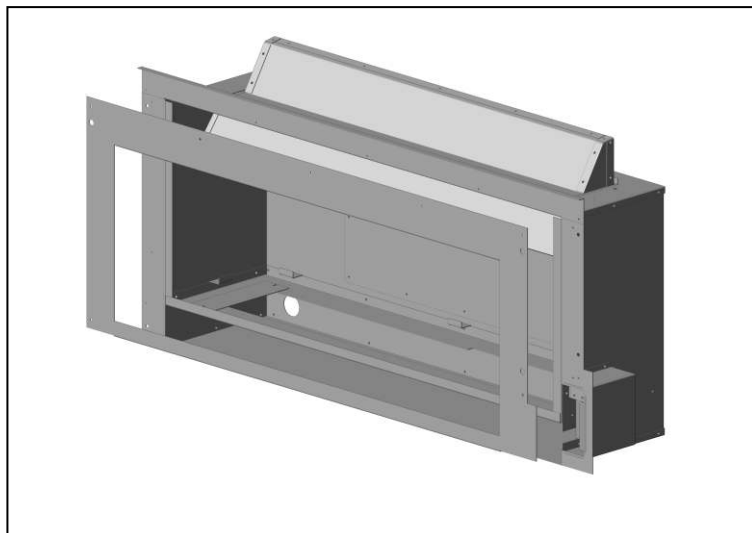


- Inset the inlet Cover within the fireplace frame.
- Operate the handset as described in section one.
- Lay the fuel bed as described in section four.



Four Sided Trim Option

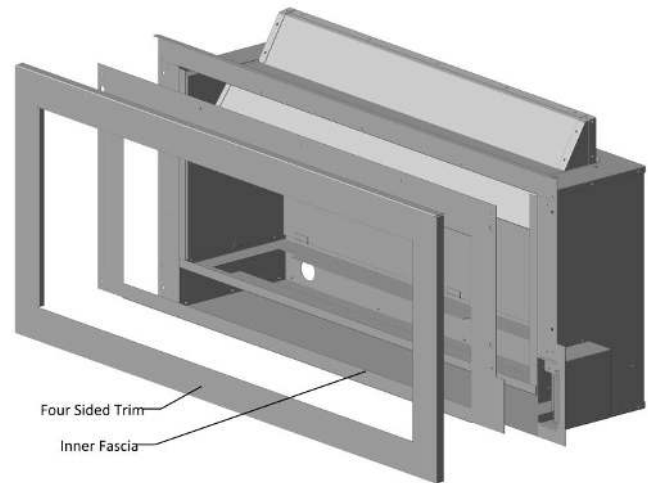
- Fit Air tray assembly and lay fuel bed as described in section four.
- Connect the battery pack as described in section one with the insulation sleeve provided. Place on the fire box base along the front edge on the left hand side.
- Offer the inner fascia and secure using the screws provided.



P7 Installation Instructions

SECTION NINE To Install the Appliance continued

- Position the loose magnet against the inner return of the four sided trim assembly.
- Offer the trim up against the firebox, with the top return of the trim rest upon the top of the fire box flange.



P7 Installation Instructions

SECTION NINE To Install the Appliance Continued

CHECKING GAS SOUNDNESS AND RUNNING PRESSURE.

- Turn on the gas supply to the appliance and check for soundness in accordance with current codes of practice.
- Turn off the gas supply at the external Isolation valve.
- Remove the pressure test point screw from the inlet elbow and connect the pressure gauge.
- Turn on the gas to the appliance at the Isolation valve.
- Light the appliance as described in section 2.
- Check the inlet pressure is 20mbar. +/- 1.0
- Turn off gas supply, at the isolation valve. Disconnect the pressure gauge and replace the pressure test point screw.
- Turn on the supply to the appliance and check the pressure test point for soundness with detection fluid.
- Refit the gas connection cover.
- Fit the air tray within the location with the burner shelf.

LAY FUEL BED

Important: -

Refer to the 'Heath & Safety Notice located on page 3 of this booklet before laying or replacing any refractory material. In the event of replacing fuel bed components please use only the specified number of components as illustrated. Only use fuel bed component provided for this appliance. In the interest of safety and efficiency of your appliance when replacing the fuel bed it is essential that the existing fuel bed be removed and the new components are replaced correctly as a complete set.

Lay fuel bed as described under Users Section.

Warning:

It is important that the fuel bed components are positioned as shown in these instructions. If the fuel bed components are not positioned correctly this may result in damage to the glass.

P7 Installation Instructions

SECTION TEN Checking Operation of Fire CHECKING FOR COMBUSTION PRODUCTS CLEARANCE

IMPORTANT:-The smoke test must be carried out with the fire starting from cold.

- Light the fire and leave at maximum input.
- Close all the doors and windows.
- After five minutes fit the smoke match in a holder and position as illustrated with the head of the match just inside the test opening.
- Run the match along the top edge **All smoke** must be drawn into the test opening if the clearance is satisfactory.
- If spillage occurs wait a further five minutes and repeat the test.
- Repeat the test with doors open and with any extractor fans in other rooms in operation.
- If spillage is detected the cause must be discovered and the fault corrected, if the fault cannot be corrected, disconnect the fire from the gas supply and seek expert advice. Spillage can be caused by a restriction in the flue system, down draught or insufficient ventilation into the room where the fire is installed.

ADVISE CUSTOMER THAT:

- The glass front of this fire acts as a dress guard, conforming to BS 1945 (1997) and satisfies the heating appliance regulations (1991) however; a fireguard conforming to BS6539 (1997) must be used to protect young children, the elderly, or infirm.
- The curing effect of heating the logs and other refractory components will cause an initial odour. This is due to the starch used in the manufacturing process and is non-toxic.
- Any debris should be cleaned from the appliance. A vacuum cleaner can be used but only after all the loose logs have been removed.
- The appliance should be serviced annually by a competent person in accordance with these instructions and the appliance checked for spillage in accordance with the method detailed in these instructions.
- Demonstrate changing the batteries.
- Demonstrate the lighting and extinguishing procedures to the user and the removal and refitting of the glass panel for cleaning. Refer to the user section of this booklet.
- If ventilation is fitted for any reason it must be checked regularly to ensure freedom from obstructions.
- **Hand these instructions over to the user along with the spare batteries and glass removal tool.**

P7 Maintenance Instructions

SECTION ELEVEN Maintenance

GENERAL

- Servicing should be carried out annually by a competent person such as a Gas safe-registered person in accordance with the relevant regulations, to ensure the safe and correct operation of the appliance.
- Before commencing any service or replacement of parts, turn off the gas supply to the fire. After servicing check for gas soundness.
- When ordering spare parts please quote appliance name and serial number, these can be found on the data badge, which is located on the base of the appliance on the left hand side beneath the grill.
- At least once a years check for debris in the catchment area behind the fire and in the flue way.
- If soot has accumulated checks to establish cause rectify and clean flue or chimney accordingly.

PILOT LINTING

Check pilot aeration holes for linting, use a vacuum cleaner nozzle taking care not to damage the pilot head.

TO REMOVE THE BURNER TRAY

- Remove RH and LH side covers undo glass fixing.
- Remove glass panel.
- Remove the loose fuel bed components.
- Disconnect battery leads and remove appliance battery pack.
- Remove gas supply cover.
- Disconnect fire at inlet elbow and Undo the three burner tray fixing screws. Pull carefully forward and remove.
- For normal servicing the tray can be cleaned using a vacuum cleaner.
- Whilst the tray is removed vacuum the firebox if necessary.

REPLACEMENT OF GAS CONTROL

- Follow the burner tray removal sequence.
- Disconnect the thermocouple from the rear of the gas valve.
- Undo the three compression nuts securing the pipes to the gas valve and remove the two screws fixing the valve to the bracket.
- Clean, service or replace gas valve.
- Re-assemble in the reverse order.
- Turn on the gas supply, check for soundness and re-commission appliance.

REPLACEMENT OF INJECTOR

- Follow the burner tray removal sequence.
- Undo the compression nut on the supply pipe.
- Unscrew the locking nut holding the injector on the chassis.
- Clean or replace the injector.

NOTE: -Do not use a wire or a drill to clean out holes. Refer to the appliance data section for details.

- Re-assemble in reverse order.

P7 **Maintenance Instructions**

SECTION ELEVEN Maintenance Continued

REPLACEMENT OF OXY-PILOT ASSEMBLY

NOTE: If the pilot assembly is replaced it must be replaced by an identical unit from the same manufacturer and replaced as a complete unit.

- Follow the burner tray removal sequence.
- Undo the compression nut on the supply pipe at the pilot.
- Carefully pull off the ignition lead.
- Disconnect the thermocouple at the end of the main control valve.
- Remove the cross headed nut holding the pilot to the chassis
- Carefully remove the pilot shield & oxy-pilot.
- Re-assemble in reverse order.

REPLACEMENT OF CONTROL UNIT (EDB)

- Follow the burner tray removal sequence.
- Disconnect leads from control unit and remove 2 bolts.
- Re-assemble in the reverse order.

Turn on the gas supply, check for gas soundness and re-commission appliance.

Paragon P7

THIS IS YOUR EXTENDED FIVE YEAR PARTS WARRANTY

PLEASE READ IT CAREFULLY AND ENSURE YOUR INSTALLER HAS FILLED IN THE FIRST PORTION, KEEP IT IN A SAFE PLACE SO THAT IT IS AVAILABLE WHEN YOUR Gas Safe ENGINEER CARRIES OUT THE ANNUAL SERVICE.

THIS IN NO WAY REDUCES YOUR STATUTORY RIGHTS

THE WARRANTY COMMENCES FROM THE DATE OF PURCHASE YOU MUST RETAIN YOUR RECEIPT OR INVOICE AS PROOF OF PURCHASE.

THIS EXTENDED WARRANTY SPECIFICALLY EXCLUDES SOFT REFRACTORY COMPONENTS, THE BULB AND ANY BATTERIES.

Terms and Conditions

1. The appliance must be installed by a Gas Safe registered person.
2. The appliance must be used in accordance with the users instructions.
3. The appliance must be serviced annually by a Gas Safe registered person.
4. The service log must be correctly filled out and the record of annual services must be up to date and supported by receipts in each case.
5. This warranty is not transferable and relates to the original installation only.
6. The Registration Form must be correctly filled out and returned.
7. The appliance has not been subjected to misuse or accident or been modified or repaired by any person other than the authorised employee or authorised representative of Charlton and Jenrick Ltd.
8. The registration form must be returned within 3 months of purchase.

Infinity HELPDESK NUMBER 0845 5195991

Important

For future reference we suggest you record the following details here, and keep the receipt as proof of purchase. This information may be asked for when you contact the helpdesk.

Model: P7 Serial No.

--	--	--	--	--	--	--	--	--	--	--	--	--	--	--	--	--	--	--	--

This information can be found on the label attached to the packaging and on the data badge, which is located on the appliance flange, top right behind trim.

Retailer Name: _____

Address: _____

Date of Purchase:

--	--	--	--	--	--	--	--	--	--	--	--	--	--	--	--	--	--	--	--

Service Log

The following information must be complete and supported by receipts as part of the conditions of the extended three year parts warranty and the appliance must be registered by completing and returning the registration document (last page of this booklet) to Paragon Fires.

Date of First annual service:

Engineer Name _____

Gas Safe Registration No.

Date of Second annual service:

Engineer Name _____

Gas Safe Registration No.

Date of Third annual service:

Engineer Name _____

Gas Safe Registration No.

Date of Fourth annual service:

Engineer Name _____

Gas Safe Registration No.

We may introduce modifications to products from time to time, and consequently the details given in this booklet are subject to alteration without notice.

Paragon Fires
Charlton & Jenrick LTD
Telford
Shropshire
TF3 3AR
Telephone 0845 5195991

PLEASE REGISTER YOUR 12 MONTH WARRANTY WITH US TODAY

Simply detach this sheet from this booklet, complete and return it in a stamped addressed envelope to:

Paragon Fires
Charlton and Jenrick Ltd
UNIT D
STAFFORD PARK 2
TELFORD
SHROPSHIRE
TF3 3AR

YOUR DETAILS

Name _____

Address _____

Post Code

TELEPHONE No.

PRODUCT DETAILS

Model : P7 Serial No.

Date of Purchase

This information can be found on the label attached to the packaging and on the data badge, which is located on the appliance flange, top right behind trim.

WHERE DID YOU PURCHASE THIS PRODUCT

Name _____

Address _____

Post Code

TELEPHONE No.

Paragon P7

Product ID Label	A-0505	Serial No Prefix	QA (Ng)
Burner Tray / Box Assembly			
Insulation Blanket (4410)			
Grommet (1092)			
Glass Canopy Panel (6712)			
P7 Flue Adaptor Assy (6700)			
Air Tray (6698)			
Silicone Sealing Strip (4818)			
'AA' Battery (12)			
Remote Control Hand Set (6598)			
Additional Fixings (A - 0411)			
Battery Holder (4490)			
7mm Nut Spinner			
2 x AAA Battery (5487)			
Owners Book			
Data Badge			
Warning Label (1053)			
ID Label & Packing Labels			
P7 Log Set (6708)			
Ceramics (6703 / 6704 6705 / 6706 / 6707)			
Self Adhesive Clip (3133)			
Remote Reference Card (6713)			
Serial Number			
Inspector			