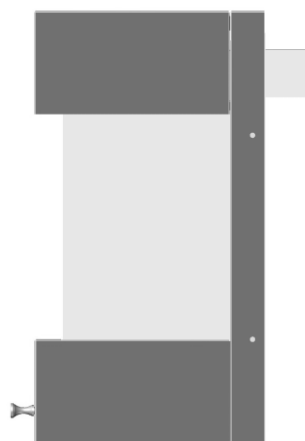




P6



OWNER MANUAL

**INCLUDES
USER INSTRUCTION
&
INSTALLATION & MAINTENANCE
INSTRUCTIONS**

Please read these instructions carefully before you start installing or using this appliance
Keep this booklet handy for future reference

**This appliance is
For use in Great Britain or
IRELAND only**

**Paragon Fires
Charlton & Jenrick Ltd
TELFORD
SHROPSHIRE
TF3 3AR**

Paragon P6 Instructions

CONTENTS

PAGE

USERS INSTRUCTIONS

SECTION ONE Introduction	Consumer Protection Information.....	3
	Heath & Safety Notice.....	3
	Introduction.....	3
	Important Information.....	4
SECTION TWO Operating Appliance	Lighting the Appliance.....	5
SECTION THREE Cleaning	Cleaning Trim and Fret or Fascia.....	8
	Cleaning Black Painted Surfaces.....	8
	Cleaning Pilot Assembly.....	8
	Cleaning Glass panel.....	8
	Removing Glass Panel.....	8
SECTION FOUR Fuel Bed Cleaning & Layout	Cleaning Fuel Bed.....	9
	Log Fuel Bed Layouts panel.....	10

INSTALLATION INSTRUCTIONS

SECTION FIVE Appliance Data		10
SECTION SIX Regulations and Warnings		11
SECTION SEVEN Siting the Appliance	Flue (Class1).....	12
	Installation Compatibility hole in wall.....	12
SECTION EIGHT to Install Appliance	Checking the Flue and Fire Opening.....	12
	Fitting the closure plate.....	13
	Gas supply routing.....	13
	Mounting the appliance.....	13
	Connect the gas supply.....	13
	Fitting the glass panel.....	13
SECTION NINE Checking Fire Operation	Check Gas soundness.....	15
	Checking Product Clearance.....	15
	Fitting Trim/Fascia.....	16
	Advice to Customer.....	17

MAINTENANCE INSTRUCTIONS

SECTION TEN Maintenance	General.....	18
	Pilot Linting.....	18
	To remove the burner tray.....	18
	Replacement of gas control.....	18
	Replacement of injectors.....	18
	Replacement of Oxy-pilot assembly.....	19

Paragon P6 Users Instructions

SECTION ONE Introduction

Consumer Protection Information

As manufacturers and suppliers of heating products, we take every care, as far as is reasonably practicable, that these products are so designed and constructed as to meet the general safety requirement when properly used and installed. To this end, our products are thoroughly tested and examined before despatch.

IMPORTANT NOTICE: Any alteration that is not approved by the appliance manufacturer could invalidate the approval of the appliance, operation of the warranty and could affect your statutory rights.

Health and Safety Notice

Important

This appliance could contain some of the materials, indicated below, that could be interpreted as being injurious to health and safety. It is the users / installers responsibility to ensure that the necessary personal protective clothing is worn when handling these materials, see below for information.

Artificial Fuels, Mineral Wool, Insulation Material, Refractory/Ceramic Fibres, Glass Yarn - *may be harmful if inhaled, may be irritating to skin, eyes, nose and throat.*

When handling, *avoid inhaling and contact with skin or eyes. Use disposable gloves, facemasks and eye protection. After handling wash hands and other exposed parts. If a vacuum is used for cleaning the coals or cleaning after servicing / installation it is recommended that it is of the type fitted with a HEPA filter.*

Disposal of refractory / ceramic materials. To keep dust to a minimum these materials should be securely wrapped in polythene and be clearly labelled 'RCF waste'. These materials are not classified as 'hazardous waste and should be disposed of at a site licensed for the disposal of industrial waste.

INTRODUCTION

- The Paragon P6 as been designed and tested to the requirements of EN 613 and is suitable for use in GB (Great Britain) and IE (Ireland).
- The PARAGON P6 incorporates a single gas control, which selects ignition pilot, and main burner low and high settings.
- Like all appliances incorporating an aerated burner a low frequency noise may be heard, this may be more noticeable on the low setting.
- The Paragon P6 incorporates a safety device in the form of an Oxygen Depletion System, which constantly monitors the oxygen in the room and will cause the fire to switch off if the oxygen level reduces, for instance due to insufficient ventilation or a blocked flue.
If this regularly occurs do not attempt to relight the appliance until a qualified engineer has checked it, the problem may not be due to lack of air or a defective flue.
- To obtain an authentic fire sound, a noise will be noticeable from the burner.

Paragon P6 Users Instructions

SECTION ONE Introduction Continued

IMPORTANT INFORMATION

- The appliance is for use on Natural Gas (G20 @ 20mbar) only.
 - The chimney or flue (unless new or previously used with a gas appliance) shall be swept before installation if it has been used for solid fuel.
 - Failure to install appliance correctly could lead to prosecution.
In GB (Great Britain), the appliance must be installed by a competent person i.e. Gas Safe-registered, in accordance with the GAS SAFETY (INSTALLATION AND USE) REGULATIONS, The Building Regulations (or The Building Regulations (Scotland) or The Building Regulations (Northern Ireland)) and The Current I.E.E. Wiring Regulations, if appropriate.
In IE (Ireland), the appliance must be installed by a competent person and installed in accordance with the current edition of I.S.813 Domestic Gas Installation, the current Building Regulations and the current ETCI rules for electrical installation, if appropriate.
 - The glass front of this fire acts as a dress guard, conforming to BS 1945 (1997) however; a fireguard conforming to BS6539 (1997) must be used to protect young children, the elderly or infirm.
 - The appliance **MUST NOT** be used with the glass safety screen removed or if it is damaged or cracked.
 - During initial firing, an odour may be evident. This is the starch binder used during the manufacture of the fibre components of the fire, and there are **no harmful** effects produced.
 - During the warming up and cooling down of the appliance you may experience some expansion and contraction noises. These are normal.
 - During the normal operation of the fire some black staining may appear on some parts of the fuel bed. This is quite normal and adds to the appearance of the appliance. However, if excessive black staining does occur it may be due to the fuel bed being incorrectly laid. This should be checked prior to contacting a service engineer.
 - Due to the nature of the high gloss finish on the outer trim, you may experience some markings in the form of a film. This is quite normal and can be wiped off using a dry clean cloth when the fire is cold causing no damage to the trim.
- * The top of the outer firebox is not a working surface and therefore you should avoid placing items on top***

Paragon P6 Users Instructions

SECTION ONE Introduction Continued

- Care must be taken to prevent any damage being caused to surrounding soft furnishing or decoration; e.g. many embossed vinyl wall coverings may become discoloured if placed too close to the appliance. Combustible material i.e. wall panelling or wallpaper must be removed from behind the fire and fire fascia.
- It is advised that this appliance is serviced annually; as it is more likely to provide trouble-free operation.
- In GB (Great Britain) the fire does not normally require purpose built ventilation, but if for any special reason purpose built ventilation is provided it should be checked periodically to ensure freedom from obstructions.
- In IE (Ireland) permanent ventilation must comply with the current edition of IS813.

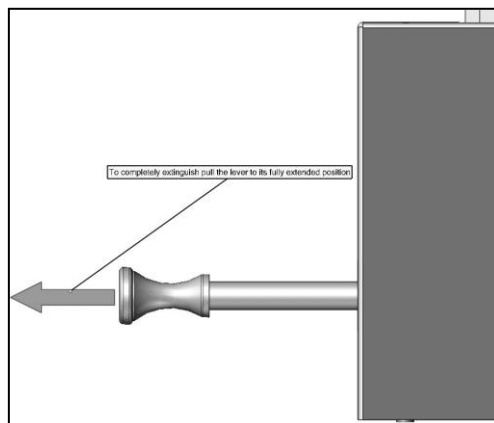
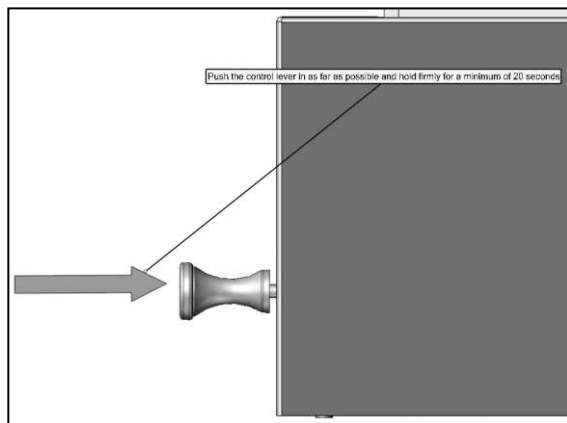
SECTION TWO Operating the Appliance

Before operating the appliance the battery must be fitted to the spark generator. The generator and boot connection is located on the base of the fire box on the left hand side. Connect the battery to the boot connect and place the battery directly under the spark generator unit.

The full lighting procedure is as follows: -

- a. Push slide control lever in, as far as possible a clicking noise will be heard and the pilot will light, **PUSH FIRMLY FOR ABOUT 20 SECONDS.**
- b. Allow the lever to spring back the pilot light should remain alight and the main burner should light on its low setting.
- c. Should the pilot fail to light, pull the lever fully out to turn off the appliance, wait 3 minutes and repeat the procedure (a & b). If the pilot does not light and no clicking noise is heard replace the battery and try again.
- d. After lighting the pilot flame and the main burner on its low setting the control lever may be pulled out until slight resistance is felt, this will put the burner on its high setting.
- e. To completely extinguish the fire, pull the lever out to its fullest extent.
- f. The fire may be operated on either its low or high setting.
- g. It is recommended that the appliance is operated on its high setting for a period of 10 minutes before adjusting to the low setting.
- h. If the ignition does not operate fit a new 9V battery (PP3/MN1602) to the ignition unit, This is located on the base of the fire box RH side.

Note: - If the ignition fails the pilot can be lit with a taper or a match held at the pilot head.



Paragon P6 Users Instructions

SECTION THREE Cleaning

Warning: -

Before you clean any part of the appliance ensures that the appliance is turned off and cold.

CLEANING: FASCIA

Abrasive or chemical cleaner should **never** be used.

CLEANING: PAINTED SURFACES

- These surfaces should be dusted regularly and any marks removed with a soft cloth.
- Abrasive or chemical cleaner should **never** be used.

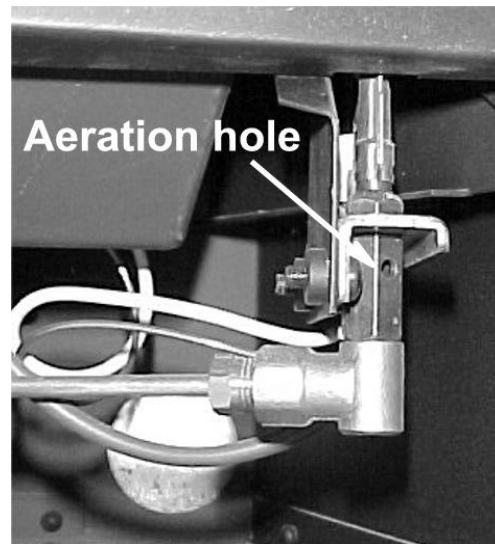
CLEANING: PILOT ASSEMBLY

(Before cleaning ensure that the appliance is turned off and cold)

In some instances you may experience ignition problems even when the appliance is new. This may be due to the aeration hole in the pilot body (see photograph) being partial blocked with dust, pet hairs, or other foreign matter. The source of this debris could be such things as carpet fibres, decorating or pets etc.

To gain access to the pilot, remove the ash pan cover and fret or fascia.

The pilot is located on the right hand side of the appliance, any debris in or around the aeration hole should be remove using the nozzle of a vacuum cleaner. It is advisable not to blow the debris into the hole as this may cause more of a restriction and not rectify the problem.



Note: - Take care when cleaning in this area so as not to damage the pilot assembly.

GLASS CLEANING

From time to time it will be necessary to clean the glass panel of your 660 PC fire. We recommend you use a Ceramic hob cleaner these are available for all leading super markets: - i.e. **ASDA, TESCO, SAINSBURY'S** Etc.

Brands of hob cleaning we have tested and found suitable are - **HOB BRITE & VITRO CLEAN.**

- Ensure the fire as been turned OFF for at least four hours to ensure it is cool.
- Remove the glass panel as described below.
- Lay the glass panel down on a flat working surface on top of an old opened newspaper with the side to be cleaned uppermost.
- Follow the instructions on the Hob Cleaner Bottle.
- On stubborn stains (where the appliance as been used for a long period without glass panel being cleaned), use a new Brillo Pad well wetted with the Hob cleaner applied directly to it.
- Ensure all the residues of the cleaner are removed with a damp cloth and the glass panel is completely dry before fitting to the appliance.

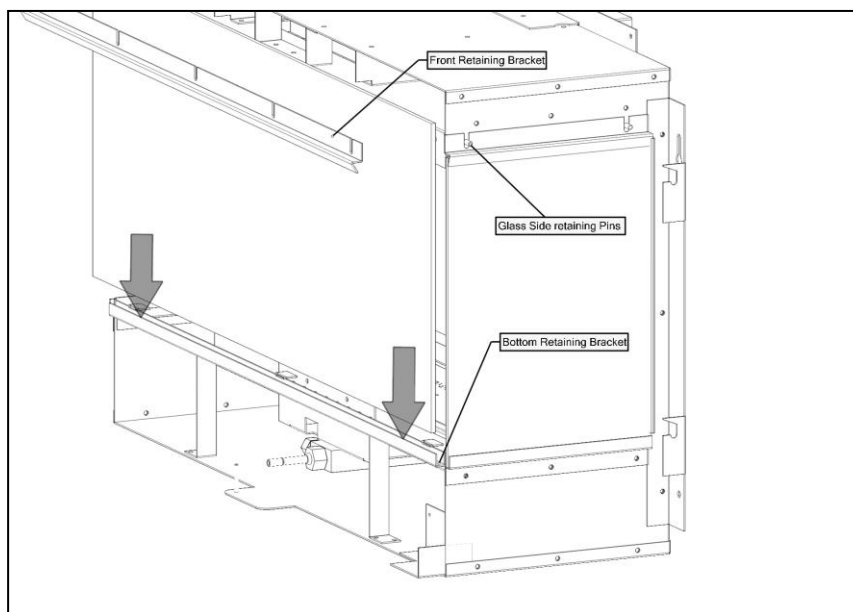
Important: - The appliance must not be used if the glass panel is missing or damaged.

Note: - The glass may discolour quickly when first installed, and it should be cleaned. This is due to the burning off process of the refractory shapes.

The top of the outer firebox is not a working surface and therefore you should avoid placing items on top

Paragon P6 Users Instructions

SECTION THREE Cleaning Continued



REMOVING GLASS PANEL

- Remove the five 7mm nuts holding the front glass panel retaining bracket and slide the bracket clear of the studs.
- Lift the glass panel out of the bottom retaining bracket.
- Before refitting the glass panel, loosen the side clamps retaining the side glass panels.
- Fit the front glass panel within the bottom retaining bracket, position the glass panel central with the outer side edges of the panel running flush with the two side glass panels.
- Slide the top glass front retaining bracket over the five fixing studs and fit and tighten the 7mm nuts, making sure again that the glass panel is flush and central.
- Final tighten the four 7mm nuts retaining the LH and RH glass panels.

SECTION FOUR Fuel Bed Cleaning and Layout

- Use only the fuel bed components provided and no additional parts must added.
- Incorrect positioning of the fuel bed components could result in the staining of the glass panel.

Important: - Refer to the 'Health & Safety Notice located on page 3 of this booklet before cleaning or replacing any refractory material.

- The fuel bed components are delicate and they should be handled with great care.
- The loose parts and moulded shapes may be removed for cleaning. They can be brushed very gently with a soft brush to remove dust or any deposits.
- A vacuum cleaner may only be used after the loose components and moulded shapes have been removed.
- **Please make sure no loose shapes are placed directly on top of the pilot head. (Please see figure below).**

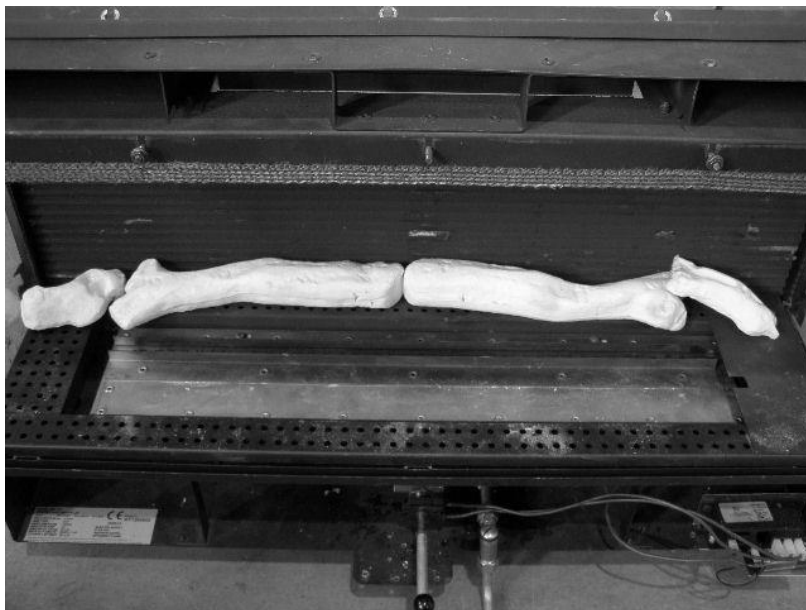
CARE SHOULD BE TAKEN TO AVOID CONTACT WITH THE REFRACTORY LINING THIS IS A DELICATE SURFACE AND SHOULD **NOT** BE WIPED OR RUBBED.

Paragon P6 Users Instructions

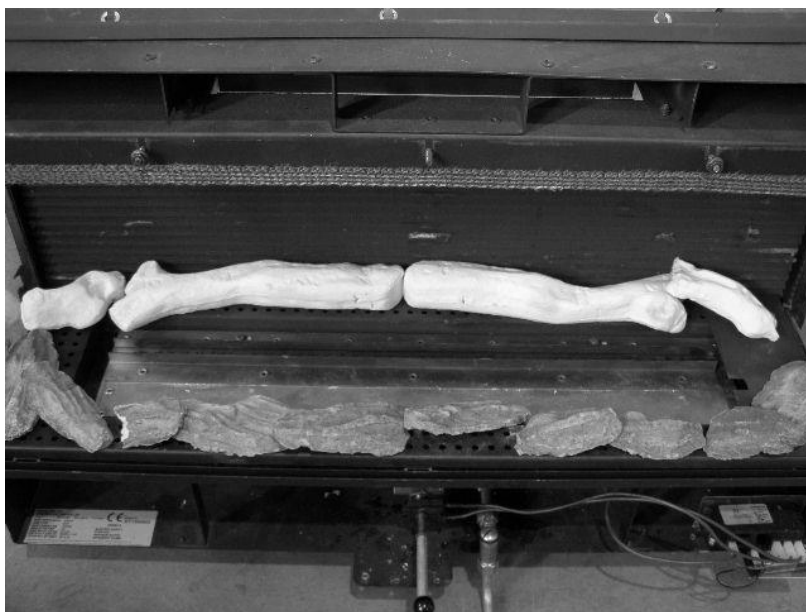
SECTION FOUR Fuel Bed Cleaning and Layout Continued

Place four of the log shapes on top of the air tray touching the glass back liner as shown.

No 12, No 16, No 16 & No 14

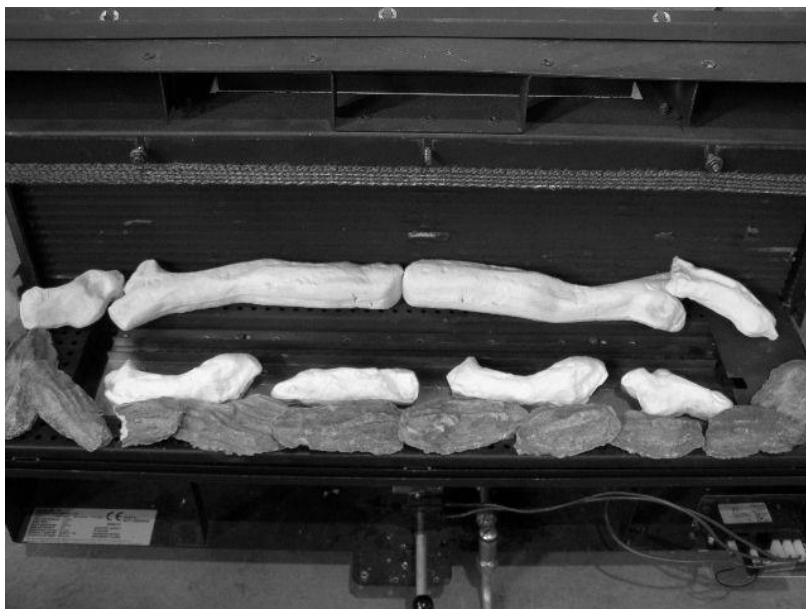


Place a single layer of the bark chipping along the front edge of the air tray as shown.



Place four shapes shown within the burner top plate and air tray as shown.

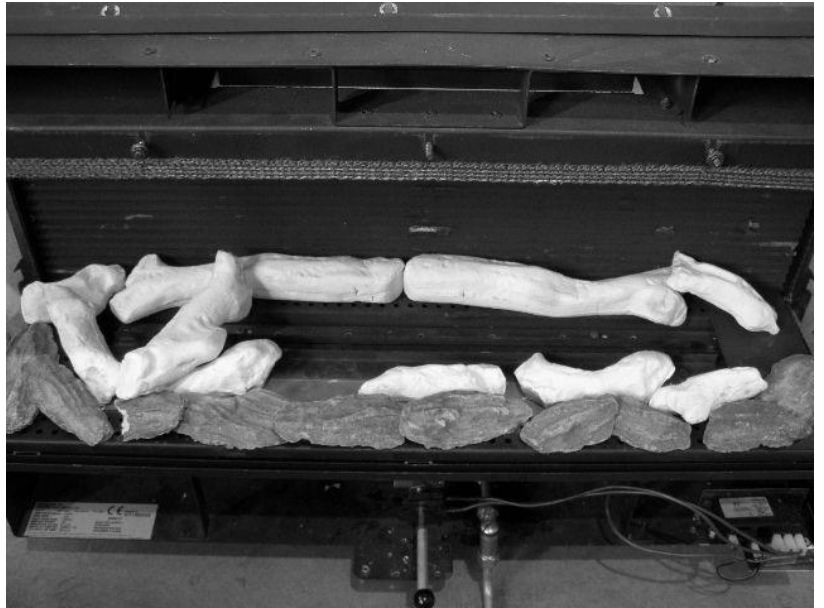
No 15, No 14, No 15 & No 12



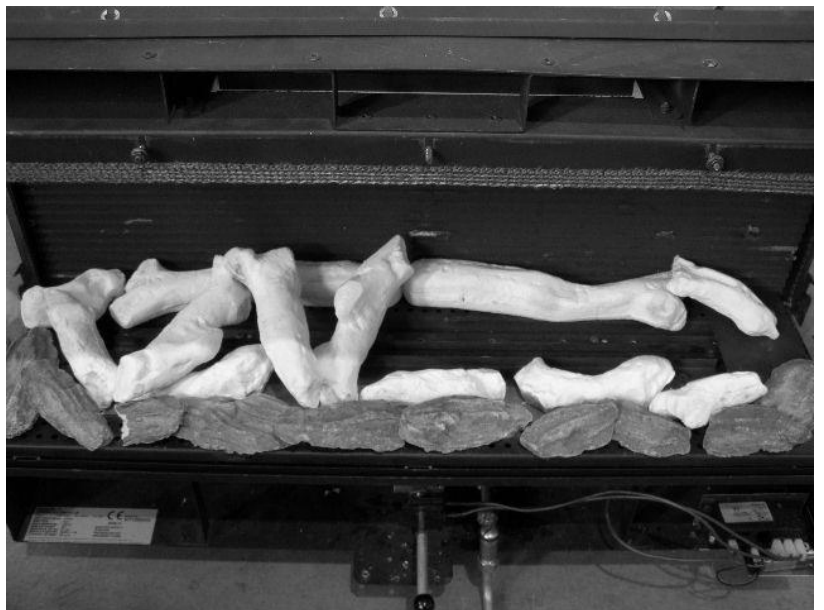
Paragon P6 Users Instructions

SECTION FOUR Fuel Bed Cleaning and Layout Continued

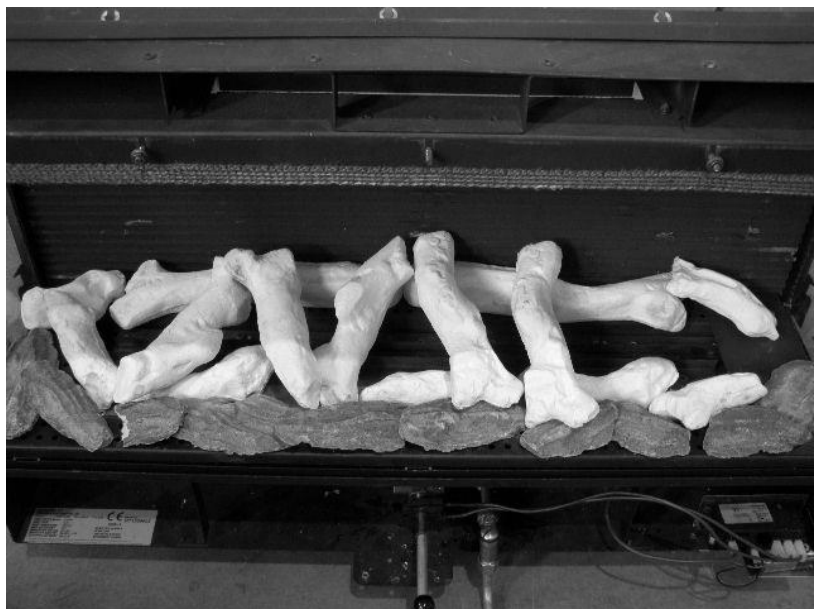
Bridge two of the shape as shown.
No 5 & No 8



Bridge two of the shapes as shown.
No 8 & No 15



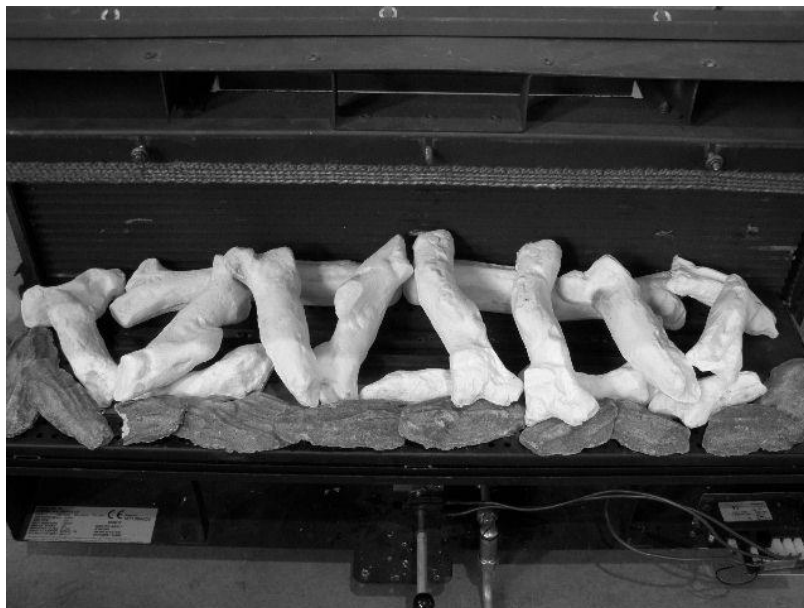
Bridge two of the shapes as shown.
No 16 & No 4



Paragon P6 Users Instructions

SECTION FOUR Fuel Bed Cleaning and Layout Continued

- Bridge two of the shapes as shown.
No 7



SECTION FIVE Appliance Data

NATURAL GAS

Gas Type:.....	CATEGORY I 2 H
Gas Pressure:.....	20 mbar +/- 1.0mbar
Pressure Test Point Location:.....	Gas inlet elbow
Gas Input:.....	5.5 kW Gross (Max.) 2.4 kW Gross (Min.)
NOx Classification	5
Injectors:.....	Mk 360
Oxy pilot:.....	9079
Gas Connection:.....	8mm compression: semi-rigid or rigid
Data Badge Location:.....	Located on the left hand side of the base of the appliance behind the trim.
Battery.....	9 v. (1604G 6F22)

NOTE: The efficiency of this appliance has been measured as specified in BS 7977-1 2009 and the result is 74.1% natural gas. The gross calorific value of the fuel has been used for this efficiency calculation. Gastec have certified the test data from which it has been calculated. The efficiency value may be used in the UK Government's Standard Assessment Procedure (SAP) for energy rating of dwellings.

When unpacking the appliance please check the following items are included:

Fuel Bed: Owners Manual, Trim and glass panels.

Paragon P6 Installation Instructions

SECTION SIX Regulations and Warnings

- This appliance must only be installed in Great Britain or Ireland.
- The appliance is suitable for use on natural gas only.
- **GB (Great Britain)** This fire does not normally require purpose built ventilation.
- **IE (Ireland)** Permanent ventilation must comply with the current edition of IS813.
- **In GB, (Great Britain)**
It is the law that all gas appliances must be installed by a competent person; i.e. a GAS SAFE registered installer, in accordance with the Current Gas Safety (Installation And Use) Regulations (as amended), all relevant parts of the local and national building regulations and all relevant recommendations of the following British Standards. Failure to do so could lead to prosecution.
The following are relevant codes of practice and British Standards: -
B.S. 5871
B.S. 5440 PART 1 & PART 2
B.S. 6891
This appliance must be installed to current versions of the above standards and include any relevant amendments to:-
The Building Regulations Issued By The Department Of The Environment.
The Building Standards (Scotland) (Consolidated) Regulations Issued By The Scottish Development Office.
- **IN IE, (Ireland)**
The appliance must be installed by a competent person and installed in accordance with the current edition of I.S.813 Domestic Gas Installation, the current building regulations, and the current ETCI rules for electrical installation, if appropriate.
- Prior to the installation ensure that the local distribution conditions (identification of type of gas and pressure) and adjustment of the appliance are compatible. (G20 @ 20mbar).

IMPORTANT NOTE: -

The fire fascia supplied must be used with this appliance.

WARNINGS

- The glass front of the fire act as a dress guard, conforming to BS 1945 (1971) and satisfies the heating appliance regulations (1991) However, a guard conforming to BS6539 (1984) must be used to protect young children, the elderly or infirm.
- **This appliance incorporates a safety device in the form of an Oxygen depletion system. IT MUST NOT BE ADJUSTED OR PUT OUT OF OPERATION! THIS IS A NON-SERVICABLE ITEM AND MUST BE EXCHANGED AS A COMPLETE ASSEMBLY; USING ONLY THE ORIGINAL MANUFACTURER'S PART.**
- A suitable proprietary fire surround with a 150°C minimum rating must be provided.
- During initial firing, an odour may be evident. This is the starch binder used during the manufacture of the fibre components of the fire, and there are **no harmful** effects produced.
- Care must be taken to prevent any damage being caused to surrounding soft furnishing or decoration; e.g. many embossed vinyl wall coverings may become discoloured if placed too close to the appliance.

Paragon P6 Installation Instructions

SECTION SEVEN Siting the Appliance

Please note on 125mm diameter flue system the Spigot restrictor plate **MUST** be removed
Class 1 Conventional Flue.

The chimney must have a minimum effective height of at least 3 metres. Any permanent flue restriction or variable dampers are to be removed or locked fully open. The chimney should be swept prior to installation if it has previously been used with solid fuel. This is not necessary if the flue has previously been used with a gas appliance or if it is a new installation.

Precast Flue (Please note the Spigot restrictor plate must be removed)

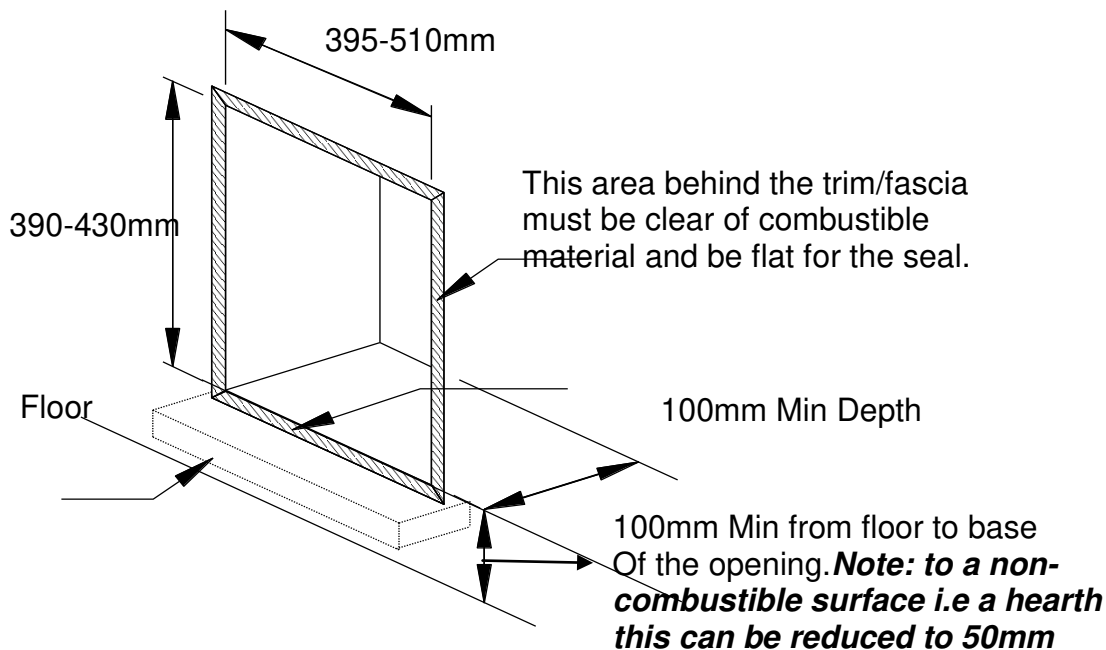
The appliance can be installed to a precast concrete or clay flue block system conforming to BS1289 or BS EN 1806. The appliance is suitable for installation conforming to older versions of BS1289. The cross-sectional area must not be less than 13,000mm². The chimney vertical height must not be less than 3m and be correctly terminated.

Metal Flue Box

The appliance can be installed to a metal flue box conforming to BS715 with a minimum internal depth of 200mm.

The total height of the closure plate is 440mm and will accommodate a maximum opening of 430mm. (This allows a 10mm overhang). The total width of the closure plate is 520mm and will accommodate a maximum opening of 510mm. (This allows a 10mm overhang).

PREPARING THE OPENING



CHECKING THE FLUE AND FIRE OPENING

- Check that the chimney conforms to the required specifications as previously stated. Examine the condition and carry out any remedial work including removing any debris from the base.
- If the flue has been used for solid fuel it should be swept prior to the installation
- Prior to installing the appliance a smoke test (using a smoke bomb) should be carried out to check that satisfactory smoke clearance has been established.

If all the smoke is not drawn into the flue, pre-heat the flue with a blowtorch or similar and re-check. If there is any uncertainty examine for the cause and, if necessary, seek expert advice.

No combustible material should be fitted inside the fireplace opening.

- When installing this appliance against a dry lined (plasterboard) wall ensure that any void between the plasterboard and the wall is sealed with a suitable non-combustible material (i.e. plaster or mortar).

Paragon P6 Installation Instructions

SECTION EIGHT To Install the Appliance

FITTING THE CLOSURE PLATE

The front of the fireplace should be flat over an area sufficient to ensure a good seal with the closure plate. The flat surface should extend for a height equal to that of the closure plate plus 20mm and for a width equal to that of the closure plate plus 40mm.

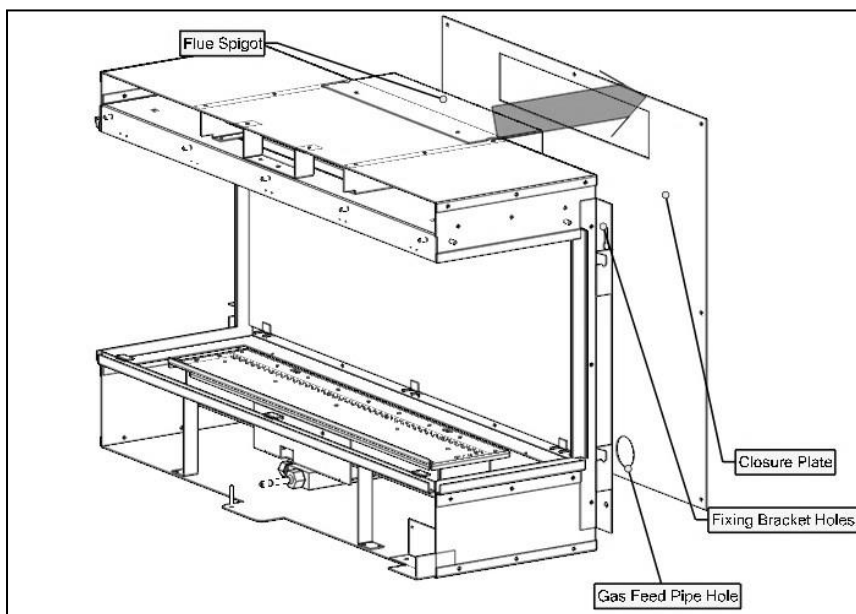
The closure plate has an opening at the bottom for the gas feed pipe. The gap between the pipe and this opening should be sealed with tape after connection. The closure plate must be fitted and sealed to the fireplace opening using a suitable heat resistant material.

GAS SUPPLY ROUTING

Use rigid or semi – rigid tube to connect the supply. Determine the gas supply pipe route to the appliance before installing the fire.

MOUNTING THE APPLIANCE

The flue spigot must be capable of passing through the closure plate with a minimum clearance of 50mm between its open end and the nearest obstruction. There must also be a minimum clearance of 100mm between the back of the closure plate and the back of the catchment space. Place the fire in position and mark the wall through the holes in the fixing brackets LH and RH of the firebox. Drill and plug the holes using no 10 wall plugs. Place the fire in position and secure with four no 10 x 2in Wood screws.



CONNECTING THE GAS SUPPLY

Note: - An isolation valve may be fitted in the gas supply adjacent to inlet pipe.

For a concealed connection: -

- Remove the burner assembly by removing four screws holding the burner tray to carrier.
- fit the grommet over the pipe and seal around the inlet hole.
- Refit the burner unit and make connection between the supply isolating valve and the burner assembly inlet.

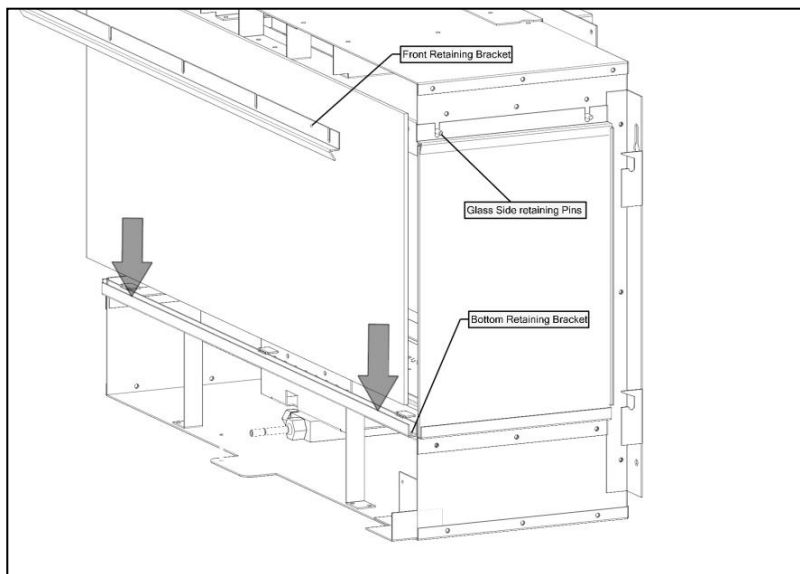
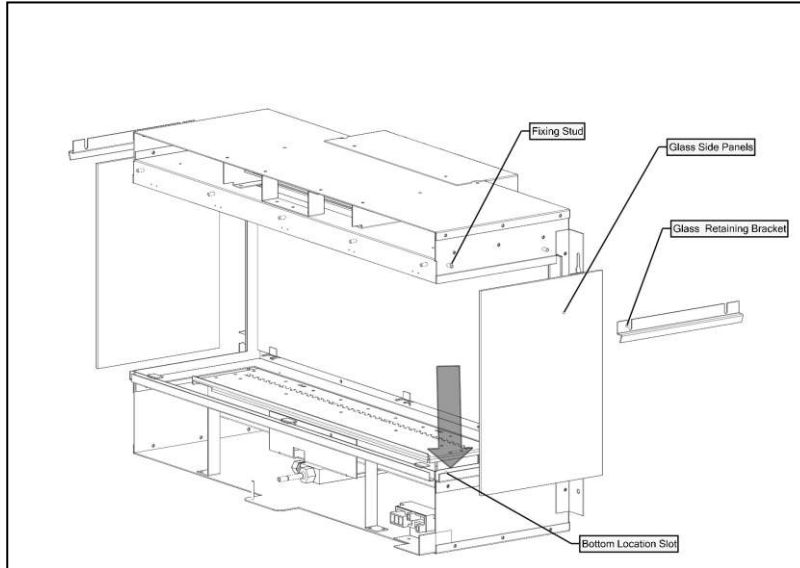
FITTING THE GLASS PANELS

- Slide the LH and RH glass panels within the bottom location slots.
- Fit the top retaining brackets over the two fixing studs LH & RH and finger tighten using the four off 7mm nuts. (DO NOT TIGHTEN AT THIS STAGE).
- Lay the fuel bed in accordance with section four fuel bed lay out.

Paragon P6 Installation Instructions

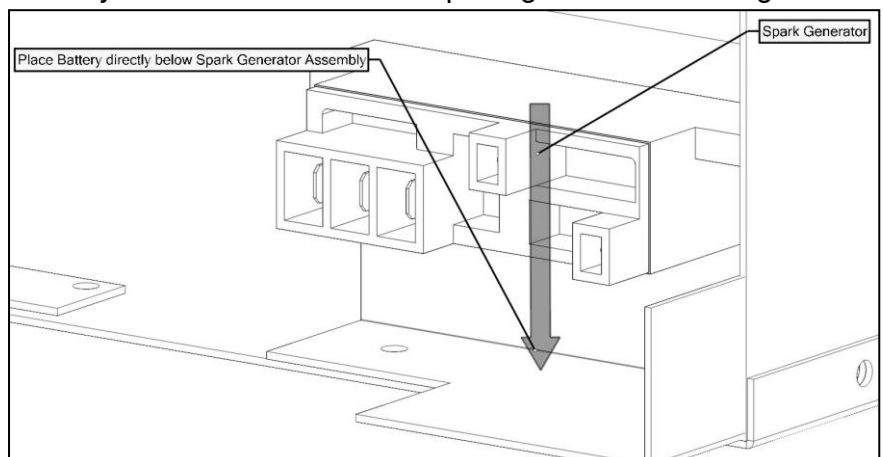
SECTION EIGHT To Install the Appliance Continued

- Fit the front glass panel within the bottom retaining bracket, position the glass panel central with the outer side edges of the panel running flush with the two side glass panels.
- Slide the top glass front retaining bracket over the five fixing studs and fit and tighten the 7mm nuts, making sure again that the glass panel is flush and central.
- Final tighten the four 7mm nuts retaining the LH and RH glass panels.



BATTERY CONNECTION POSITION.

Before operating the appliance the battery must be fitted to the spark generator. The generator and boot connection is located on the base of the fire box on the right hand side. Connect the battery to the boot connect and place the battery directly under the spark generator unit.



Paragon P6 Installation Instructions

SECTION NINE Checking Operation of Fire

CHECKING GAS SOUNDNESS

- Turn on the gas supply to the appliance and check for soundness in accordance with current codes of practice.
- Turn off the gas supply at the external Isolation valve.
- Remove the pressure test point screw from the inlet elbow and connect the pressure gauge.
- Turn on the gas to the appliance at the Isolation valve.
- Light the appliance as described in section 2.
- Check the inlet pressure is 20mbar. +/- 1.0.
- Turn off gas supply, at the isolation valve. Disconnect the pressure gauge and replace the pressure test point screw.
- Turn on the supply to the appliance and check the pressure test point for soundness with detection fluid.

LAY FUEL BED

Important: -

Refer to the 'Heath & Safety Notice located on page 3 of this booklet before laying or replacing any refractory material.

In the event of replacing fuel bed components please use only the specified number of components as illustrated. Only use fuel bed component provided for this appliance. In the interest of safety and efficiency of your appliance when replacing the fuel bed it is essential that the existing fuel bed be removed and the new components are replaced correctly as a complete set.

Lay fuel bed as described under Users Section.

Warning:

It is important that the fuel bed components are positioned as shown in these instructions. If the fuel bed components are not positioned correctly this may result in damage to the glass.

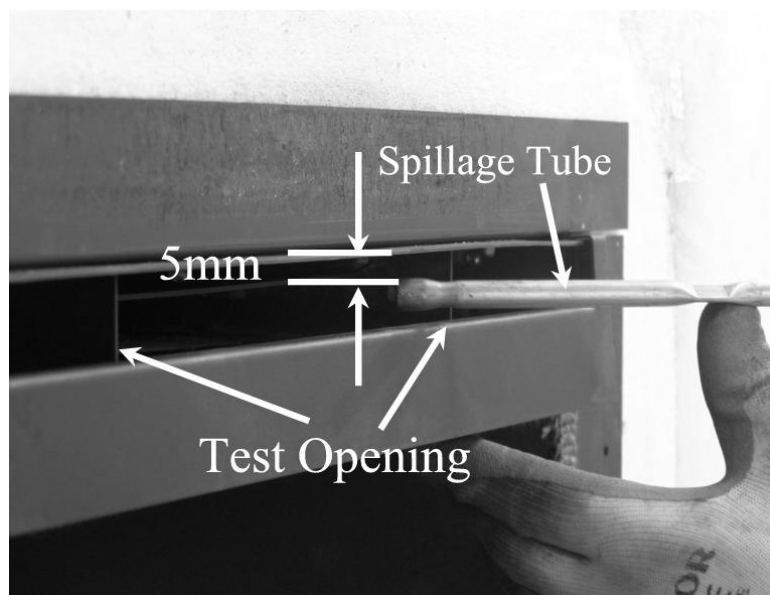
Paragon P6 Installation Instructions

SECTION NINE Checking Operation of Fire

CHECKING FOR COMBUSTION PRODUCTS CLEARENCE

IMPORTANT:-The smoke test must be carried out with the fire starting from cold.

- Light the fire and leave at maximum input.
- Close all the doors and windows.
- After five minutes fit the smoke match in a holder and position as illustrated with the head of the match just inside the test opening (Within the downdraft diverter slot) .
- Run the match along the top edge **All smoke** must be drawn into the test opening if the clearance is satisfactory.



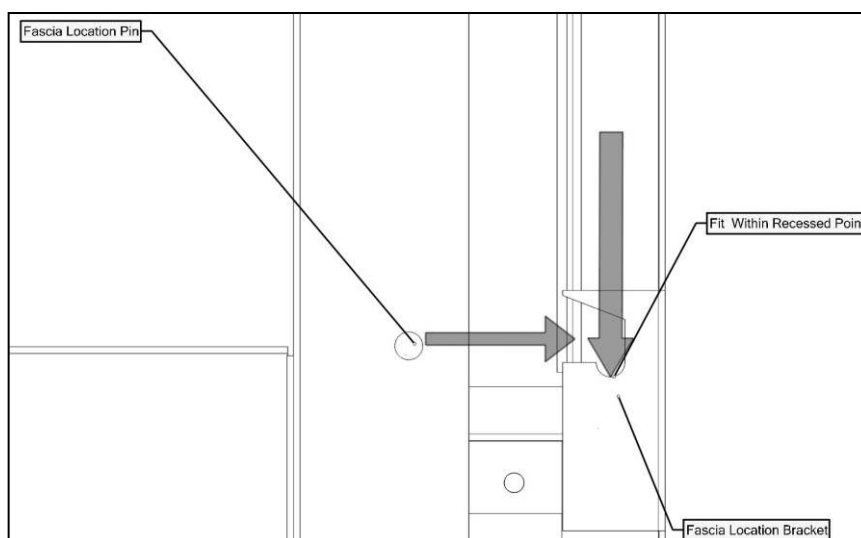
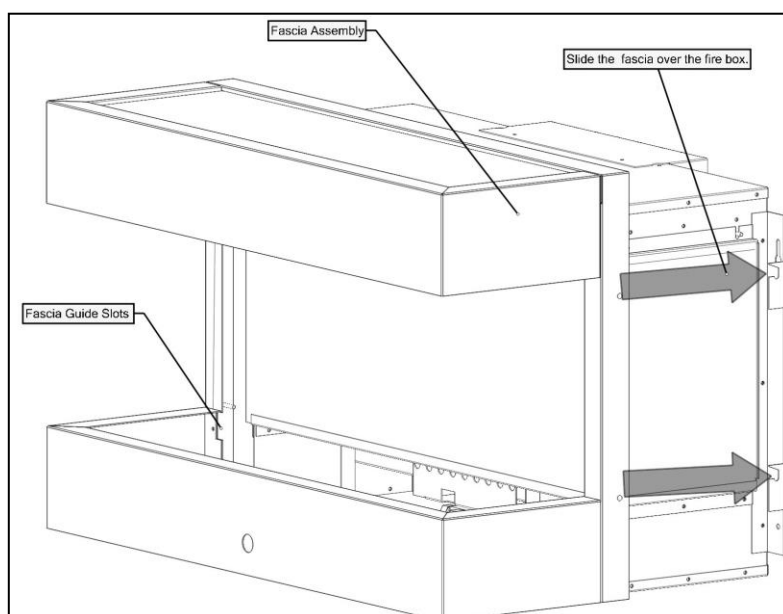
Paragon P6 Installation Instructions

SECTION NINE Checking the Operation of the fire Continued

- If spillage occurs wait a further five minutes and repeat the test.
- Repeat the test with doors open and with any extractor fans in other rooms in operation.
- If spillage is detected the cause must be discovered and the fault corrected, if the fault cannot be corrected, disconnect the fire from the gas supply and seek expert advice. Spillage can be caused by a restriction in the flue system, down draught or insufficient ventilation into the room where the fire is installed.

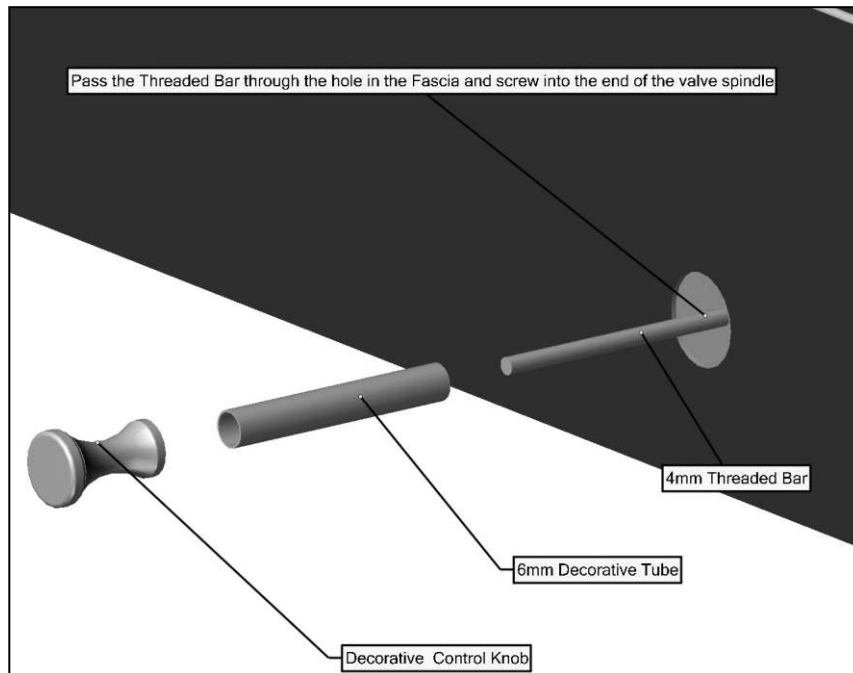
FIT STANDARD FASCIA

- Offer the decorative fascia up squarely and centrally. The back face of the fascia will have cut out to give clearance for glass retaining brackets. Use these slots as a guide, slide the fascia over the firebox.
- The rear of the fascia has four location studs. Lift the fascia and locate the studs within the slotted holes two LH and RH within the assembly of the firebox .



Paragon P6 Installation Instructions

SECTION NINE Checking the Operation of the fire Continued



FITTING OPERATING LEVER

- With the fascia in position pass the 4m threaded bar through the hole in the front base of the fascia. Screw the threaded bar into the end of the valve spindle.
- With the threaded bar in place. Pass the 6mm tube over the bar until it makes contact with the clip on the spindle assembly.
- Finally screw the decorative knob onto the exposed thread.

ADVISE CUSTOMER THAT:

- The glass front of this fire acts as a dress guard, conforming to BS 1945 (1997) and satisfies the heating appliance regulations (1991) however; a fireguard conforming to BS6539 (1997) must be used to protect young children, the elderly, or infirm.
- The curing effect of heating the logs and other refractory components will cause an initial odour. This is due to the starch used in the manufacturing process and is non-toxic.
- Any debris should be cleaned from the appliance. A vacuum cleaner can be used but only after all the loose logs have been removed.
- The appliance should be serviced annually by a competent person in accordance with these instructions and the appliance checked for spillage in accordance with the method detailed in these instructions.
- Demonstrate the lighting and extinguishing procedures to the user and the removal and refitting of the Fascia and glass panel for cleaning. Refer to the user section of this booklet.
- If ventilation is fitted for any reason it must be checked regularly to ensure freedom from obstructions.

Hand these instructions over to the user.

Paragon P6 Maintenance Instructions

SECTION TEN Maintenance

GENERAL

- Servicing should be carried out annually by a competent person such as a GAS SAFE-registered person in accordance with the relevant regulations, to ensure the safe and correct operation of the appliance.
- Before commencing any service or replacement of parts, turn off the gas supply to the fire. After servicing check for gas soundness.
- When ordering spare parts please quote appliance name and serial number, these can be found on the data badge, which is located on the left hand side of the appliance behind the trim or fascia.
- At least once a years check for debris in the catchment area behind the fire and in the flue way.
- If soot has accumulated checks to establish cause rectify and clean flue or chimney accordingly.

PILOT LINTING

Check pilot aeration holes for linting; use a vacuum cleaner nozzle taking care not to damage the pilot head.

TO REMOVE THE BURNER TRAY

- Turn off the gas supply by the isolating cock.
- Disconnect the fire from the inlet elbow.
- Remove the operating lever assembly.
- Remove the loose fuel bed components.
- Lift off the decorative fascia.
- Remove the battery from the boot lead and remove the two fixing screws attaching the spark generator to the fire box body.
- Remove the four screws attaching the burner tray to the fire box shelf.
- Pull carefully forward and remove the complete tray assembly.
- For normal servicing the tray can be cleaned using a vacuum cleaner.
- Whilst the tray is removed vacuum the firebox if necessary.

REPLACEMENT OF GAS CONTROL

- Follow the burner tray removal sequence.
- Disconnect the thermocouple from the rear of the gas valve.
- Undo the three compression nuts securing the pipes to the gas valve and remove the two screws fixing the valve to the bracket.
- Clean, service or replace gas valve.
- Re-assemble in the reverse order.
- Turn on the gas supply, check for soundness and re-commission appliance.

REPLACEMENT OF INJECTOR

- Follow the burner tray removal sequence.
- Undo the compression nut on the supply pipe.
- Unscrew the locking nut holding the injector on the chassis.
- Clean or replace the injector.

NOTE: -Do not use a wire or a drill to clean out holes. Refer to the appliance data section for details.

- Re-assemble in reverse order.

Paragon P6 Maintenance Instructions

SECTION TEN Maintenance Continued

REPLACEMENT OF OXY-PILOT ASSEMBLY

NOTE: If the pilot assembly is replaced it must be replaced by an identical unit from the same manufacturer and replaced as a complete unit.

- Follow the burner tray removal sequence.
- Undo the compression nut on the supply pipe at the pilot.
- Carefully pull off the ignition lead.
- Disconnect the thermocouple at the end of the main control valve.
- Remove the cross headed nut holding the pilot to the chassis
- Carefully remove the oxy-pilot.
- Re-assemble in reverse order.

REPLACEMENT OF THE SPARK GENERATOR

- Disconnect leads from control unit.
- Re-assemble in reverse order.

FLUE CHECK

- Remove the fire from the opening: - Reversing fitting instructions, but first remove fascia and glass panel plus Log shapes.
- Examine flue and rectify as necessary.
- Replace the fire, referring to fitting instructions.

Paragon P6

**THIS IS YOUR EXTENDED FIVE YEAR PARTS
WARRANTY**

PLEASE READ IT CAREFULLY AND ENSURE YOUR INSTALLER HAS FILLED IN THE FIRST PORTION, KEEP IT IN A SAFE PLACE SO THAT IT IS AVAILABLE WHEN YOUR GAS SAFE ENGINEER CARRIES OUT THE ANNUAL SERVICE.

THIS IN NO WAY REDUCES YOUR STATUTORY RIGHTS

THE WARRANTY COMMENCES FROM THE DATE OF PURCHASE YOU MUST RETAIN YOUR RECEIPT OR INVOICE AS PROOF OF PURCHASE.

THIS EXTENDED WARRANTY SPECIFICALLY EXCLUDES SOFT REFRACTORY COMPONENTS, THE BULB AND ANY BATTERIES.

Terms and Conditions

1. The appliance must be installed by a Gas Safe registered person.
2. The appliance must be used in accordance with the user's instructions.
3. The appliance must be serviced annually by a Gas Safe registered person.
4. The service log must be correctly filled out and the record of annual services must be up to date and supported by receipts in each case.
5. This warranty is not transferable and relates to the original installation only.
6. The Registration Form must be correctly filled out and returned.
7. The appliance has not been subjected to misuse or accident or been modified or repaired by any person other than the authorised employee or authorised representative of Charlton and Jenrick Ltd.
8. The registration form must be returned within 3 months of purchase.

PARAGON HELPDESK NUMBER 0845 5195991

WARRANTY COVER

Important

For future reference we suggest you record the following details here, and keep the receipt as proof of purchase. This information may be asked for when you contact the helpdesk.

Model: **Paragon P6** **Serial No.**

--	--	--	--	--	--	--	--	--	--

This information can be found on the label attached to the packaging and on the data badge, which is located on the left hand side of the base of the appliance behind trim.

Retailer Name: _____

Address: _____

Date of Purchase:

--	--	--	--	--	--

Service Log

The following information must be complete and supported by receipts as part of the conditions of the extended three year parts warranty and the appliance must be registered by completing and returning the registration document (last page of this booklet) to Paragon Fires.

Date of First annual service:

Engineer Name _____

Gas Safe Registration No.

Date of Second annual service:

Engineer Name _____

Gas Safe Registration No.

Date of Third annual service:

Engineer Name _____

Gas Safe Registration No.

Date of Fourth annual service:

Engineer Name _____

Gas Safe Registration No.

We may introduce modifications to products from time to time, and consequently the details given in this booklet are subject to alteration without notice.

Paragon Fires

Charlton & Jenrick Ltd

Telford

Shropshire

TF3 3AR

Telephone 0845 5195991

PLEASE REGISTER YOUR 12 MONTH WARRANTY WITH US TODAY

Simply detach this sheet from this booklet, complete and return it in a stamped addressed envelope to:

PARAGON FIRES

Charlton and Jenrick Ltd
UNIT D
STAFFORD PARK 2
TELFORD
SHROPSHIRE
TF3 3AR

YOUR DETAILS

Name _____

Address _____

Post Code

TELEPHONE No.

PRODUCT DETAILS

Model: **Paragon P6** **Serial No.**

Date of Purchase

This information can be found on the label attached to the packaging and on the data badge, which is located on the left hand side of the base of the appliance behind trim.

WHERE DID YOU PURCHASE THIS PRODUCT

Name _____

Address _____

Post Code

TELEPHONE No.

Product ID Label	A-0394	Serial No Prefix	Prefix (NJ)
			(Ng)
Burner Tray / Box Assembly			
Back spigot Fitted / Restrictor Label			
Air Tray (Part No 6081)			
Glass Panels 2 x side 1 x Front			
Log Fuel Bed (6343)			
9v Battery (1904)			
Control Knob Kit Bagged (6291)			
Spare Fixings (A-0411)			
Closure plate			
Outer Fascia			
Data Badge			
Warning Label (1409)			
ID Label & Packing Labels			
Grommet (1092)			
7mm Nut Spinner			
Beige chippings 46g (Part No 6461)			
Serial Number			
Inspector			