

PARAGON[®]

A World of heat you can rely on



A Great British Product

Charlton & Jenrick[™]
Best of British fires, fireplaces & stoves

Introducing the **Paragon gas fire collection** from **Charlton & Jenrick**

For over 28 years, Charlton & Jenrick have been at the forefront of improving the technology and efficiency of 'living flame' gas fires.

For homes with or without a chimney, for a traditional or modern feel, Paragon has a range of open-flame and super-efficient glass-fronted fires that will create the perfect centrepiece for your living room.

Tailor your fire to meet your needs

You can tailor your fire to your exact taste and needs, choosing from our extensive range of 14 different frets, 33 trims and fascias, 6 fuel beds, and a choice of control type. Add to that hole-in-the-wall or conventional installation, you will see that with Paragon you're spoilt for choice.

Open flame for a more welcoming warmth

Nothing is as welcoming as a 'living flame' fire, with superb and realistic fuel beds, designed to give you all the glowing warmth you need.



Glass-fronted for a more efficient heat

Glass window technology gives class-leading thermal efficiency, so important with today's rising gas prices.



Fuel bed options



At-a-glance symbols to help you choose

Flues – For more information on flues see pages 58-59



Putting you in control

Choose from manual, slide or battery-operated remote control, which, unlike with other fires, not only adjusts the flame but lights the fire as well.



Manual control



Slide control



Remote control

Installation type

Conventional

Designed to give you the big picture and a more efficient gas fire. With a choice of realistic fuel beds available in either coal, pebbles or logs, in a wide choice of trims and frets enabling you to create your perfect fire.



Hole-in-the-wall

Hole-in-the-wall fires can make rooms appear larger and are ideal where space is an issue; they also work well in modern luxurious surroundings where you wouldn't expect to find a traditional fireplace.



Paragonite fuel bed



Carrara marble pebbles fuel bed



Granular fuel bed

All fires approved to latest efficiency standards for UK inset gas fires.



Here at Charlton and Jenrick we constantly strive to maintain a high level of efficiency, with our most efficient fires achieving up to 90% efficiency.

EXAMPLE USED: Symphony BF

*As part of the continual improvement programme at **Charlton & Jenrick** we take pride in innovating & developing our fires, always striving for improvements. Part of this process requires that we test all our gas fires to the current efficiency standards, ensuring our customers always receive up-to-date products.*

*All the open-flue inset fires (both open-front and glass-front) in this brochure have been independently certified to the efficiency requirements of **BS 7977-1:2009+A1 :2013** which came into force in late 2013 and included an amendment that requires all gas fires to be tested without excessive spillage on the efficiency test rig to claim an efficiency. Balanced-flue fires and direct connection open-flue fires are tested to the latest revision of **BSEN613: 2001**.*

The efficiencies quoted in this brochure are the Net efficiencies which are usually advertised in marketing literature. A brief explanation is on the opposite page and if you wish to see a copy of the standards we use, further details can be found at www.bsigroup.com.

Efficiency explained

Net Efficiency v Gross Efficiency

Net efficiency calculations assume that the energy contained in the water vapour which is formed as a product of combustion is recovered in some way, e.g. into the fabric of the building and is not lost from the flue/chimney. Gross combustion efficiency calculations assume that the energy contained in the water vapour is not recovered and is lost to the outside air. Typically the difference between the value of net combustion efficiency and the value of gross combustion efficiency for a natural gas fire is around 5 to 8 percentage points with the net value being higher than the gross value. Most gas fire manufacturers quote their efficiencies based on the net combustion efficiency, although the gross value is often stated in the installation instructions for Building Regulations purposes.

Energy efficiency for SAP ratings in your home

The latest version of The Building Regulations Part L and the new version due out in 2014 both call upon the mentioned standard efficiency tests in relation to calculating the rating of your gas fire for SAP (Standard Assessment Procedure) purposes. If your fire has not been approved to the correct standards then an accurate calculation cannot be made and a nominal low standard figure from the SAP guide will be used instead. For more details please visit www.gov.uk/standard-assessment-procedure

When considering your purchase of a gas fire it is important to ensure you are comparing like for like. If unsure it is always worth confirming with the staff in the showroom you are using, or the manufacturer of the fire, that the appliance has been tested to the very latest version of *BS7977 i.e. including +A1: 2013*.

Tested and approved with guaranteed quality

Every Paragon fire is designed to the highest standards using only the finest materials, as well as being tested and approved to European standards, meaning we can be confident about every fire we make. So confident, in fact, each fire comes with a **5-year parts warranty.***

*Subject to terms and conditions which you will find on our website.



All Paragon gas fires are manufactured under a BS EN ISO 9001 quality system (registration number 5195), which covers all areas of product design, development, manufacture and service.

Contents

Open Flame	
Paragon One	6
Convector P1	8
2000 Plus	10
2000 Extra	12
Turbo 2000 Plus	14
2000 Low Lintel	15
Slimline 3	16
Quality Inset Trays	18
Shelf Burners	19
Glass Fronted	
Focus HE Slimline	22
Focus HE Multi-Flue	24
Focus HE	26
Focus HE 18"	28
Focus RS Plus	30
Focus RS Plus 18"	32
Quartet CF	34
Symphony CF	36
Symphony BF	38
P4 Series	40
P8 Series	42
P6 Series	44
Cast Insert (Open Flame)	
Chirbury Cast	46
Fret Options	48
Trim Options	49
Fascia Options	50
Specs & Dimensions	52
Flue types	58
Flue compatibility	59

Fits most chimneys

Paragon One

An open-flame fire designed to fit most chimneys and class II flues

The Paragon One has been designed to give you the big picture. A huge, realistic fuel bed available with either coal or pebbles. In common with all Paragon products, a wide choice of trims and frets are available to enable you to create your perfect fire. The Paragon One is even suitable for hole-in-the-wall installation.

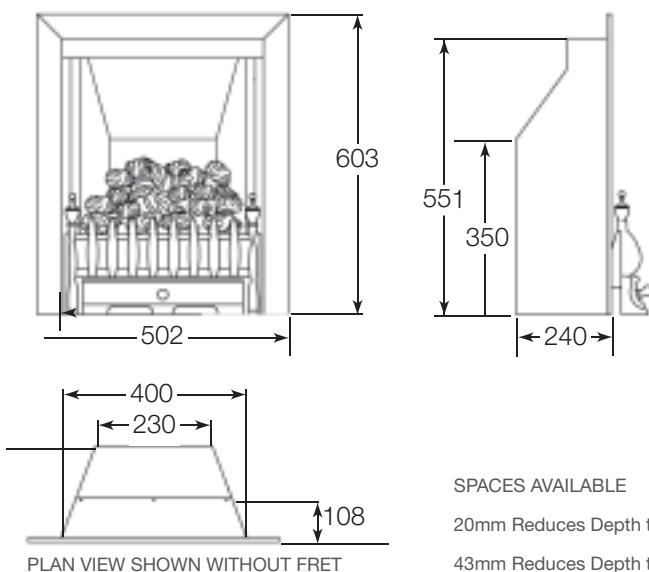


The Paragon One with a black Cast fascia and coal fuel bed. Shown in the Beckford, Portuguese limestone fireplace from Fireline.

Traditional or hole-in-the-wall installation

Introducing the Paragon One, a class-leading fire for installation into chimneys & class II flues.

- Extra wide and deep fuel bed to give probably the most realistic flame effect in its class
- Heat outputs of up to 3.5kW due to its high-efficiency burner system
- 2 ultra-realistic fuel beds – choose from coal or pebble
- No canopy to mar the clean lines of this classically styled fire
- Choose a control system to suit you: manual, slide or even full sequential remote control
- Can be wall mounted without a hearth using a four-sided trim or three-sided trim on a mini hearth
- 55.5% efficiency – higher than most other similar fires
- 5-year parts guarantee, subject to terms and conditions



This illustrates the new Paragon One with Solar IV graphite fascia. When installed with this trim, the fire does not require any hearth, providing the fire is 105mm off the floor. (Available in graphite and brushed stainless steel.)

Also available
as a hole-in-the-wall fire



The Paragon One with chrome trim, Gate fret and coal fuel bed. Shown in the Wroxeter fireplace from Fireline.

Features:

- 1
- 2
- NG
-
-
-
-
-
- 3.5 kW
-
- 7

For specifications refer to the technical datasheet

Fits most chimneys

Convector P1

High-Efficiency Fire

The warmth and comfort of an open-flame gas fire at an affordable price.

The new Convector P1 from Paragon maintains the desirable extra-wide, deep fuel bed of its predecessor, the Paragon One, and benefits from a new firebox body. As well as the convective heat that you would expect, the fire also gives a fantastic radiant warmth. This all combined helps to give the Convector P1 a substantial output of 4.44kW and a very impressive net efficiency of 70.4%.

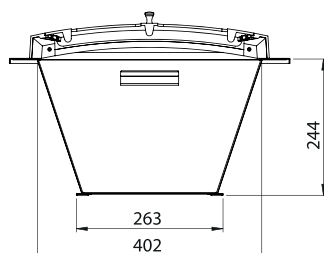
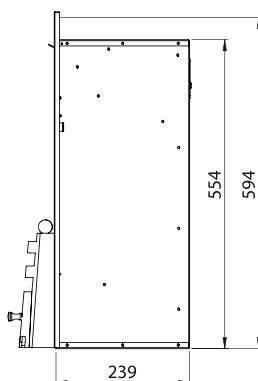
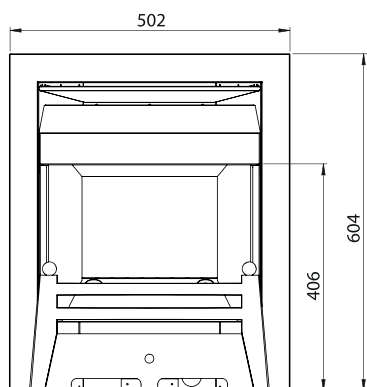
This practical efficiency, coupled with a realistic fuel bed and a whole range of trim and fret options to stylise the fire, make the new Convector P1 an ideal choice to compliment any room.



Convector P1 shown with brass Gate fret and brass trim and shown in Stokesay limestone surround from Fireline.

One of the most efficient open-flame gas fires on the market.

- Extra wide and deep fuel bed to give probably the most realistic flame effect in its class
- Heat outputs of up to 4.4kW at 70.4% efficiency due to its high-efficiency firebox body
- Ultra-realistic coal fuel bed
- Choice of a manual, slide or remote control
- Choice of fascia and trim options
- 5-year parts guarantee, subject to terms and conditions
- Radiant heat gives an impressive and realistic glow to the fuel bed
- Available with a choice of 7 different trim styles and 5 different finishes
- Will operate in most flues including pre-cast subject to an appropriate fireplace. For more details please refer to the installation manual.





Convector P1 in Wave surround with satin Elite trim.

Features:



For specifications refer to the technical datasheet

Fits most chimneys and pre-cast flues

2000 Plus

No more pre-cast flue compromises. The 2000 Plus is our most versatile fire. It is designed specifically for chimneys or pre-cast flues and is suitable for either hearth or wall mounting.

Nothing is as welcoming as a 'living flame' fire and with the 2000 Plus range you can find a model to fit every home, making a comfort statement in any room. The superb, realistic coal and pebble fire effects produce up to 4.0kW heat output at a 56.6% efficiency, giving you all the glowing warmth you need.

Spoilt for choice

But the 2000 Plus range isn't just about practical efficiency; it's also about style and design. You can choose from a large range of trim and fascia options, with four fret designs in up to four finishes and all are available with a choice of ribbed, plain or brick firebacks. So you can make a real style statement with a contemporary look, or go for a more traditional design.

No hearth

The 2000 Plus can be installed on either a mini hearth or with a 4-sided trim if the fire is a minimum of 105mm (4 1/4") off the floor.

The 2000 Plus range also has the option of a retro-fitted canopy; this not only looks good but it is also designed for certain older pre-cast flues, where air flow is restricted through poor flue design, to improve the performance of the flue.



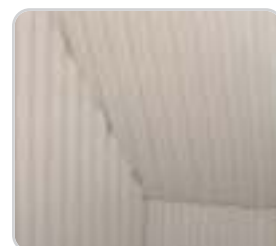
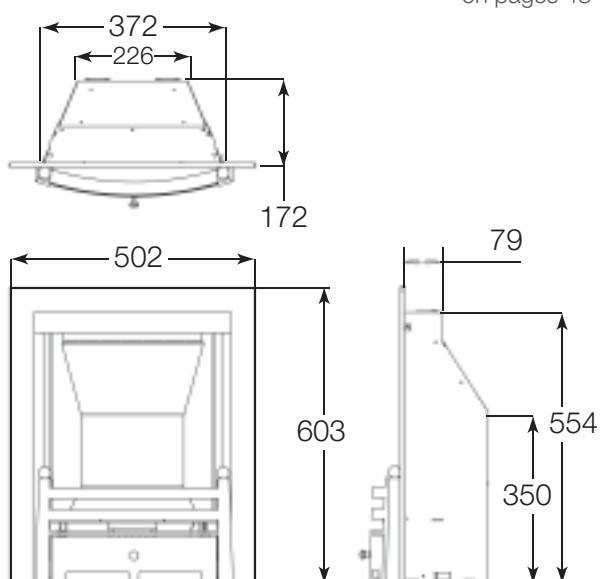
Black trim and black Gate fret shown with pebble fuel bed.



Brass trim and brass Wellington fret shown with coal fuel bed and optional canopy.

Choose the style and design to suit your home

Firebacks are available in reversible plain black or brick as standard with reversible beige ribbed or plain as an option. A complete range of trim and fret options is shown on pages 48-49. For hole-in-the-wall options see pages 50-51.



Coal fuel bed.



Pebble fuel bed.

Also available
as a hole-in-the-wall fire



2000 plus with brass Cast fascia and coal fuel bed shown in Burcombe Portuguese limestone fireplace from Fireline.

Features:

- 1
- 2
-
- NG
- LPG
-
-
-
-
-
-
- 4.0 kW
-
- 11

For specifications refer to the technical datasheet

Fits most chimneys and pre-cast flues

2000 Extra

A highly efficient 'living flame' gas fire with all the glowing warmth you need

An efficient open-flame gas fire suitable for hearth or wall mounting.

The 2000 Extra gives practical efficiency, coupled with design and style. Choose from a wide range of fascia and trim options to make a real style statement, either contemporary or traditional.

Designed to be super efficient, the 2000 Extra is specifically made for chimneys or pre-cast flues.

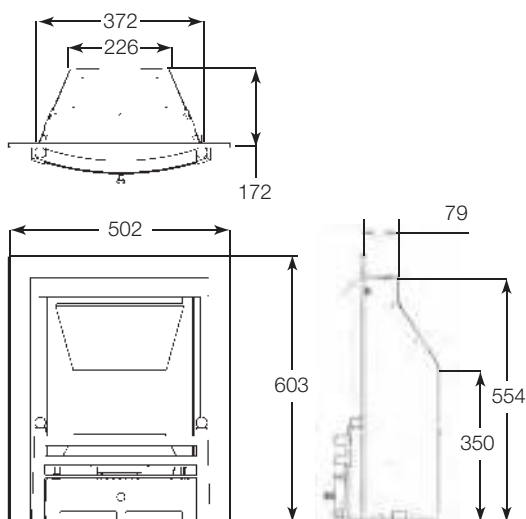
- Choice of manual, slide or battery-operated remote control complete the package
- Realistic coal fuel bed
- Includes a 5-year parts warranty, subject to terms and conditions
- Heat output of up to 4.0kW
- 63% efficiency

Choose the style and design to suit your home

A complete range of trim and fret options is shown on page 48-49.



Coal fuel bed.



Flue and hearth: The Paragon 2000 Extra range is designed to operate on pre-cast flues with a 75mm (3") rebated surround, or class I or II flues. The min. diameter of a circular flue is 125mm (5").

Ventilation: The Paragon 2000 Extra range does not normally require any purpose-built ventilation. Please note that within the island of Ireland, permanent ventilation must comply with the regulations currently in force.

Fire spacers: Two types of spacers are available to facilitate fitting the fire in the shallower flue openings: 20mm and 43mm.



2000 extra with chrome Profile trim, chrome Gate fret and coal fuel bed.



Features:

1

2



NG



4.0 kW



13

For specifications refer to the technical datasheet

Turbo 2000 Plus

The no chimney, no flue solution.

With a power flue, everyone can enjoy an open, living flame fire.

How a power flue works

If you do not have a chimney or flue but have a suitable outside wall, then a power flue fire can remove the fumes horizontally through the wall with the aid of a fan. This gives you the beauty of a living flame fire without glass panels.

Being at the forefront of gas fire technology has enabled Paragon to produce a world-beating range of 'Turbo' fires and with safety in mind, there's an electronic air-flow management system to ensure correct air flow is maintained.

Make your fire more efficient with the 'Heatsaver' fan cover – a new answer to an old problem*

All power flues have a flue pipe to the outside which when not in use can let some cold air back into the room. Paragon is the only company to have a device to reduce this. The optional Heatsaver cover is an interlocking electro-mechanical device that greatly reduces airflow into the flue when the fire is turned off.

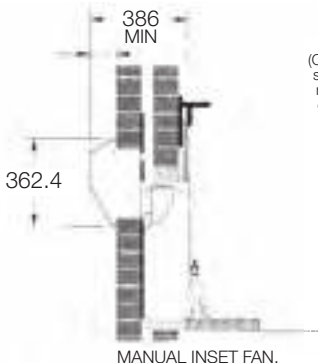
The power flue can be specified with a choice of trim and control options

Like all the 2000 Plus range, you can choose from a wide range of frets, trims, fire backs and fuel beds to tailor the fire to your personal taste.

* The Charlton & Jenrick heatsaver fan-cover is fully protected in the UK under patent number: GB2438866(B).

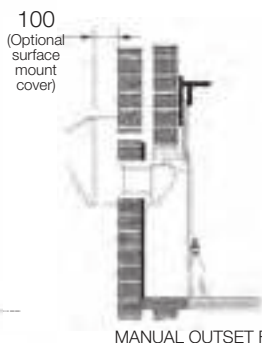


FIRE IN CAVITY WALL.
INSET FAN UNIT.



MANUAL INSET FAN.

FIRE IN CAVITY WALL.
FAN UNIT SURFACE MOUNTED.



MANUAL OUTSET FAN.

If the appliance is set back into the cavity, the space behind, to the sides and above must be insulated i.e. Rockwool. Minimum dimension will depend upon wall thickness.



The Heatsaver fan cover.



The standard fan cover.

Flue and hearth: A non-combustible hearth must extend a minimum 300mm (12") in front of the fire and 150mm (6") either side with a non-combustible depth of 50mm (2"), or a mini hearth at minimum 105mm (4 1/4") off the floor with depth of 100mm (4") and width of 505mm (20"). The fan unit protrudes outside the wall of your house. If this airspace is not your own, we recommend that you obtain the owner's written permission before proceeding. Standard flue length 435mm, optional flue length 1000mm.

Ventilation: The Paragon 2000 Plus Turbo does not normally require any purpose-built ventilation. Please note that within the island of Ireland, permanent ventilation must comply with the regulations currently in force. There are special rules for timber-framed houses.

Fits most chimneys and pre-cast flues

2000 Low Lintel

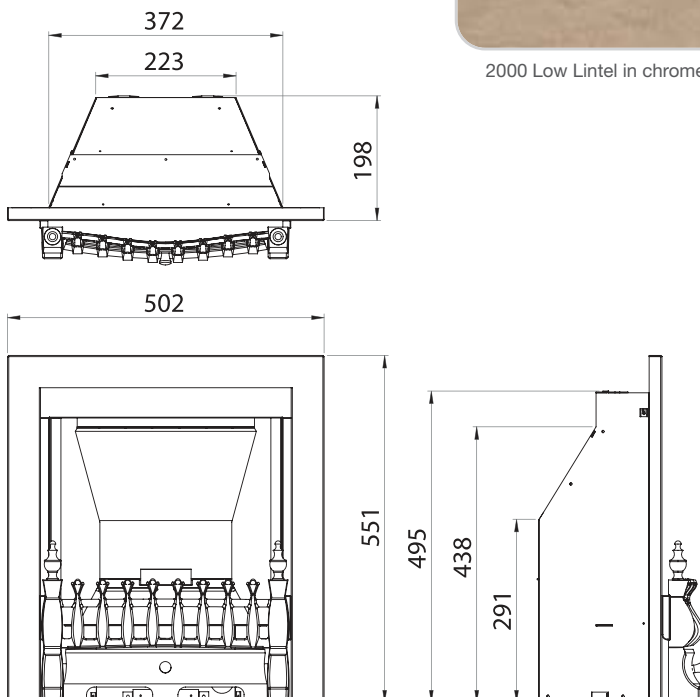
All the features and benefits of the Paragon 2000 Plus with a reduced-height fire box to fit into 20" openings.

Like the 2000 Plus, the 2000 low lintel is designed to fit most chimneys or pre-cast flues and has the added benefit of fitting under lintels that are 20 inches off the hearth.

- 3.6kW output Natural Gas fire
- 57% efficiency
- Realistic coal fuel bed
- Available in slide control
- Choice of brass or stainless steel trims
- 5-year parts guarantee, subject to terms and conditions



2000 Low Lintel in chrome shown with coal fuel bed.



2000 Low Lintel in brass shown with coal fuel bed.

Features:

1

2



NG

LPG



4.0 kW



15

For specifications refer to the technical datasheet

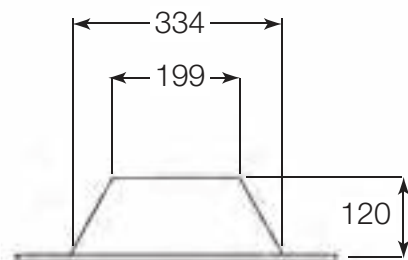
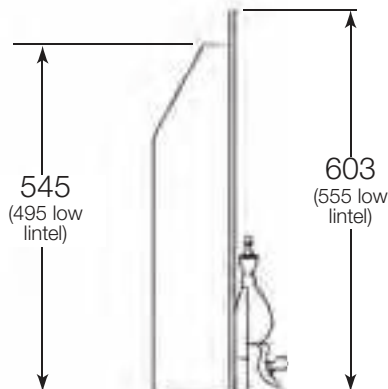
Fits most chimneys and pre-cast flues

Slimline 3

Slim, elegant and the perfect fire for virtually any chimney or flue.

With its remarkably slim profile, the Slimline 3 is especially designed for pre-cast flues but will fit almost any flue, from conventional chimneys to pre-fabricated flues.

- An advanced burner provides what is probably the most realistic flame effect and fuel bed with high-efficiency heat output
- Choice of trims and frets in four different finishes and three contemporary fascias; see pages 48 and 49 for full range
- Choice of coal or pebble fuel beds
- Choice of manual or slide controls
- A unique front of fire bed glow adds to the welcoming realism of this exquisite model
- A low lintel version is available for 20" high openings
- Fits majority of pre-cast flues on a 1" rebate
- Heat output 4.1kW
- 64.9% efficiency
- 5-year parts guarantee, subject to terms and conditions



Flue and hearth: The Slimline 3 range is designed to operate on pre-cast, class I and class II flues. The minimum diameter of a circular flue is 125mm (5") with minimum effective height of 3 metres. Pre-cast flues must be constructed correctly and the appliance must pass a spillage test upon installation. A non-combustible hearth extending a minimum of 300mm (12") in front of the fire and 150mm (6") either side, with a non-combustible depth of 50mm (2") is required. All chimneys and flues should be regularly checked for debris and efficiency and be swept where appropriate.

Ventilation: The Slimline 3 range does not normally require any purpose-built ventilation. Please note that within the island of Ireland, permanent ventilation must comply with the regulations currently in force.

Low lintel model: For fireplaces with a lower than standard fire opening, a reduced-height model (20") is available to special order.

Fire spacers: 20 and 42mm spacers are available for fitting fires into shallower flue openings.



Slimline 3 with brushed stainless steel Solar III fascia shown with pebble fuel bed.



Slimline 3 with brass trim and antique Wellington fret shown with coal fuel bed.

Love



Slimline 3 with brass Elite trim and coal fuel bed. Shown in Aylesbury limestone mantel.

Features:



For specifications refer to the technical datasheet

Fits most chimneys

Quality inset trays

For a beautiful, deeper fuel bed.



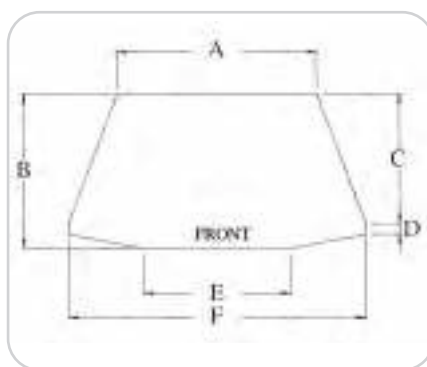
16" tray coal.



Inset tray.

At the heart of every living flame fire is the fuel bed. At Paragon we have designed our fuel beds to be safe, easy to use and generous in size.

- Choice of 16" or 18" wide fuel beds
- Manual or battery-operated remote control which, unlike most units, lights the pilot and adjusts the flame
- Coal fuel bed
- Suitable for class I chimneys, class II 5" lined or pre-fabricated flues
- Natural gas and LPG versions
- Super-safe Oxy-pilot turns off the gas in the unlikely event of depletion in the oxygen level in the room
- 5-year parts guarantee, subject to terms and conditions



Remote handset.

Dimensions	16"	18"
Overall Height (inc. coals)	300mm	300mm
Overall Width	390mm	440mm
Overall Depth (without fret)	210mm	210mm
A	258mm	307mm
B	206mm	206mm
C	174mm	174mm
D	14mm	14mm
E	190mm	190mm
F	385mm	435mm

Flue and Hearth: The Paragon 2016, 2018 Inset Trays require a Class I flue or chimney of a min. 7 inch (175mm) diameter or class II 5" lined or pre-fabricated flue with a min. effective height of 3 metres. A non-combustible hearth extending a min. of 12 inches (300mm) in front of the fire and 6 inches (150mm) either side, with a non-combustible depth of 2 inches (50mm) is required. Either the hearth itself or a fender must be at least 2 inches (50mm) tall to prevent combustible items sliding up to the fire.



For class I and II chimneys

Shelf Burners

For that extra-clean minimalistic look

These ingenious units are specially designed, decorative fires that can be fitted into the hearth in order to give that extra-clean minimal look.



If you wish to create your own fireplace feature using this fully remote-controlled fire, you can!

Shelf Burner fuel bed options

Choose from 6 different fuel beds, all with glowing embers.



Granular white fuel bed



Granular grey fuel bed



Ceramic pebble fuel bed



Ceramic extra pebble fuel bed



Ceramic coal fuel bed



Ceramic extra coal fuel bed

Features:



19

For specifications refer to the technical datasheet

The latest collection of **glass-fronted** gas fires from **Paragon**

Designed for today's homes with or without a chimney.

Choose the style to suit your home, whether traditional or contemporary, or even a hole-in-the-wall installation – all offering superb high-efficiency, class-leading performance.

Spoilt for choice

With Paragon's range of glass-fronted fires you are spoilt for choice, with options ranging from contemporary hole-in-the-wall fascias, traditional cast-iron fascias and a choice of various styles and designs featuring different finishes. Fires can be installed with or without a hearth and even in homes without a chimney.

More efficient than conventional products

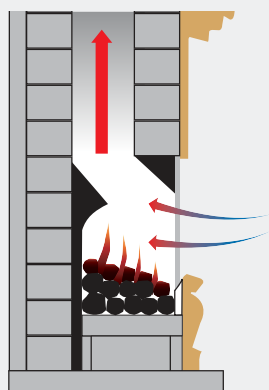
Fires working in a chimney draw warm air from the room into the chimney and it is then replaced by cold air from the outside. This air then has to be heated by the fire, reducing efficiency and increasing costs.

The Paragon Focus range has been scientifically designed to reduce this airflow to a minimum, changing the room air just once per hour against a typical open-fronted gas fire that will change room air up to 12 times per hour.

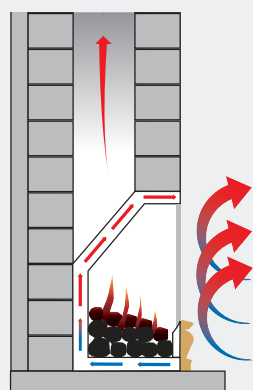
Minimum room air changes combined with superior thermal efficiency

achieved by ceramic glass-front technology give this range a new level of efficiency and performance.

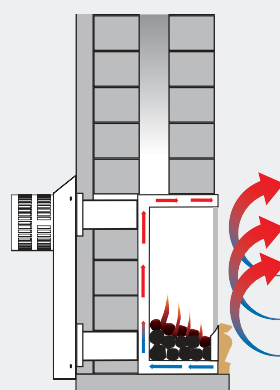
The Focus range of fires is now available for homes with or without a chimney and the fires are amongst the most efficient designs available.



Typical open-fronted gas fire changes room air up to 12 times per hour.



Paragon Focus HE changes room air just once per hour.



Paragon's Focus RS range does not produce any air changes per hour, as it is room sealed.





Contents

Glass Fronted

Focus HE Slimline	22
Focus HE Multi-Flue	24
Focus HE	26
Focus HE 18"	28
Focus RS Plus	30
Focus RS Plus 18"	32
Quartet CF	34
Symphony CF	36
Symphony BF	38
P4 Series	40
P8 Series	42
P6 Series	44

Cast Insert (Open Flame)

Chirbury Cast	46
---------------	----

Fret Options	48
---------------------	----

Trim Options	49
---------------------	----

Fascia Options	50
-----------------------	----

Specs & Dimensions	52
-------------------------------	----

Flue types	58
-------------------	----

Flue compatibility	59
---------------------------	----

Fits most chimneys and pre-cast flues

Focus HE Slimline

Now you can have a real fire even where space is limited

This attractive Focus Slimline fire is designed to give high efficiency in pre-cast flues and it fits easily into a 1" rebate fireplace.

- 3.0kW output
- 77% efficient ceramic glass technology
- Wide choice of trims and frets available
- Realistic coal fuel bed
- Suitable for pre-cast flues
- Slide control option to eliminate the need to bend down to light the fire*
- Excellent radiant heat output

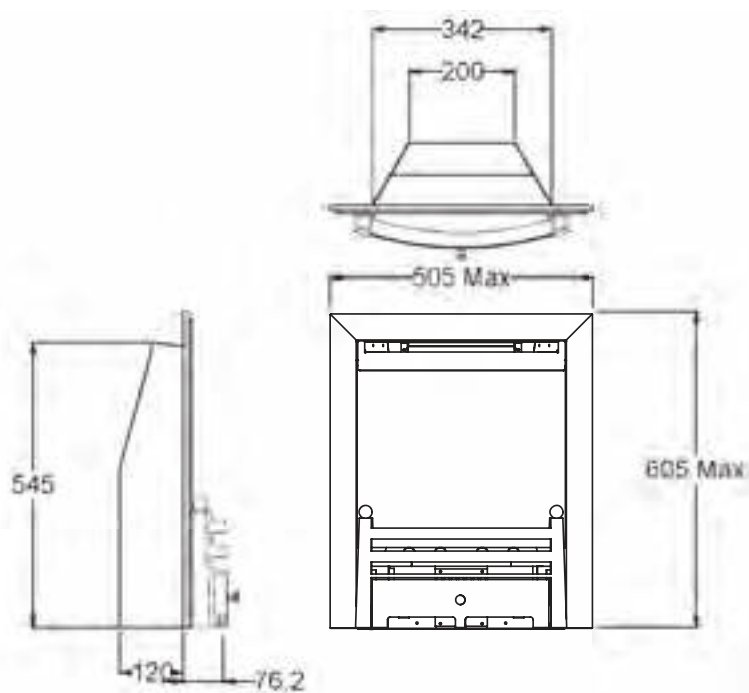
*Slide control is not available on hole-in-the-wall installations.



Focus HE Slimline brass Wellington fret and trim.



Focus HE Slimline chrome Gate fret and trim.





Focus HE Slimline in chrome Elite Trim.
Shown in Faro limestone mantel.

Fits most chimneys and pre-cast flues

Focus HE Multi-Flue

High-efficiency, glass-fronted gas fire designed to fit most chimneys and pre-cast flues

A medium-depth, high-efficiency gas fire that can fit most chimneys and pre-cast flues, giving maximum heat and efficiency

Heat and Efficiency

A class-leading, highly efficient, glass-fronted fire that fits in-between the Focus HE Slimline and the Focus HE fires.

- 3.5kW output
- 80.4% efficiency*
- Ceramic glass technology

Comfort and Control

Comes in a choice of manual and slide control versions.

- Manual control concealed behind the ashpan cover
- The slide control option allows you to operate the fire from the top corner of the fire so there is no need to bend down

Looks

There are a number of choices that can transform the style and look of the fire:

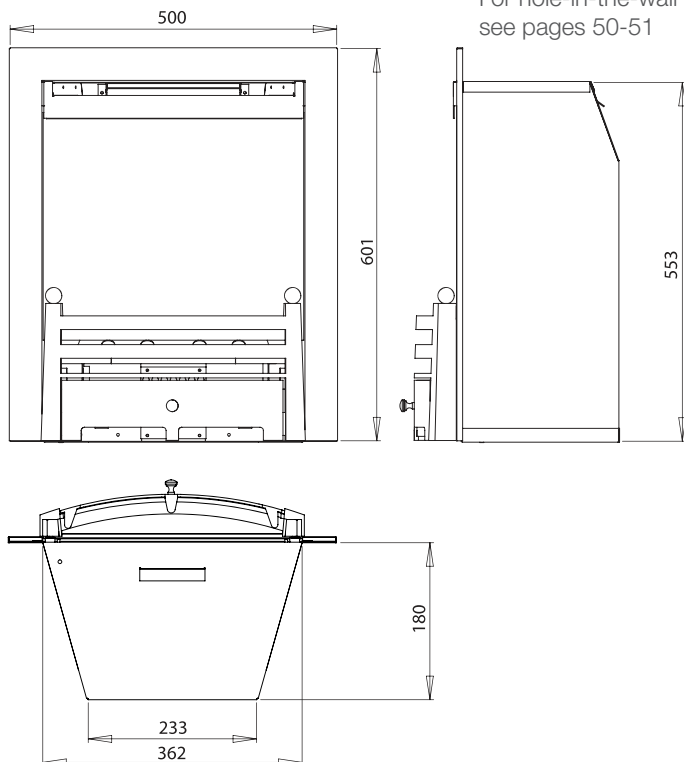
- Realistic coal fuel bed
- See page 49 for full list of trims available
- Contemporary hole-in-the-wall fascias
- Traditional cast-iron fascias

Flexible Design

- Only requires a 4" minimum hearth depth from the wall when floor mounted
- Can be mounted without a hearth with a 4-sided fascia
- Class I and II flues
- Natural gas

*Tested to British Standard BS 7977-1:2009+A1 :2013

For hole-in-the-wall options see pages 50-51



Focus HE Multi-Flue with brass trim and brass Gate fret.



Focus HE Multi-Flue with piano black Profile trim and fascia shown in Lydbury Neastone mantel.

Also available
as a hole-in-the-wall fire



Focus HE Multi-Flue with brass Profile trim and brass Gate fret.

- Features: 1 2  NG     3.5 kW  25

For specifications refer to the technical datasheet

Fits most chimneys

Focus HE

Gas fires with the new panoramic glass front

Contemporary designs offering efficient heating for homes with a chimney, to fit either hole-in-the-wall or mantel fireplaces.

Heat and efficiency

The new full-length glass window gives class-leading thermal efficiency.

- 4.4kW output
- 82% efficiency
- Ceramic glass technology

Comfort and control

- Manual control concealed behind 'ashpan' cover
- New, easy-to-operate slide lever control available to end the need to bend down to light the fire
- The ultimate luxury – full sequential remote control, the last word in ease of operation – it even lights the pilot each time to save gas

Looks

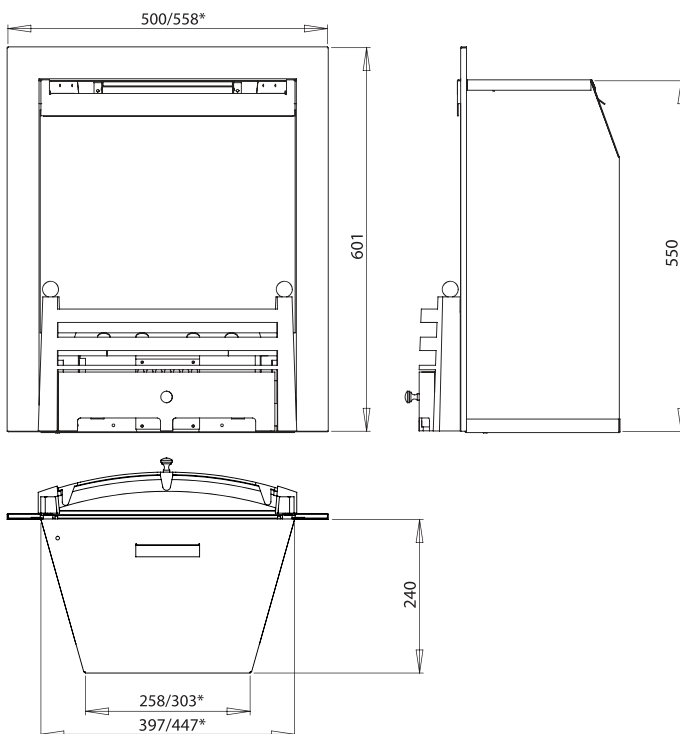
This fire can take on many different styles:

- Two fuel beds – coal or pebble
- 5 trim styles in up to 8 finishes
- 5 contemporary hearth and hole-in-the-wall fascias
- Pixilated edge glass for clean, neat styling

Flexible design

- Only requires a 4" minimum hearth depth from wall when floor mounted
- Can be mounted without a hearth with a 4-sided fascia
- Suitable for both Class I and 5" flue
- Natural gas or LPG

For hole-in-the-wall options see pages 50-51



Focus HE brass trim with antique Tulip fret. Shown with coal fuel bed.



Focus HE black Gate and trim. Shown with pebble fuel bed.



Focus HE in brushed stainless steel Solar III fascia on hearth. Shown with pebble fuel bed.

Also available
as a hole-in-the-wall fire



Focus HE with chrome trim & Gate fret.
Shown in Wroxeter limestone surround.

- Features:
- 1
 - 2
 - NG
 - LPG
 -
 -
 -
 -
 -
 - 4.4 kW
 -
 - 27

†† Not available for use with the Solar IV

For specifications refer to the technical datasheet

Fits most chimneys

Focus HE 18"

An extra-wide inset fire giving an exceptional fuel bed and flame

Now you can make the most of your fireplace with these stunning 18" wide traditional inset fires from Paragon.

18 inch wide fires had become a thing of the past due to the large gas input needed to get a decent flame, which also meant you needed additional ventilation in your room. The Focus HE gets around these problems with a fire that is designed to give a superb realistic flame picture from a modest 5.7kW input, meaning there is no need for additional ventilation.

- 5.7kW input, no need for added ventilation
- 4.2kW output
- 82% efficiency
- Extra-wide fuel bed and flame
- Suitable for both Class I and Class II flues
- Full sequence infra-red remote control that lights the pilot light as well as the fire, saving energy and carbon emissions
- Manual control also available
- Traditional or hole-in-the-wall installation
- Trim options: brass or chrome standard trims, brass, graphite or brushed stainless steel 3-sided Solar trims and graphite or brushed stainless steel 4-sided Solar trims (for hole-in-the-wall fitting)
- Fret options: brass, antique or chrome Blenheim and brass or EPNS (Electro-Plated Nickel Silver) Gate frets
- Two fuel beds – coal or pebble



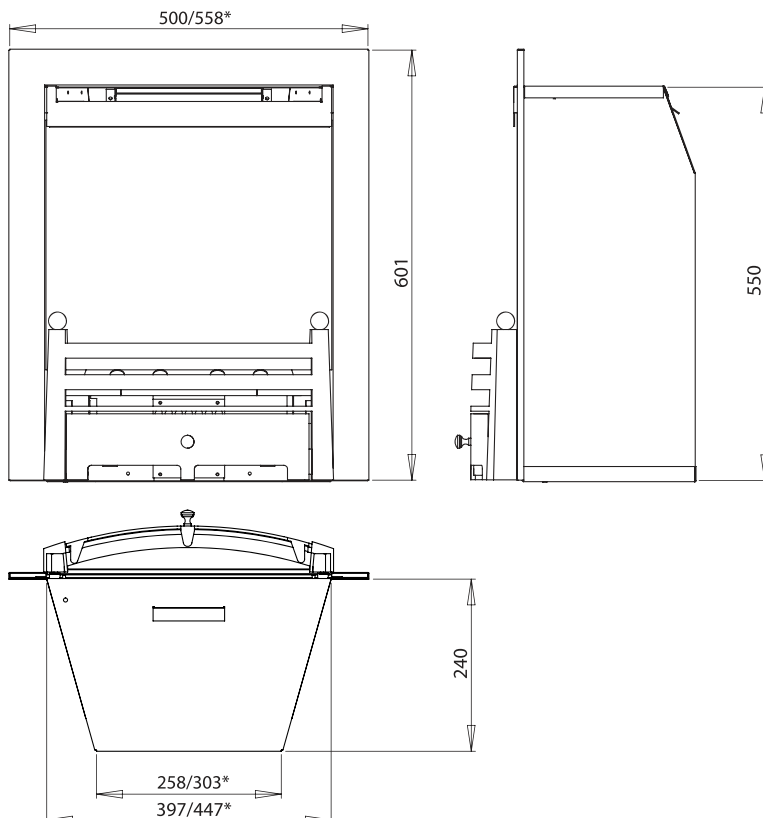
Focus HE 18" with brass Gate fret and trim, shown with coal fuel bed.



Focus HE 18" with EPNS Gate fret and chrome trim, shown with pebble fuel bed.



Focus HE 18 inch with brass trim & Antique Bridge fret. Shown in Radnor limestone surround.





Focus HE 18" with chrome trim & chrome Antique Bridge fret. Shown in Stokesay limestone surround.

Features:



For specifications refer to the technical datasheet

Focus RS Plus

One of the most efficient balanced-flue fires on the market



The award-winning Paragon RS was a trail blazer in putting the fire back into the fireplace rather than in front of it. The next-generation Focus RS Plus has been designed to build on this excellent foundation.

Heat and efficiency

- 4.3kW output
- 85% efficiency
- Meets the European Class One energy efficiency standard

Comfort and control

This fire may be specified with either:

- Manual control concealed behind 'ashpan' cover
- Slide control also available (on natural gas models only)
- The ultimate luxury – full sequential remote control, the last word in ease of operation – it even lights the pilot each time to save gas

Looks

The Focus RS Plus can take on many different styles:

- 2 fuel beds: coal and pebble
- 5 trim styles in up to 8 finishes
- Contemporary hole-in-the-wall and hearth-mounted fascias
- Pixilated edge glass for clean, neat styling

Flexible design

- Only requires a minimum of 4" hearth depth from the wall if floor mounted
- Can be mounted without a hearth using a 4-sided fascia
- Can be mounted in up to 1.18 metre thick wall. This makes it the fire of choice for houses where the chimney has either failed or been removed at roof level.

For the complete range of trim and fret options available, see pages 48-49.

For hole-in-the-wall options see pages 50-51.



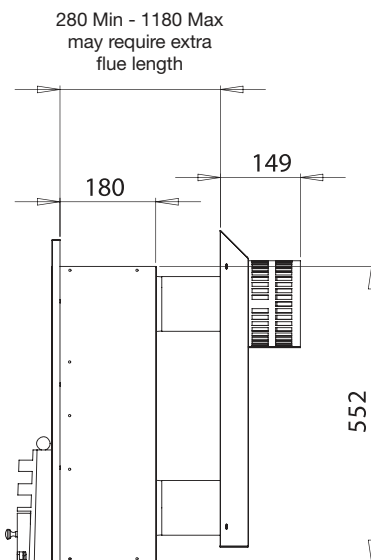
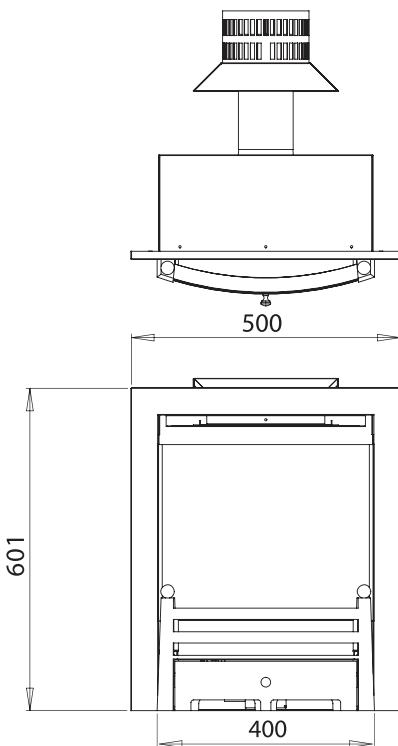
Focus RS Plus brass trim with brass Gate fret. Shown with coal fuel bed.



Focus RS Plus brass trim with brass Tulip fret. Shown with coal fuel bed.



Focus RS Plus chrome trim and Gate fret. Shown with pebble fuel bed.





Focus RS Plus with chrome Cast fascia.
Shown in Stonehenge limestone surround.

Features:



NG

LPG



4.3
kW



31

For specifications refer to the technical datasheet

Focus RS Plus 18"

An extra-wide balanced-flue inset fire

Combining one of our most efficient balanced-flue fires with an extra-wide inset to create the Focus RS Plus 18"

Forget preconceptions of past 18" fires, which required a large gas input, our award-winning Paragon Focus RS has an extra-wide firebox, giving an exceptional fuel bed and flame without the need for additional ventilation.

Heat and efficiency

- 5.2kW input
- 3.9kW output
- 85% efficiency

Looks

The Focus RS Plus 18" can take on many different styles:

- Extra-wide fuel bed and flame
- 2 fuel beds – coal or pebble
- Trim options: brass or chrome standard trims, brass, graphite or brushed stainless steel 3-sided Solar trims and graphite or brushed stainless steel 4-sided Solar trims (for hole-in-the-wall fitting)
- Fret options: brass, antique or chrome Blenheim and brass or EPNS (Electro-Plated Nickel Silver) Gate frets
- Manual control or full sequence infra-red remote control
- Traditional or hole-in-the-wall installation

Fuel bed options

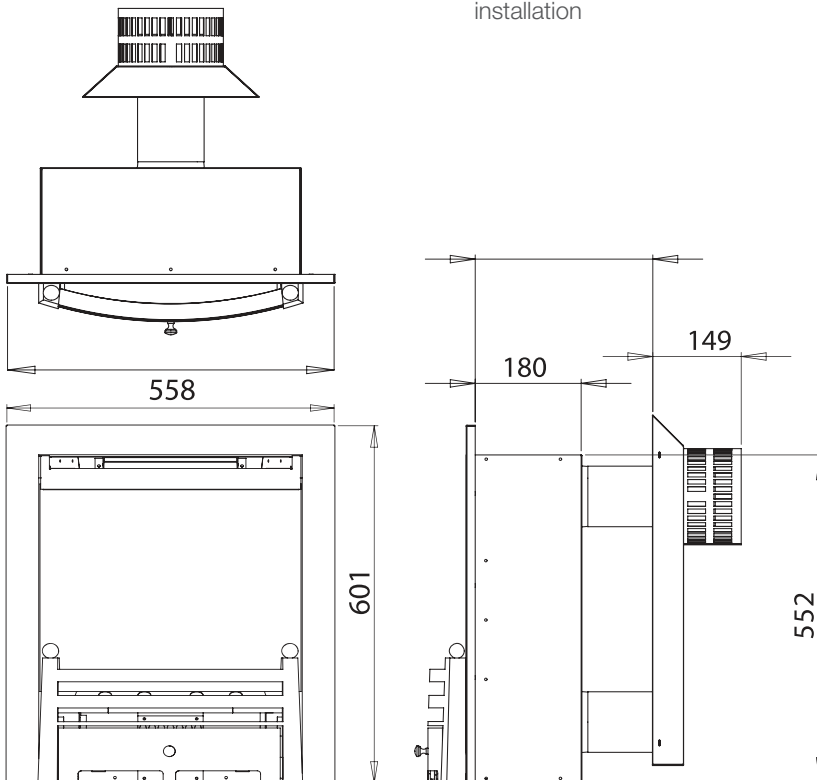
Choose from pebble or coal fuel bed



Pebble fuel bed



Coal fuel bed



*For the complete range of trim and fret options see pages 48-49.
For hole-in-the-wall options see pages 50-51.*



85% efficiency



Focus RS 18" with brass trim and Gate fret. Shown with a coal fuel bed.



Focus RS 18" with chrome trim and EPNS Gate fret. Shown with a pebble fuel bed.

- Features:
- 
 -  NG
 - 
 - 
 - 
 -  3.9 kW
 -  33

For specifications refer to the technical datasheet

Fits most chimneys

Quartet CF

Setting the standard in efficiency for hole-in-the-wall fires.

The stunning Quartet conventional flue from Paragon offers a stylish mid-sized hole-in-the-wall gas fire that will enhance any modern living room and produces 84% efficiency.



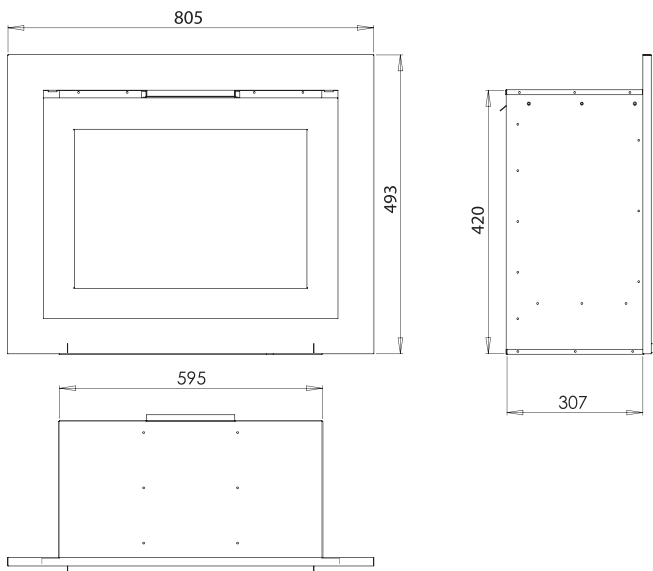
Quartet CF with Polished stainless steel outer and graphite inner trims with Paragonite fuel bed.

The Quartet CF has all the look and feel of the popular landscape open-fronted gas fires, but at the same time is an extremely impressive 84% efficient to meet today's conscientious customer demands.

Because of the size of the Quartet CF, it can be installed in fireplaces with low lintels and still offer good ground clearance for that desirable hole-in-the-wall look.

Choose either a log bed or a pack containing both Paragonite stone & Carrara marble.

- 3.0kW output
- 79% efficiency
- Full sequence infra-red remote control that lights the pilot light as well as the fire, saving energy and carbon emissions
- Suitable for both Class I and Class II flues
- Glass-fronted high efficiency
- Outer trim options: polished stainless steel or brushed stainless steel
- Inner trim options: graphite or black
- Full black glass trim option



Fuel bed options for Quartet CF

Choose either a log bed or a pack containing both Paragonite stone & Carrara marble.



Paragonite fuel bed.



Carrara marble pebbles fuel bed.



Log fuel bed.



Quartet CF with full black glass trim and log fuel bed.



Quartet CF with Brushed stainless steel outer and black inner trim with Carrara marble pebbles fuel bed.

Features:

1

2

NG



3.0 kW



35

For specifications refer to the technical datasheet

Fits most chimneys

Symphony CF

Large deep fires that add presence to any modern interior

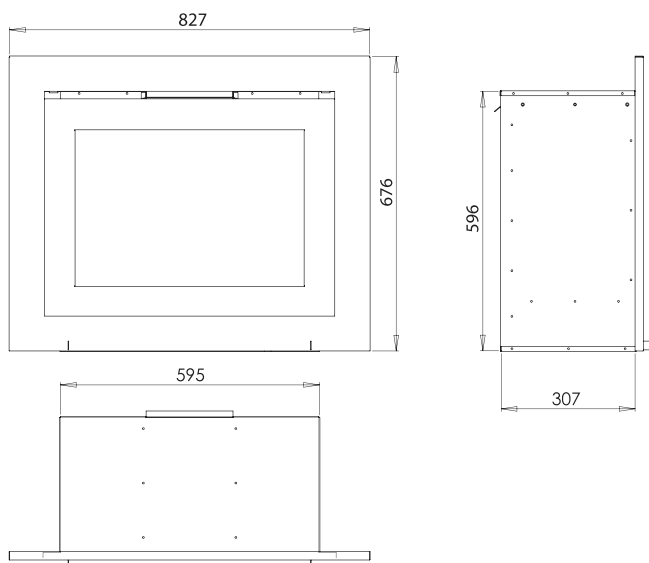
The Paragon Symphony CF is a large contemporary conventional flue fire for hole-in-the-wall or fireplace installation.

Like the Quartet, this glass-fronted fire has the look and feel of the popular landscape open-fronted fires, but at the same time it has an extremely impressive 84% efficiency to meet today's conscientious customer demands.

The Symphony is the ultimate combination of style, design and efficiency, setting new standards in gas hole-in-the-wall fires.

A log-effect fuel bed with embers and bark provides a very realistic and warming flame.

- 5.5kW input
 - 4.0kW output
 - 80% efficiency
 - Suitable for both Class I and Class II flues
 - Hole-in-the-wall installation
 - Full sequence infra-red remote control that lights the pilot light as well as the fire, saving energy and carbon emissions
- Trim options:
 - flat polished or brushed stainless steel outer & black or graphite inner trims
 - chrome or black Ceres 3-sided trims
 - curved black glass trim
 - Fuel bed: log



Symphony CF in brushed stainless steel outer/ graphite inner trim for hole-in-the-wall application.



Symphony CF in polished stainless steel outer/ black inner trim for hole-in-the-wall application.



Symphony CF in chrome Ceres 3-sided trim for hearth mounting.



Symphony CF with curved black glass trim and log fuel bed.

Features:

- 1
- 2
- NG
-
-
- 4.0 kW
-
- 37

For specifications refer to the technical datasheet

Symphony BF

Symphony – a fusion of innovation, style and efficiency

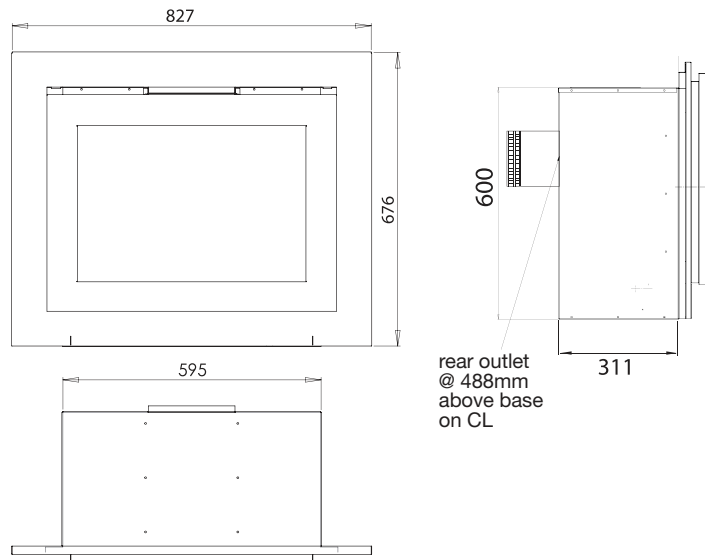
The Paragon Symphony, balanced-flue fire is an idea that moves a concept to another level.

Large balanced-flue fires like this have been made before, but until now they have involved a false chimney breast being built to contain the flue.

The Symphony BF removes the need for this and can be installed on any suitable outside wall in a fireplace of the correct rebate.

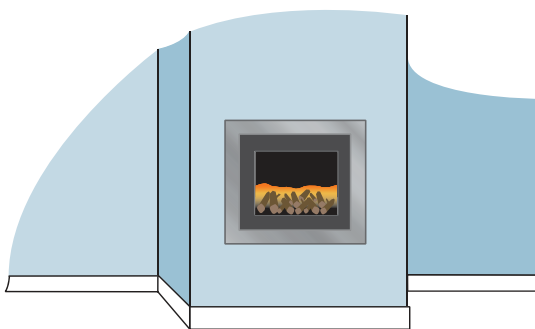
This is but one of many innovative ways of installing it in your home. It can be flued vertically as a new installation or retro-fitted through a disused chimney breast. If there is no suitable outside wall, the fire can be sited up to 5 metres from an external wall and still give you the unrivalled safety and efficiency of a room-sealed balanced-flue fire.

For full details of flue options, ask your dealer for more information.

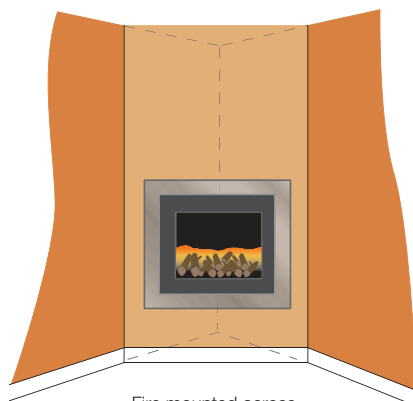


Traditional or hole-in-the-wall installation

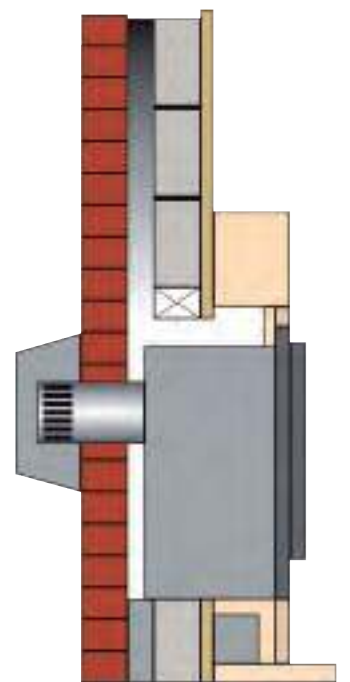
- 90% efficiency – meets the European Class One energy efficiency standard
- Ultra-realistic logs with embers and bark, providing soft relaxing flames
- Can be rear flued in deep rebate mantel to avoid false chimney breast
- A choice of inner and outer trims (see page 51 for more details)
- Fire can even be mounted across the corner of the room
- 4.5kW output
- Flexible installation
- Full remote control



Fire mounted in false chimney.



Fire mounted across corner of room.



Rear flued in deep rebate mantel, avoiding false chimney breast.

Also available for use with a range of mantels



Symphony BF in Black Ceres 3-sided trim for hearth mounting.



Symphony BF shown in polished stainless steel/black trim for hole-in-the-wall application.

Features:



For specifications refer to the technical datasheet

Fits most chimneys

P4 Series

Introducing the versatile P series gas fires

The Paragon P4 series is a modern 500mm wide gas fire that can be installed in your home in three different ways, offering the maximum versatility and a look to suit all.

Fits easily as a complete suite or hole-in-the-wall fire

The large 20" glass-fronted P4 fits most back panels and surrounds, making it an ideal fire for fireplace suite packages, and offers a substantial upgrade from a standard 16"/18" glass-fronted fire for very little cost difference.

This appliance redefines the rules of what fires can be used in a fireplace suite. The P4 when used in a suite with most 3" rebated surrounds is free of an external trim frame and as a result can enhance and complement a multitude of traditional or modern fireplace designs. Sized to fit fireplace openings of a minimum 500mm wide and 555mm high, the P4 is a good size for smaller chimney breasts or moderately sized fireplace suites.

The fire can also be fitted "frameless" into a wall for the modern, minimalistic look. There is also an optional slip kit available should you wish to fit in the wall and finish the edge with marble or stone slips.

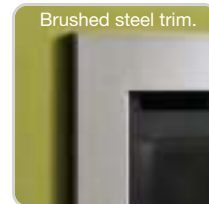
- 4.05kW output from modest 5.5kW input
- Matt black firebox liners
- Realistic log flame effect
- 82% efficient to BS7977-1: 2009 + A1: 2013 (as amended)
- Simple slip kit available
- Choice of Graphite or Stainless Steel trim



P4 shown as a hole-in-the-wall fitting.



P4 hole-in-the-wall shown with brushed steel trim.



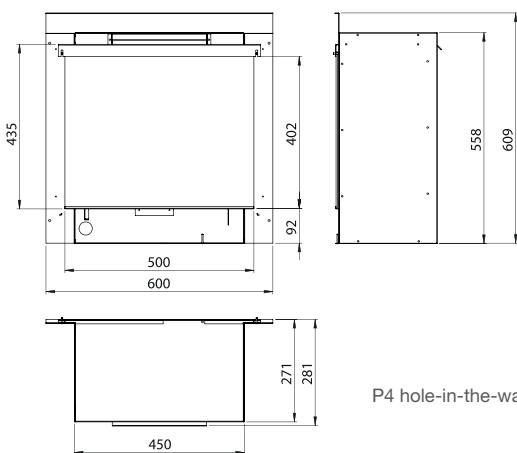
Brushed steel trim.



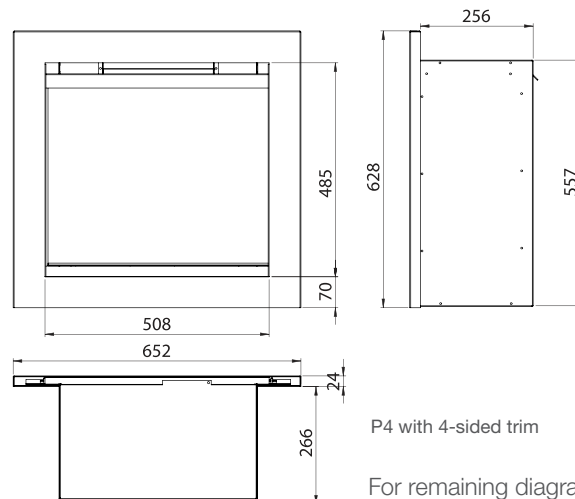
Graphite trim.

Choice of two trims

The third way the fire can be installed is again in the wall but with a trim around the fire to give a traditional hole-in-the-wall look. The fire is launched with a choice of either brushed stainless steel or graphite trims.



P4 hole-in-the-wall



P4 with 4-sided trim

For remaining diagrams see page 56



P4 shown in Beckford surround.



P4 shown in Boscombe surround.



P4 shown in Aylesbury surround.



P4 shown in Wave surround.



P4 shown in Stokesay surround.

Features:



For specifications refer to the technical datasheet

Fits most chimneys

P8 Series

A big, 31" super-efficient panoramic gas fire

Like the P4, the P8 is a truly versatile fire that can be fitted in a variety of ways in either modern or traditional settings depending on preference.

A flexible design that can fit flush to the wall or into its own trim or suite – the choice is yours



Like all P series, the P8 offers the ultimate in cost-effective efficiency

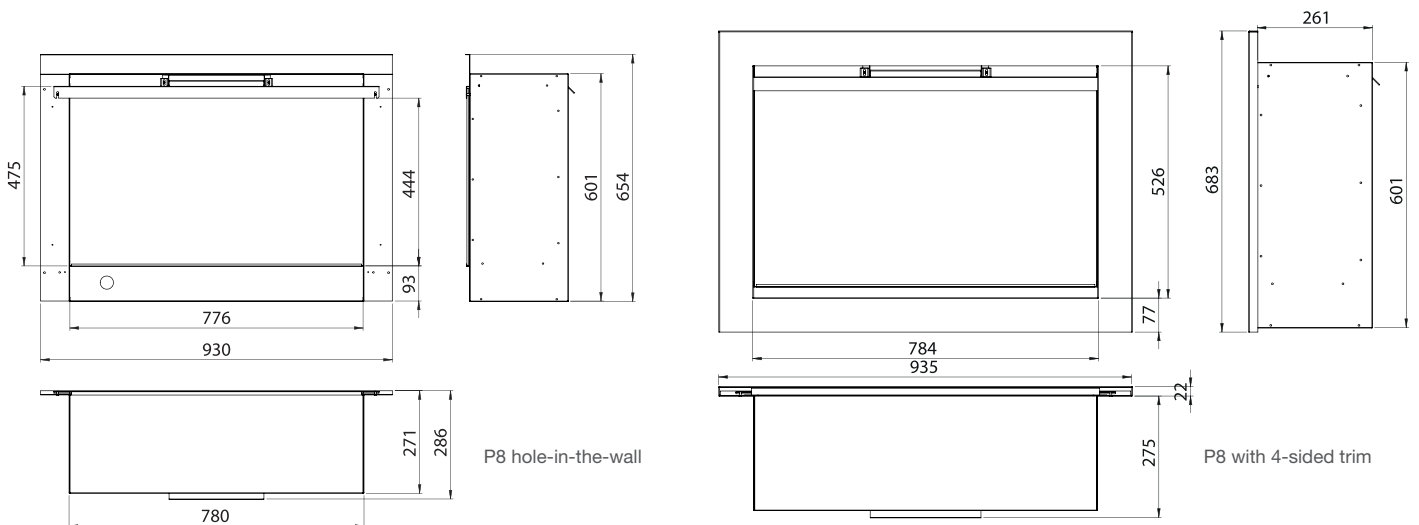
- Realistic flame effect from efficient 6.6kW input
- 81% net efficiency approved to the latest amended British Standard BS7977-1: 2009 + A1: 2013 (as amended)
- Output 4.8kW
- Battery remote control
- Choice of metal trims, graphite or stainless steel
- Choice of glass trims, black, white or red glass



P8 hole-in-the-wall shown in white glass trim.



P8 hole-in-the-wall shown in black glass trim.



For remaining diagrams see pages 56-57



P8 hole-in-the-wall shown in graphite trim.

P8 shown in the Modern limestone surround.

P8 hole-in-the-wall shown as contemporary flush fitting application.



Features:



For specifications refer to the technical datasheet

Fits most chimneys and pre-cast flues

P6 Series

Brings the luxury of a living flame fire into any room

This three-sided wall hanging fire can fit on all flue types including pre-cast, making it a classic possibility for the majority of UK living rooms.

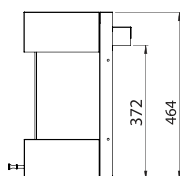
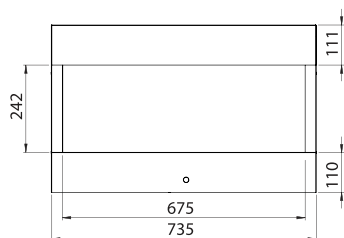
Specifically designed to fit pre-cast flues and look good on shallow chimney breasts

Being outset from the wall with the three sides offer a fantastic panoramic view of the flames wherever you sit in the room.

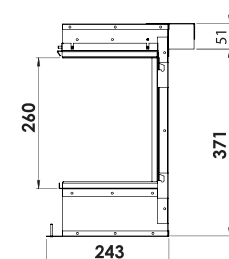
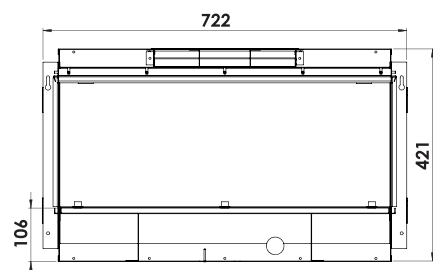
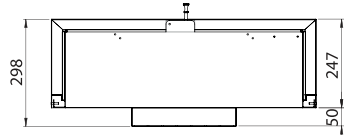
Easy to control, finger-tip manual operation

The manual control lever offers easy-to-use manual operation whilst adding to the aesthetics of the overall look of the fire.

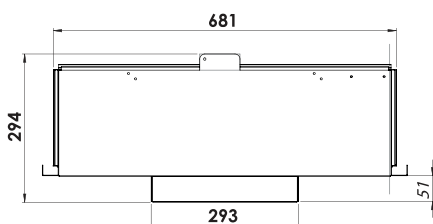
- Realistic flame effect from efficient 6.6kW input
- 82% net efficiency approved to the latest amended British Standard BS7977-1: 2009 + A1: 2013 (as amended)
- Output 4.1 kW
- Elegant manual control
- Comes complete with a graphite metal fascia
- Easily fitted into a pre-cast flue



P6 with fascia



P6 with firebox





Features:

1

2



NG



4.1 kW



45

For specifications refer to the technical datasheet

Chirbury Cast

Chirbury Performance Combo Cast

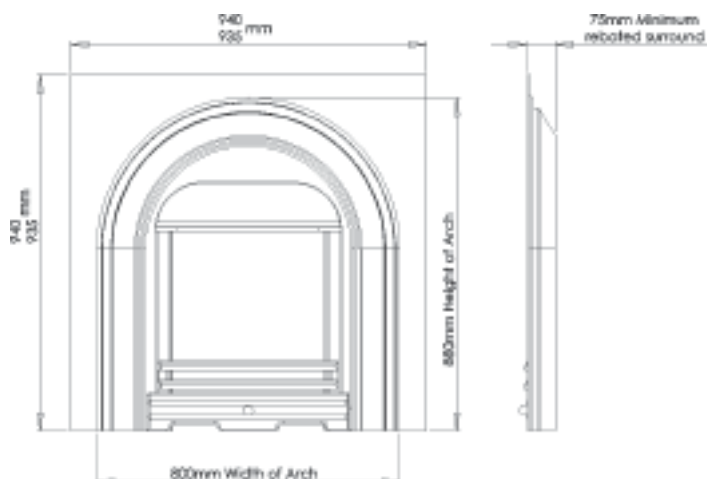
The Performance Combo provides the traditional Victorian cast fireplace appearance with the advantage of a gas fire of a higher performance and efficiency, which would not normally be available with a traditional cast.

This patented system is designed to work with a range of gas fires from Charlton & Jenrick including the Paragon One, Paragon 2000 Plus & Slimline 3 fires in this brochure. (Manual and remote versions only.)

This cast is also designed for use with our glass-fronted gas fires. The cast allows for easy removal of the fire for its annual servicing, something that many casts can't facilitate.



*A large selection of casts are available.
Please contact us for more details.*





Paragon One in Chirbury cast with coal fuel bed and shown in Wentworth natural oak fireplace from Katell.

Choose the perfect fret for your fire

Fret options

Wellington fret



Wellington brass.



Wellington antique.



Wellington EPNS/chrome.



Wellington black.

Tulip fret



Tulip brass.



Tulip antique.



Tulip black.

Gate fret



Gate brass.



Gate chrome.

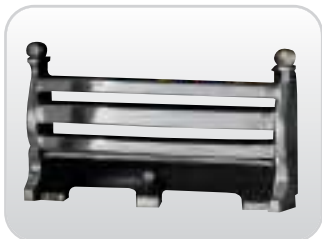


Gate black.

Antique Bridge fret



Brass Antique Bridge.



Chrome Antique Bridge.

Bayswater fret



Bayswater chrome.



Bayswater brass.

Fret Compatibility

Model	Wellington	Tulip	Gate	Bridge	Bayswater
Paragon One	✓	✓	✓	✓	✓
Convactor P1	✓	✓	✓	✓	✓
2000 Plus	✓	✓	✓	✓	✓
2000 Extra	✓	✓	✓	✓	✓
Turbo 2000 Plus	✓	✓	✓	✓	✓
2000 Low Lintel	✓	✓	✓	✓	✓
Slimline 3	✓	✓	✓	✓	✓
Focus HE Slimline	✓	✓	✓	✓	✓
Focus HE Multi-Flue	✓	✓	✓	✓	✓
Focus HE	✓	✓	✓	✓	✓
Focus HE 18" *	✓	✗	✓	✓	✓
Focus RS Plus	✓	✓	✓	✓	✓
Focus RS Plus 18" *	✓	✗	✓	✓	✓

* These require the larger 18" versions where available in certain models. May not be available in all colour options so please check with your retailer.

Choose the perfect trim for your fire

Trim options

Quartet CF trim options



Brushed stainless steel & black.



Polished stainless steel & graphite.



Black glass.

or a combination of the two

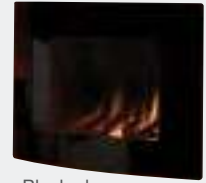
Symphony CF and BF trim options



Brushed stainless steel & graphite.



Polished stainless steel & black.



Black glass.

or a combination of the two

P4 and P8 series trim options



Brushed steel trim.



Graphite trim.



White glass.



Black glass.



Red glass.

Standard trim Available for Manual, Slide Control & Remote fires



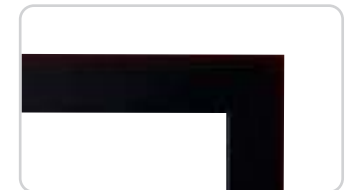
Brass.



Brushed stainless steel.



Chrome.



Black.

Profile trim** Available for Manual & Remote fires only



Chrome.



Piano black.



Brass.

Contrast trim Available for Manual, Slide Control & Remote fires



Brass.

Trim Compatibility*

Model	Standard	Contrast	Profile
Paragon One	✓	✓	✓
Convector P1	✓	✓	✓
2000 Plus	✓	✓	✓
2000 Extra	✓	✓	✓
Turbo 2000 Plus	✓	✓	✓
2000 Low Lintel	✓	✗	✗
Slimline 3	✓	✓	✓
Focus HE Slimline	✓	✓	✓
Focus HE Multi-Flue	✓	✓	✓
Focus HE	✓	✓	✓
Focus HE 18" **	✓	✗	✗
Focus RS Plus	✓	✓	✓
Focus RS Plus 18" **	✓	✗	✗

* Trim types may not be available in all colour options for all control types. Please ask your retailer who can discuss options with you.

**These require the larger 18" versions where available in certain models. May not be available in all colour options so please check with your retailer.

Choose the perfect fascia for your fire

Fascia options

Complete trim and fret bar in one

Simply put, a fascia is a trim and fret in a complete unit

On this page you will find a collection of fascias that fit the Paragon range of gas fires in this brochure. The table on the bottom of the opposite page will guide you to which fascias can be used with the specific gas fires.

Three-sided fascias are designed to sit on the hearth in a traditional setting. Four-sided fascias offer that modern look and are for hole-in-the-wall installations where all four sides are on show.



2000 Plus Solar IV in brushed stainless steel shown with pebble fuel bed.

Solar IV models feature mitre-free corners – laser-profiled out of a single sheet of metal.

Solar fascia options – available in 5 variations

Solar IV 16" fascia/18" fascia

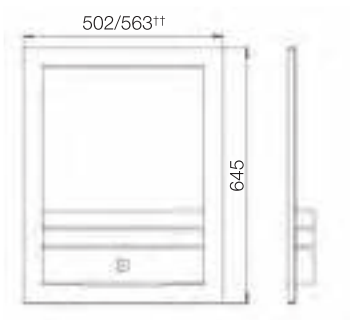
Available for Manual & Remote fires.



Solar IV graphite 4-sided



Solar IV brushed stainless steel 4-sided



Solar III 16" fascia/18" fascia

Available for Manual, Slide Control & Remote fires.



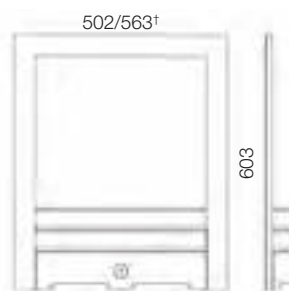
Solar III brass 3-sided



Solar III brushed stainless steel 3-sided



Solar III graphite 3-sided



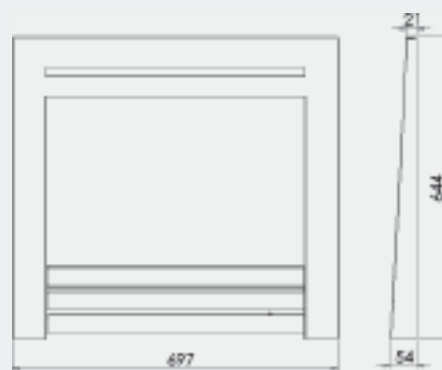
Ceres fascia – Symphony Only



3-sided black



3-sided chrome



Cast fascia options

Available for Manual, Slide Control & Remote fires
(for Slide there is a removal section from the manual trim to allow for the slide lever).



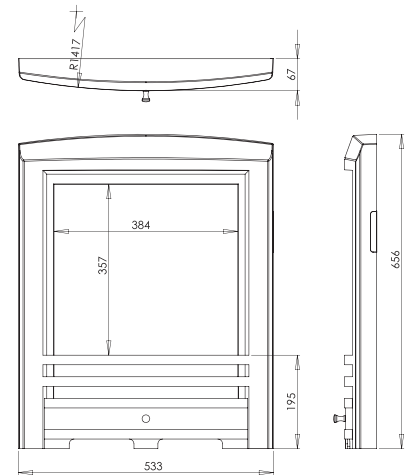
Cast brass fascia



Cast black fascia



Cast chrome fascia



Cast Square fascia options

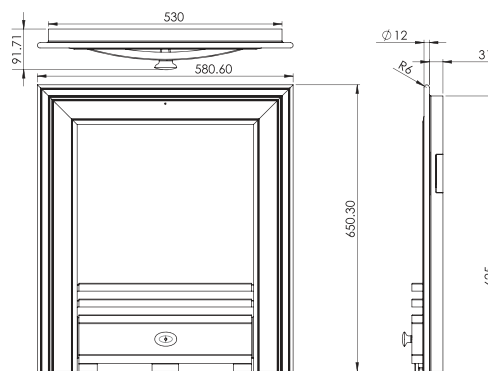
Available for Manual, Slide Control & Remote fires
(for Slide there is a removal section from the manual trim to allow for the slide lever).



Cast Square chrome fascia



Cast Square brass fascia



Profile fascia options

Available for Manual & Remote fires.
To use the Profile fascia on a glass-fronted fire the fret top plate **must** be removed.



Profile chrome fascia



Profile piano black fascia

Fascia Compatibility*

Model	Solar IV	Solar III	Cast	Profile†	Elite
Paragon One	✓	✓	✓	✓	✓
Convector P1	✓	✓	✓	✓	✓
2000 Plus	✓	✓	✓	✓	✓
2000 Extra	✓	✓	✓	✓	✓
Turbo 2000 Plus	✓	✓	✓	✓	✓
Slimline 3	✓	✓	✓	✗	✓
Focus HE Slimline	✓	✓	✗	✗	✓
Focus HE Multi-Flue	✓	✓	✗	✗	✓
Focus HE	✓	✓	✓	✓	✓
Focus HE 18***	✓	✓	✗	✗	✗
Focus RS Plus	✓	✓	✓	✓	✓
Focus RS Plus 18***	✓	✓	✗	✗	✗

* Fascias may not be available in all colour options for all control types. Please ask your retailer who can discuss options with you.

**These require the larger 18" versions where available in certain models. May not be available in all colour options so please check with your retailer.

† To use the fascia on glass-fronted fires the fret top plate **must** be removed.

Elite trim fascia Available for Manual, Slide Control & Remote fires



Chrome.



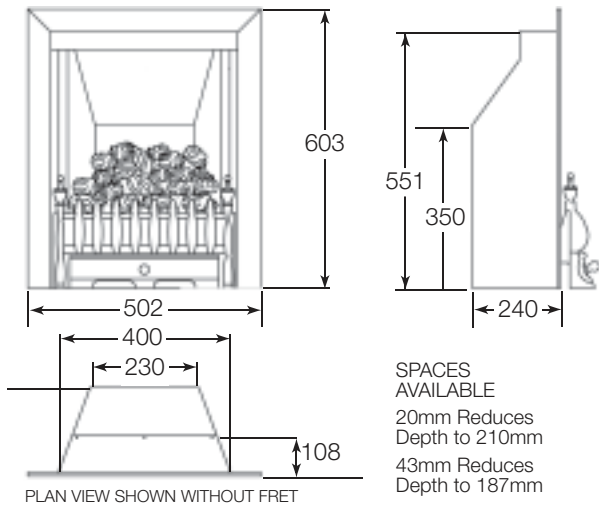
Satin.



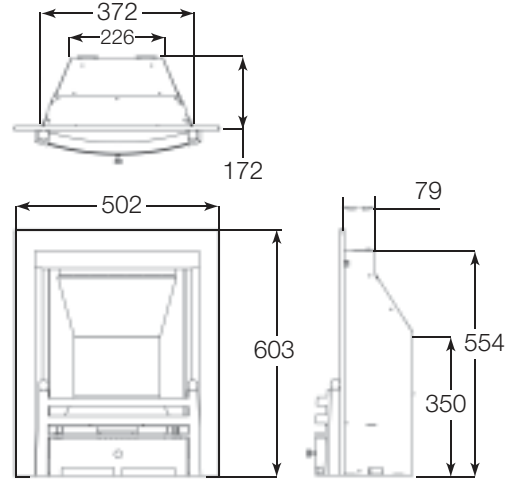
Brass.

Open flame

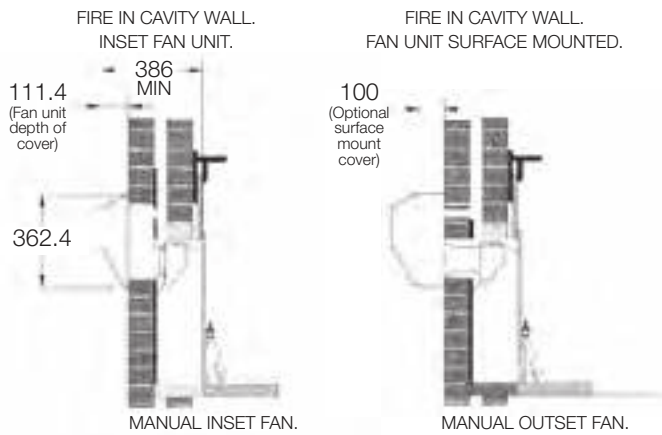
Paragon One



The 2000 Plus Range

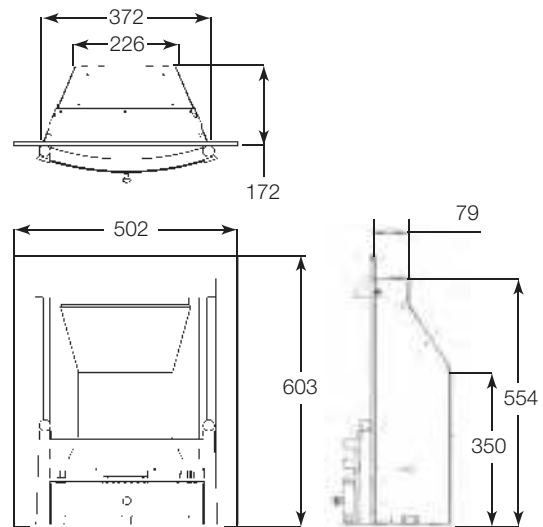


2000 Plus Turbo Range

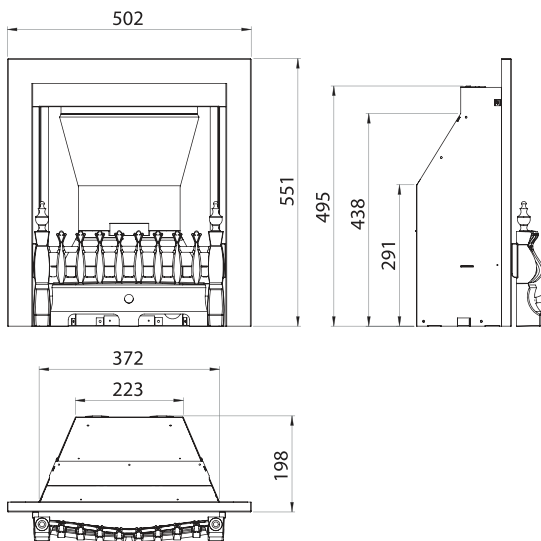


If the appliance is set back into the cavity, the space behind, to the sides and above must be insulated i.e. Rockwool. Minimum dimension will depend upon wall thickness.

2000 Extra

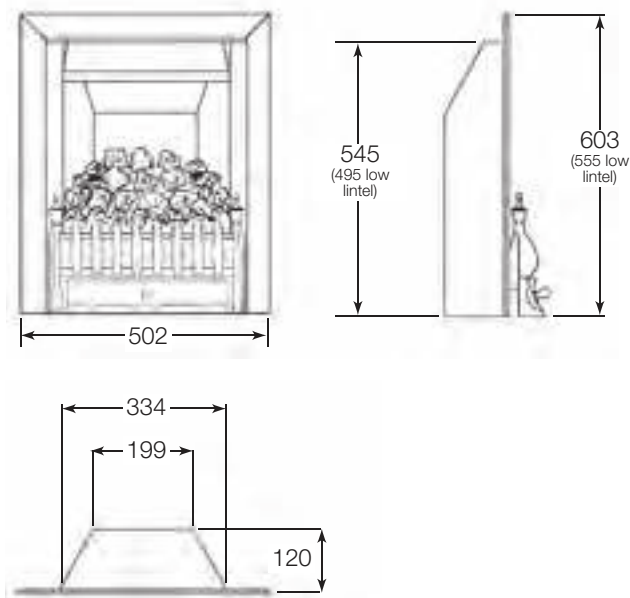


2000 Low Lintel

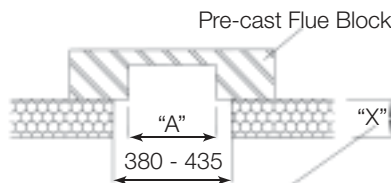
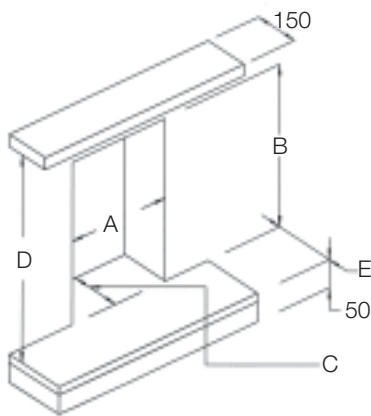
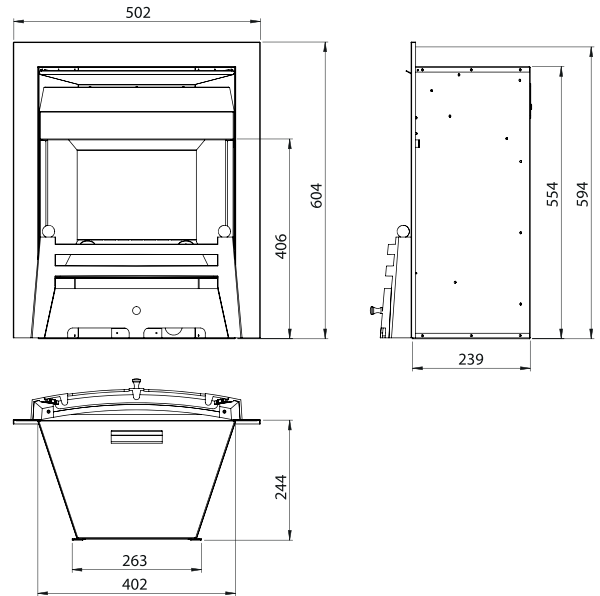


 For expert advice and new product information follow us on twitter: @cJfires

Slimline 3 Range



Convactor P1



ADDITIONAL DEPTH INCLUDING PLASTER AND FIREPLACE

SPACER "A"	"X" MINIMUM (including plaster)		
	NONE	20mm	42mm
300	83	63	41
310	70	50	28
320	60	40	18
2000	300	30	10
Slimline	320	15	0

Heat Inputs, Outputs and Efficiency

Model	high	Input		Net Efficiency (%)	Output (upto)	
		NG (kW)	LPG (kW)		NG (kW)	LPG (kW)
Paragon One	H	7.0	N/A	55.5	3.5	N/A
Convactor P1	H	7.0	N/A	70.4	4.44	N/A
2000 Plus Series	H	7.0	6.65	56.6	3.56	4.0
2000 Extra	H	7.0	N/A	63.0	4.0	N/A
2000 Low Lintel	H	7.0	6.65	56.8	3.56	N/A
Slimline 3	H	7.0	N/A	64.9	4.1	N/A
Inset Tray 16"	H	7.0	7.0	-	-	-
Inset Tray 18"	H	10.25	10.0	-	-	-

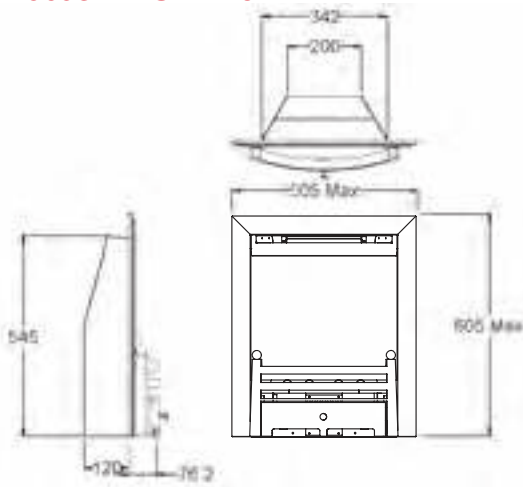
All the above are tested to BS7977-1: 2009 +A1 2013.

Measurements All dimensions in mm							
	A	B	C	D	E		
Max opening width							
Min opening width							
Max opening height							
Min opening height							
Min opening depth							
Min height for combustible shelf							
Min hearth depth							
Min height from floor for no hearth							

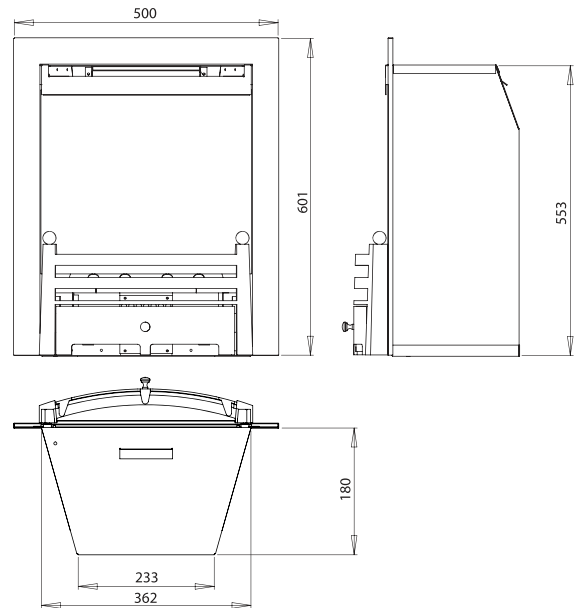
* 458 mm if cable fixing used.

Glass fronted

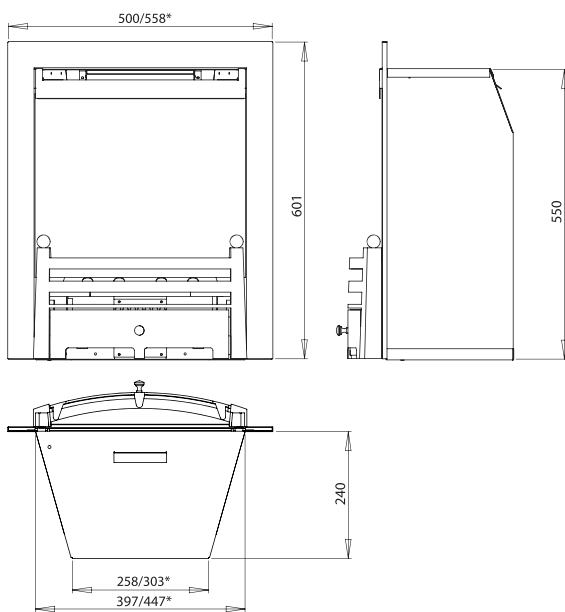
Focus HE Slimline



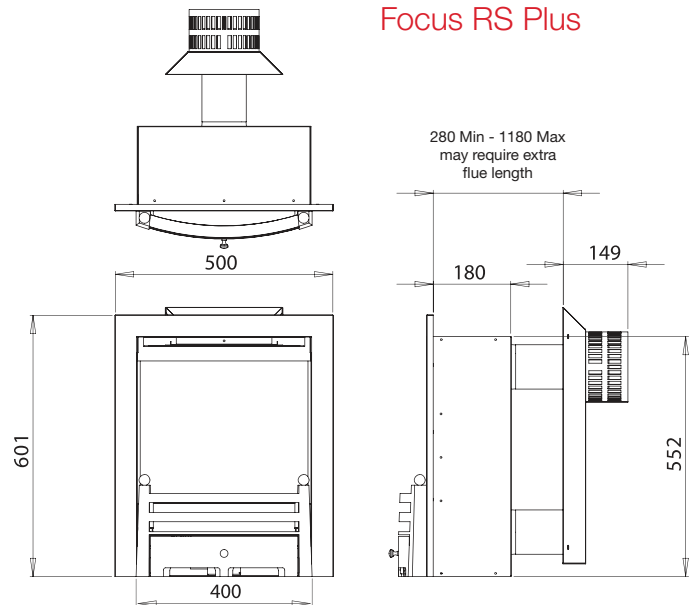
Focus HE Multi-Flue



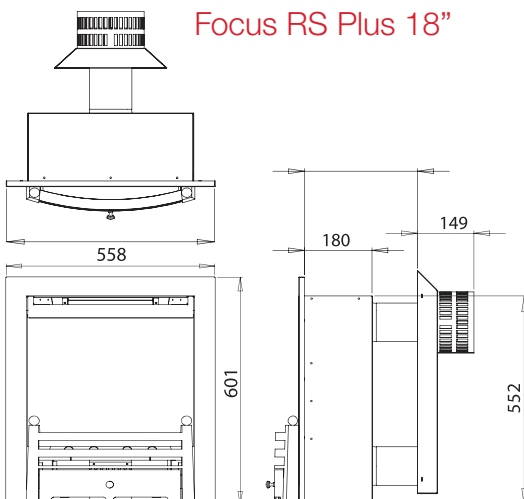
Focus HE/Focus HE 18" *



Focus RS Plus

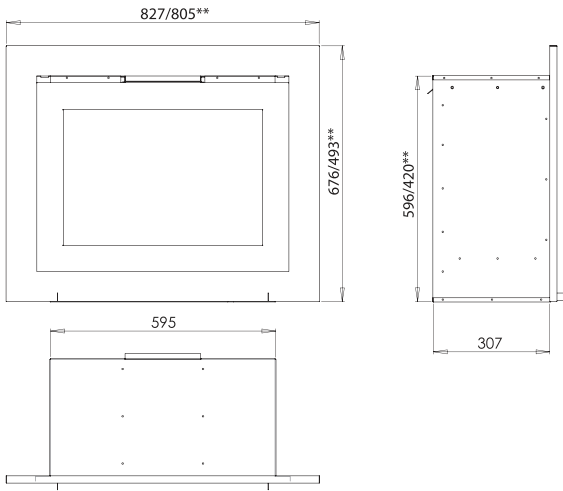


Focus RS Plus 18"

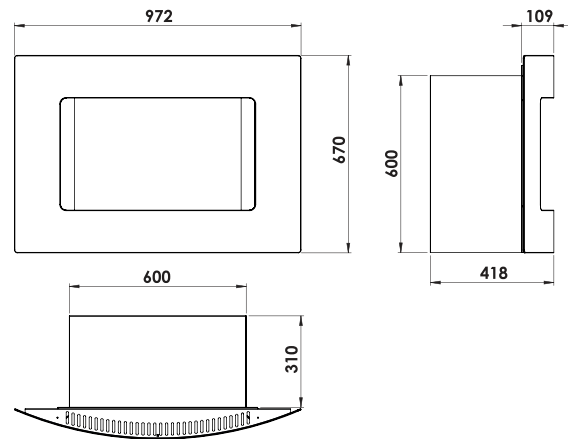


For expert advice and new product information follow us on facebook: www.facebook.com/cJfires

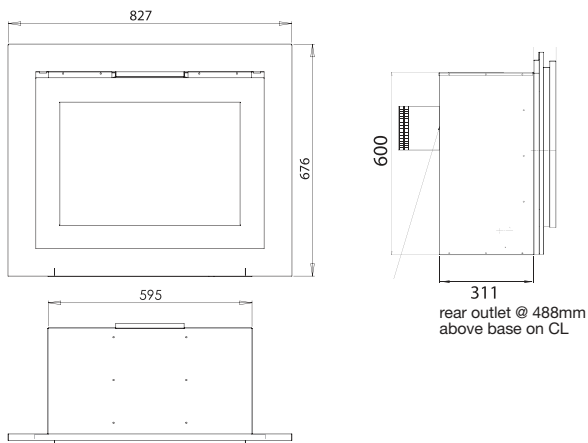
Symphony CF/Quartet CF**



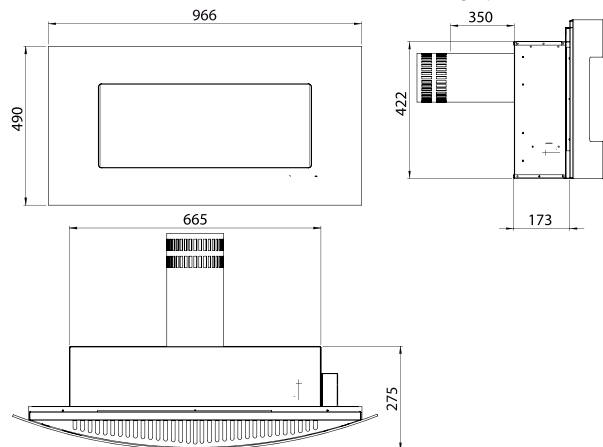
Symphony CF glass trim



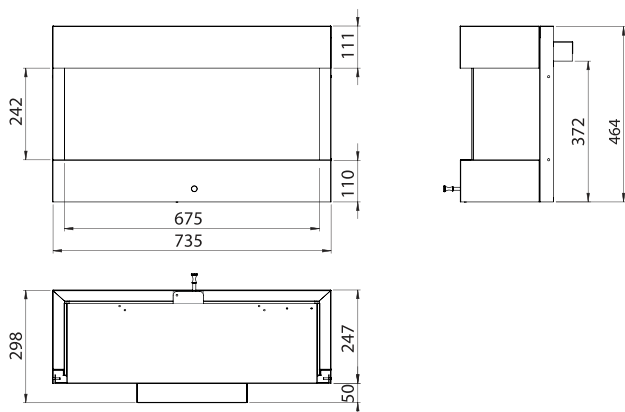
Symphony BF



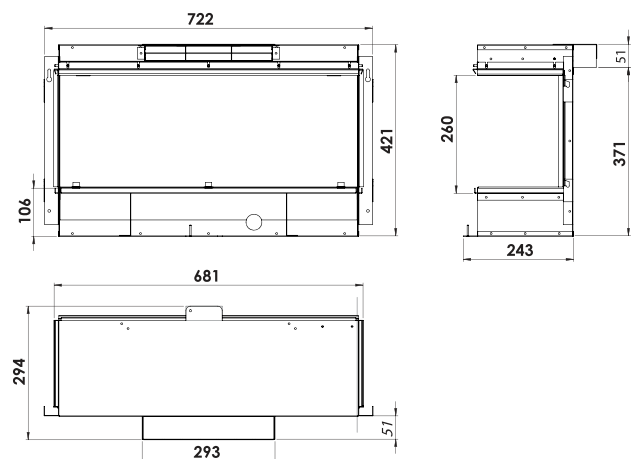
Quartet CF glass trim



P6 Series with fascia

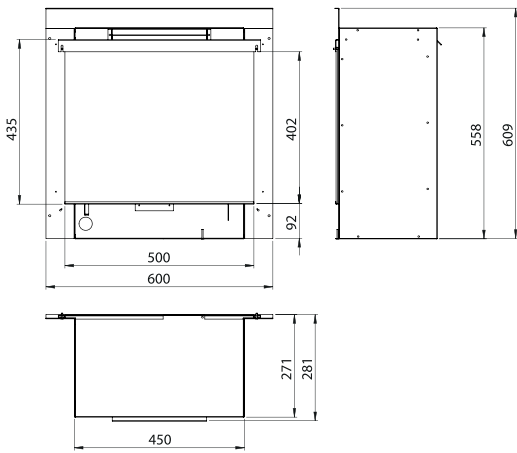


P6 Series with firebox

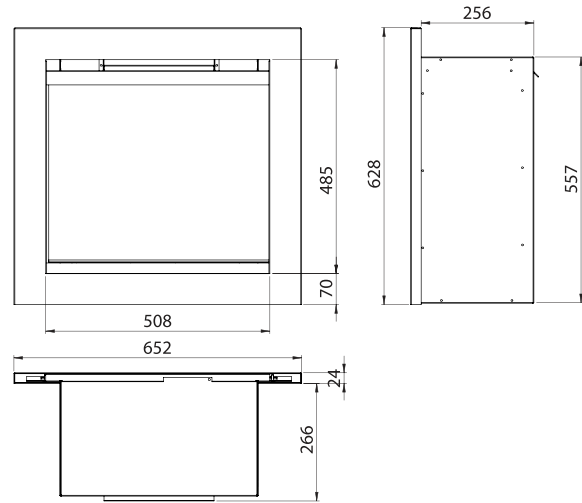


Glass fronted

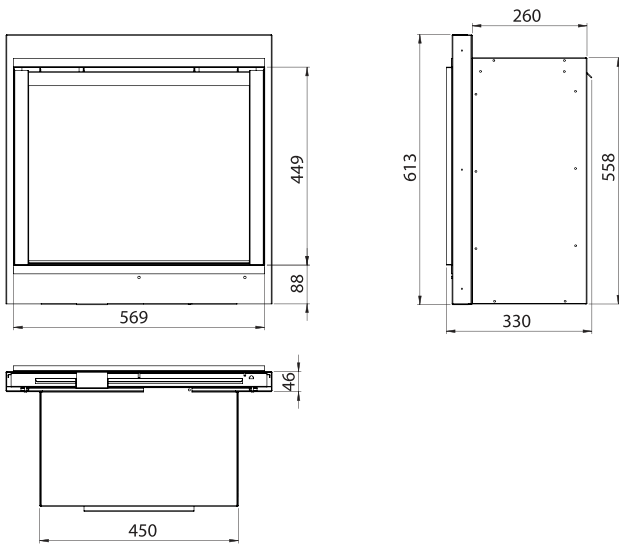
P4 Series hole-in-the-wall



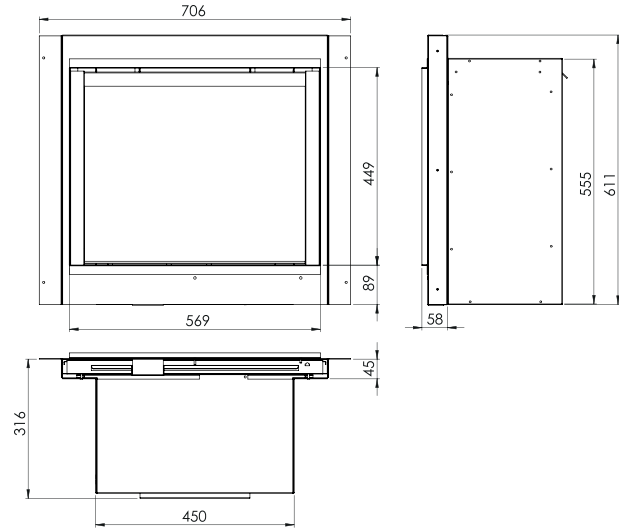
P4 Series with 4-sided trim



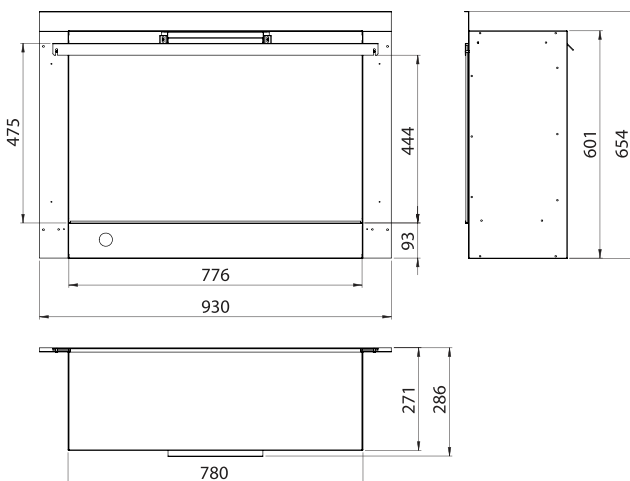
P4 Series with fireplace frame



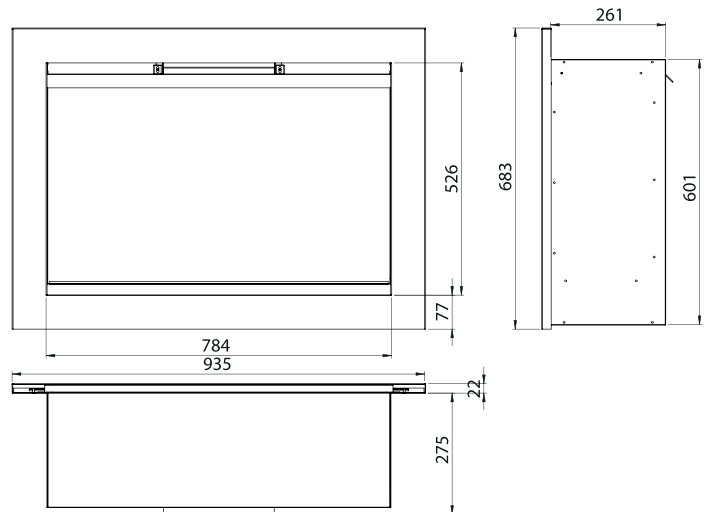
P4 Series with slip fixing bracket



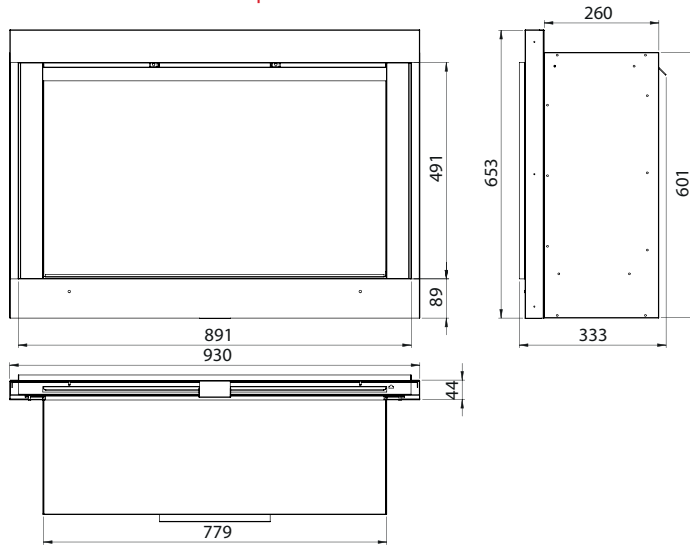
P8 Series hole-in-the-wall



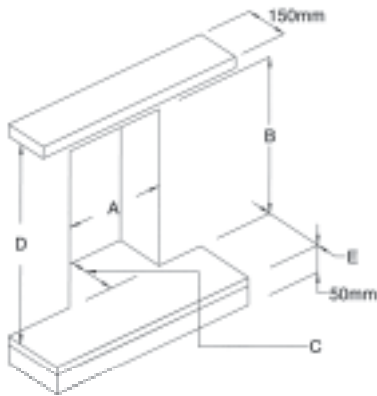
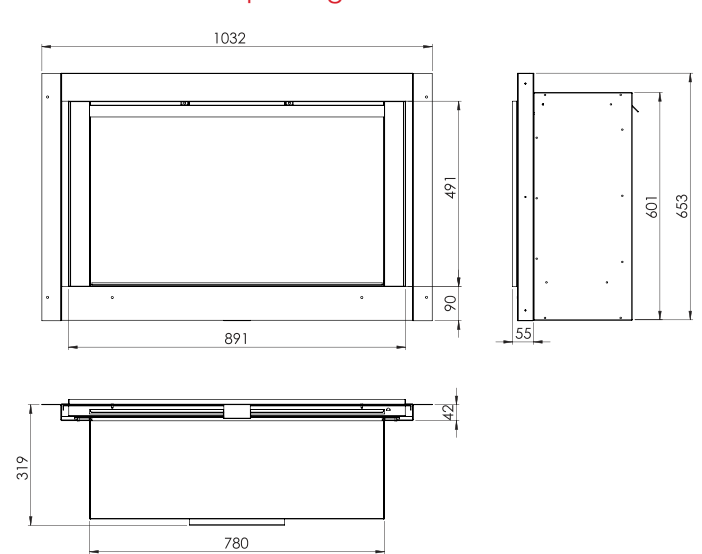
P8 Series with 4-sided trim



P8 Series with fireplace frame



P8 Series with slip fixing bracket



Heat Inputs, Outputs and Efficiency

Model	high	Input		Net Efficiency (%)	Output (upto)	
		NG (kW)	LPG (kW)		NG (kW)	LPG (kW)
Focus HE Slimline	H	4.2	N/A	77	3.0	N/A
Focus HE Multi-Flue	H	4.8	N/A	80	3.5	N/A
Focus HE	H	5.5	5.1	82	4.4	4.0
Focus HE 18"	H	5.7	N/A	82	4.2	N/A
Focus RS Plus *	H	5.4	4.9	85	4.3	3.9
Focus RS Plus 18" *	H	5.2	N/A	85	3.9	N/A
Quartet CF	H	4.2	N/A	79	3.0	N/A
Symphony CF	H	5.5	N/A	80	4.0	N/A
Symphony BF *	H	5.0	N/A	90	4.5	N/A
P4 Series **	H	5.5	N/A	82	4.05	N/A
P4 Series †	H	5.5	N/A	82	4.05	N/A
P8 Series **	H	6.6	N/A	81	4.8	N/A
P8 Series †	H	6.6	N/A	81	4.8	N/A
P6 Series	H	5.5	N/A	82	4.1	N/A

Measurements All dimensions in mm

	A	B	C	D	E	
Max opening width	440	360	575	547	140	630
Min opening width	360	370	575	555	260	730
Max opening height	575	575	580	560	320	730
Min opening height	547	555	560	320	730	100
Min opening depth	140	260	320	730	100	150
Min height for combustible shelf	630	730	730	730	100	150
Min hearth depth	100	100	100	100	100	100
Min height from floor for no hearth	50	150	150	150	150	150

Our conventional flued fires are all tested to BS7977-1 2009 + A1 2013. This is the current standard at time of print.

* These fires are tested to EN613 -2001 which is the current standard for balanced flue fires at time of print.

**Fireplace & 4-sided frame.

† Marble slips.

Choosing the right fire for your lifestyle

Current gas safety regulations stipulate that any gas installation must be carried out by a Registered Gas Safe engineer. Your Paragon authorised dealer will be able to advise you on which model will best suit your home, what options are available and how to choose your Gas Safe registered fitter.

Our network of nationwide dealers is here to help you to enjoy the experience of owning a living flame gas fire.

Due to the vast number of varying flue types, your existing fire may need to be removed to confirm your flue and product suitability.

Typical flue types



Chimney

A **brick chimney (Class I)** is recognised by a chimney stack with accompanying terracotta pot or gas terminal. Internal dimensions are usually either 9" x 9" (229 x 229mm) square or 8" – 9" (229 – 254mm) round cross-section.



Pre-fabricated flue

A **pre-fabricated flue (Class II)** has a metal flue and terminal. The internal dimensions are usually 5" (125mm) or greater round cross-section.



Pre-cast flue

A **pre-cast flue** can be identified by a ridge vent or metal flue tube and terminal. The internal dimensions vary but most Paragon fires will operate on 13500mm² or greater cross-section pre-cast flues in good working order.



No chimney or flue

No chimney or flue – if you have nothing on your roof, you probably have no chimney or flue. In this case, a **balanced flue** will usually suit this situation when positioned on a suitable outside wall.



Standard fan cover

Standard fan cover – Power flue fires have a flue pipe coming out of the outside wall and the fan cover is used to make this safe.



The Heatsaver fan cover

Heatsaver fan cover – The optional Heatsaver fan cover is an interlocking electro-mechanical device that greatly reduces airflow into the flue when the fire is turned off.

Note: All chimneys and flues should be regularly checked for debris and efficiency and swept where appropriate. Chimneys and flues, even if properly constructed, can suffer from unexpected problems that cannot always be detected prior to installation. For this reason, the smoke test outlined in the fitting instructions must always be completed prior to and after installation of any gas fire.

Flue type compatibility



Model	Pre-cast	Class I	Class II	Balanced	Turbo
Paragon One	X	✓	✓	X	X
Convector P1	X	✓	✓	X	X
2000 Plus	✓	✓	✓	X	X
2000 Extra	✓	✓	✓	X	X
Turbo 2000 Plus	X	X	X	X	✓
2000 Low Lintel	✓	✓	✓	X	X
Slimline 3	✓	✓	✓	X	X
Quality Inset Trays	X	✓	✓	X	X
Shelf Burners	X	✓	✓	X	X
Focus HE Slimline	✓	✓	✓	X	X
Focus HE Multi-Flue	✓	✓	✓	X	X
Focus HE	X	✓	✓	X	X
Focus HE 18"	X	✓	✓	X	X
Focus RS Plus	X	X	X	✓	X
Focus RS 18"	X	X	X	✓	X
Quartet CF	X	✓	✓	X	X
Symphony CF	X	✓	✓	X	X
Chorus CF	X	✓	✓	X	X
Symphony BF	X	X	X	✓	X
P4 Series	X	✓	✓	X	X
P8 Series	X	✓	✓	X	X
P6 Series	✓	✓	✓	X	X



All Paragon gas fires are manufactured under a BS EN ISO 9001 quality system (registration number 5195), which covers all areas of product design, development, manufacture and service.



PARAGON®

A World of heat you can rely on

Paragon Fires, A division of Charlton & Jenrick Ltd,
Unit D, Stafford Park 2, Telford, Shropshire TF3 3AR
Tel: 0845 519 5991 **e-mail:** sales@paragonfires.co.uk

www.paragonfires.co.uk

Mantels supplied by Katell and Fireline



@cJfires



www.facebook.com/cJfires

Please note: Our policy is one of constant development and improvement. Paragon Fires therefore reserves the right to revise the specification and design of its fires without formal notice. This leaflet is presented as a guide to aid in your decision and does not replace the need for technical assessment by your dealer. Whilst the utmost care is taken in preparation of this leaflet, it is not intended to replace the installation manual which provides more detailed information. Photography is for illustration purposes only and does not replace the need to see the fire in a showroom. We accept no liability for any loss or damage arising either directly or indirectly from the use of this leaflet.